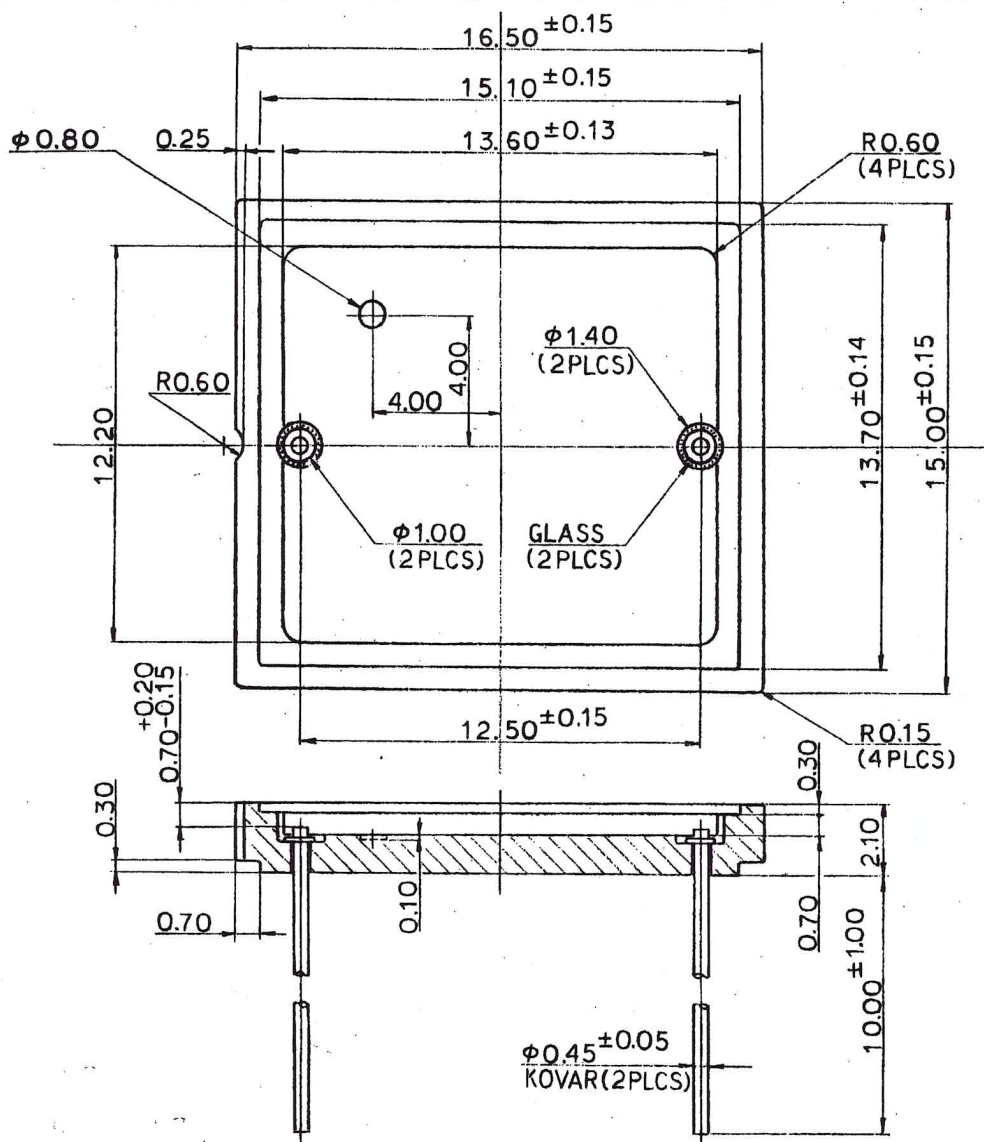


SSM P/N HYB00201



NOTES.

1. RADIUS OF CORNERS TO BE 0.20 MAX. UNLESS OTHERWISE SPECIFIED.
2. GOLD PLATED 1.50 μ MIN.

MODIFICATIONS						
CHANGE			DATE	DRAWN	CHECKED	APPROVED

COMPANY		DWG. No.			
NAME 16.5 x 15 CERAMIC STEM		TOLERANCES :		DRAWN	CHECKED
SCALE	MATERIAL	UNLESS OTHERWISE SPECIFIED		APPROVED	DATE
5/1	KYOCERA S-211 (BLACK)	± 0.10		S. Genoo, Jono	DEC. 12 '88
KYOCERA CORPORATION KYOTO JAPAN			DWG. No. KM-1017		



