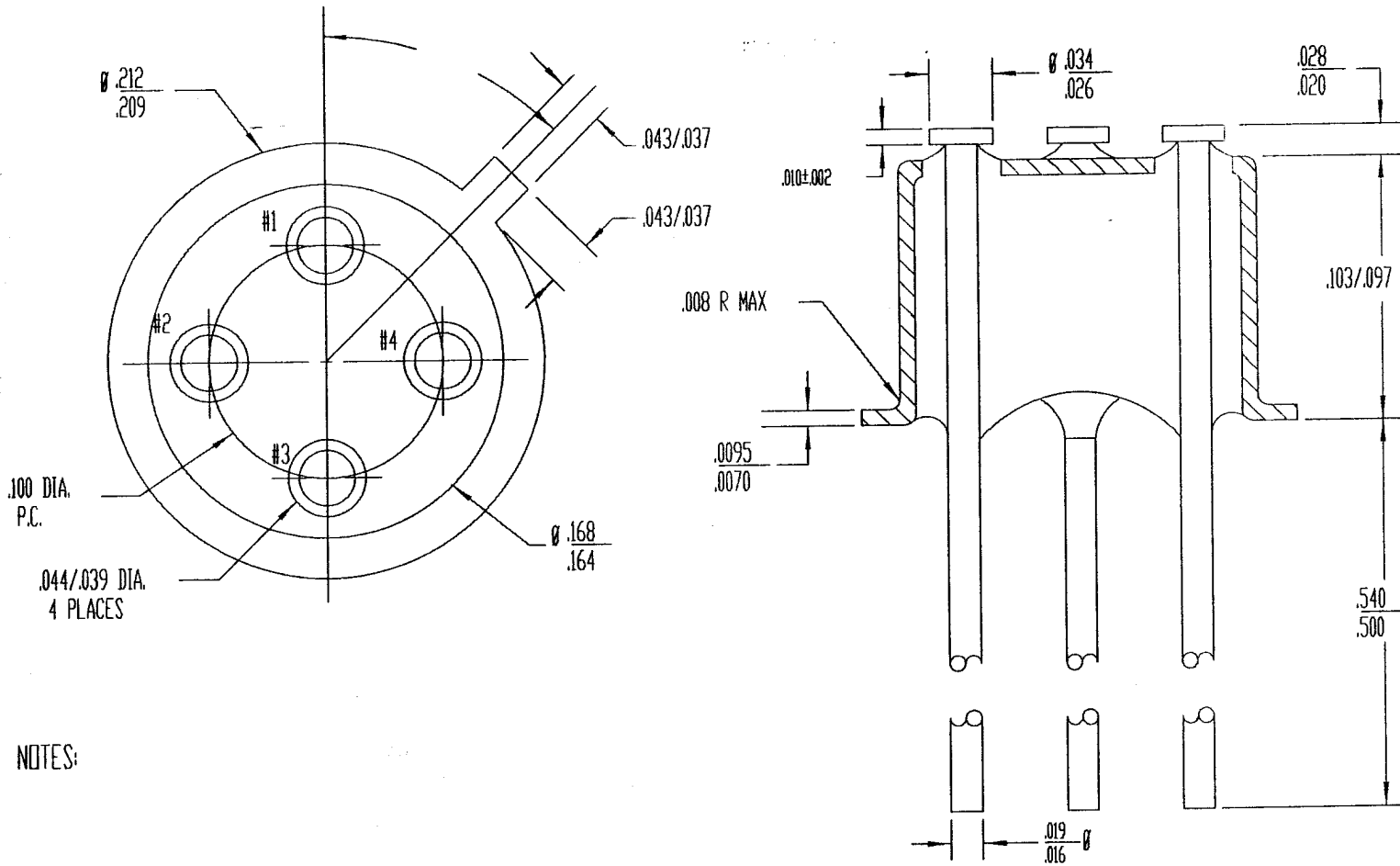


SSM P/N HDR01832



NOTES:

MATERIAL: BODY: KOVAR ASTM F-15 LEADS: KOVAR GLASS: MATCHED	TOLERANCES	DR. JWP	ELECTRONIC PRODUCTS, INC. NEWBURYPORT, MA. TELE: 978-462-8101 FAX: 978-462-4071	
	.XX \pm .02	DATE 11.17.99		
FINISH:	.XXX \pm .003	SCALE	TITLE TO18, 4 NH LEADS, POST .028/.020	
	ANGLES $\pm 1/2$ DEG	CK		
		APPR		
		PART NO. 01018-043	REV. A	



SPECTRUM
SEMICONDUCTOR MATERIALS, INC.

www.spectrum-semi.com Phone: 408-435-5555 Fax: 408-435-8226