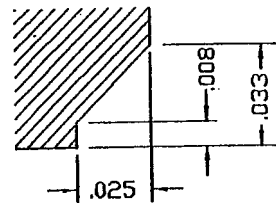
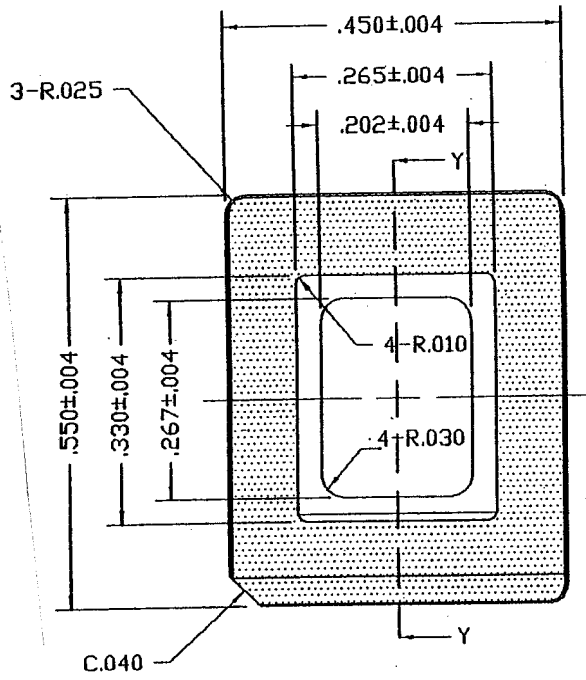


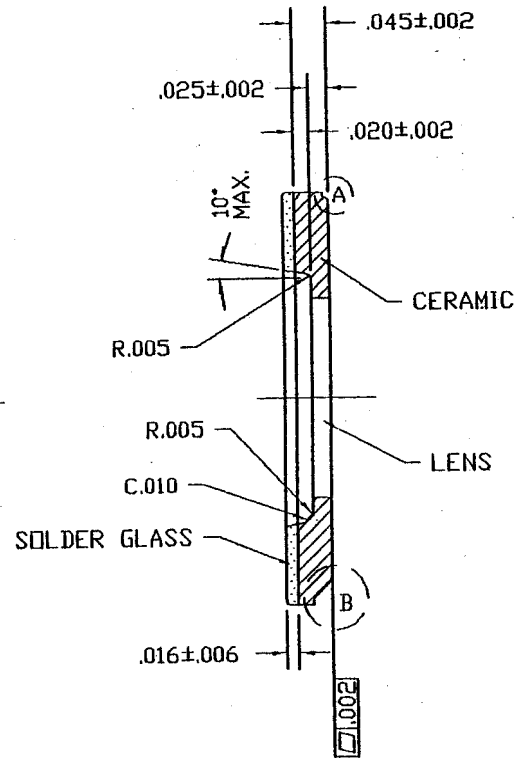
SSM P/N CQC03208

NOTES:

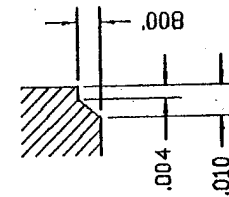
1. INTERPRET DRAWING PER DOD-STD-100.
2. MATERIAL: BLACK ALUMINA 90%
3. SOLDER GLASS TO BE KC700 DR T187BF
4. CAVITY TO BE BARE CERAMIC.



DETAIL B



SECTION Y-Y



DETAIL A

UNLESS OTHERWISE SPECIFIED		DESIGNED BY	DATE
ALL DIMENSIONS ARE IN INCHES		DRAWN	DATE
DIMENSIONS UNLESS OTHERWISE SPECIFIED		CHK'D BY	DATE
REVISION	DATE	APPROVED BY	DATE
MATERIAL		BY CHECKED BY	DATE
FINISH		TITLE: 32 LD CERQUAD CAP 265 X 330	
SCALE: 5 X 1		SIZE: A	REV: 51-30193
		SHEET 1 OF 1	