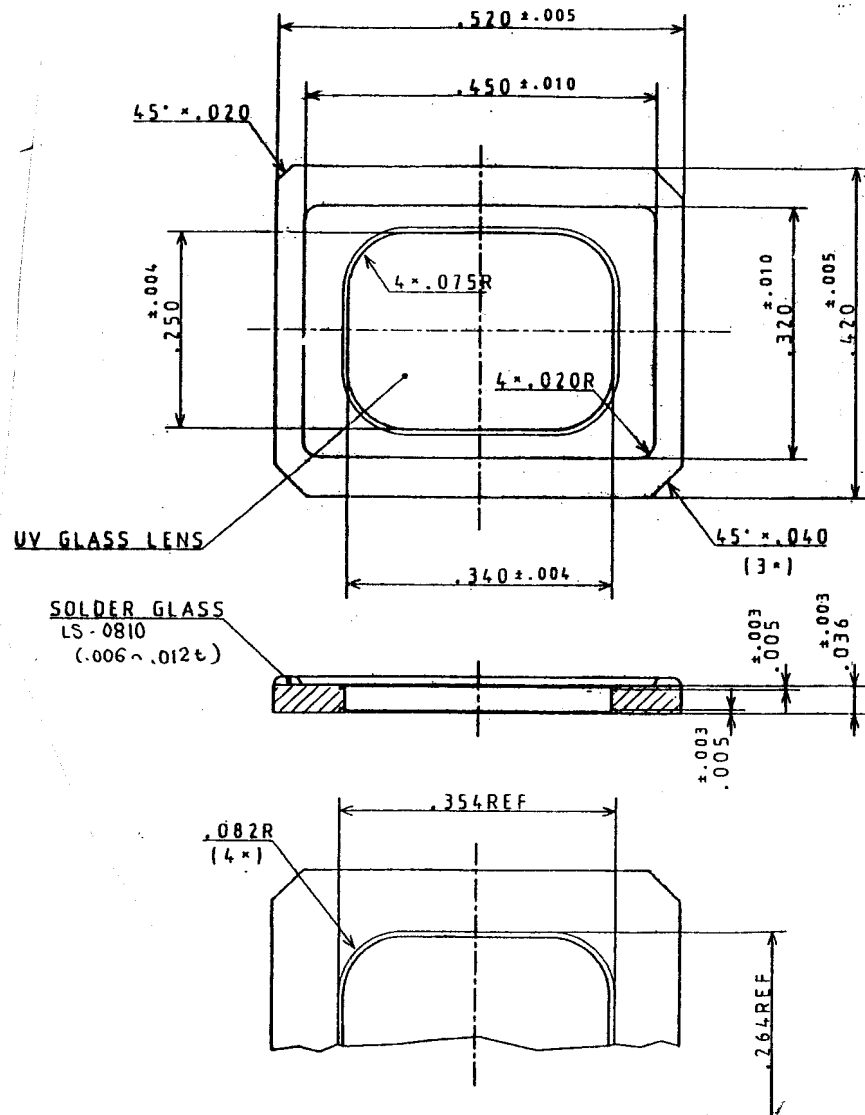
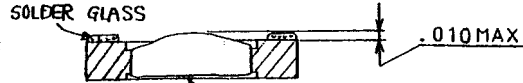



SSM P/N CQC03204



NOTES:

1. GLASS LENS TO TRANSMIT 60% MIN OF 2537Å UV LIGHT.
2. GLASS LENS PROTRUTION.


THE LENS MUST NOT PROTRUDE ABOVE THE TOP SURFACE OF THE CAP.
3. THERE WILL BE A MAX OF 5 BUBBLES OF FOREIGN MATERIAL $>.005$ ALLOWED IN THE AREA WITHIN $.015$ FROM THE OUTSIDE EDGE.
4. SOLDER GLASS MOISTURE: 5000PPM MAX.
5. NTK SPEC YS-1004 SHALL APPLY.
6. SOLDER GLASS PULL BACK AT $.010 \text{ MAX}$ FROM CERAMIC EDGE.
7. SOLDER GLASS CONDITION: OVER MELT.

•	NEW DRAWING	5-19-99
Rev.	Description	Date
 TECHNICAL CERAMICS NGK SPARK PLUG CO., LTD		
TITLE		
EPROM LID		
DWG NO.	U-5064-01CL	SIZE
		A-3