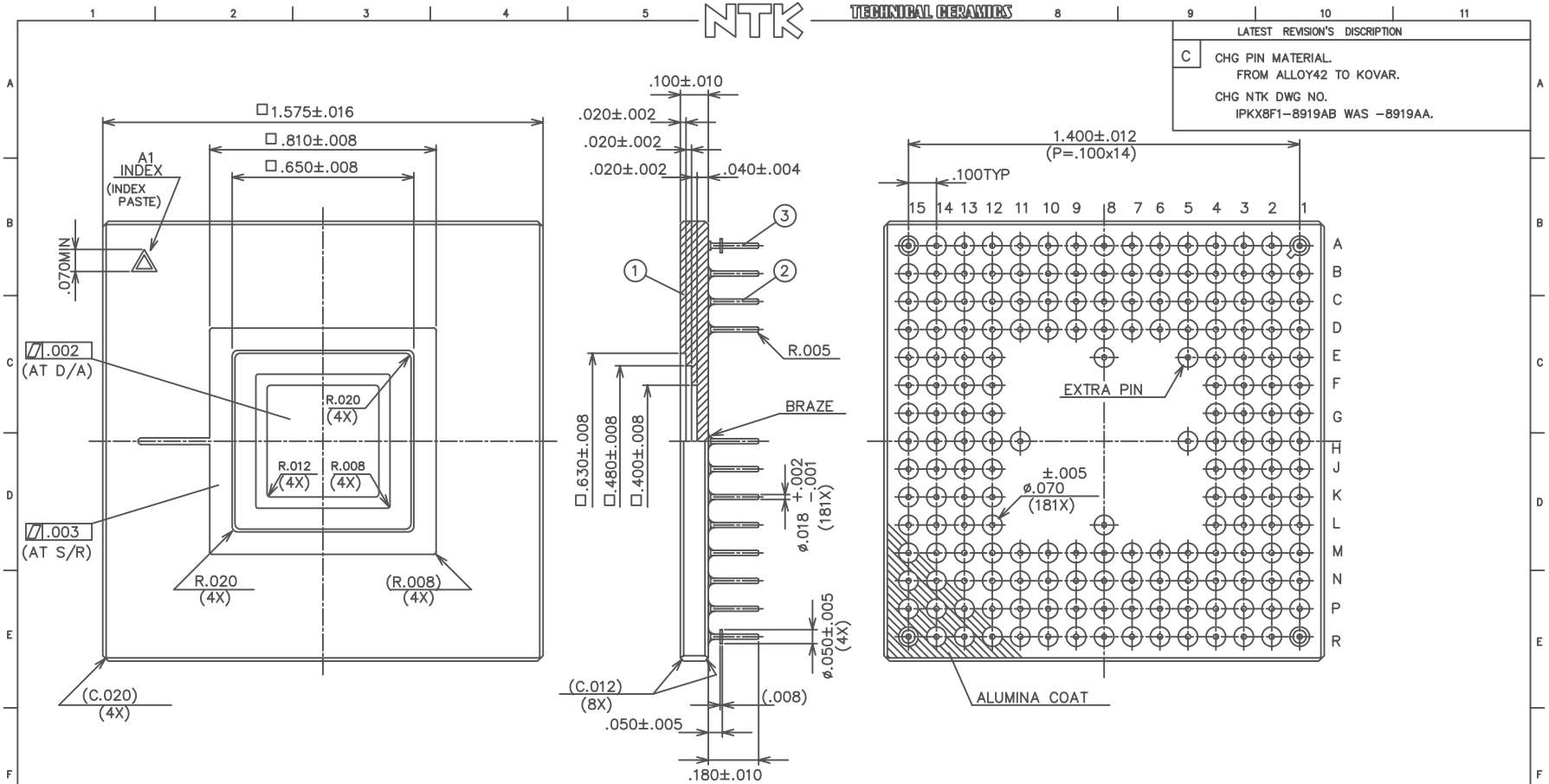


LATEST REVISION'S DISCRPTION  
**C** CHG PIN MATERIAL FROM ALLOY42 TO KOVAR.  
 CHG NTK DWG NO. IPKX8F1-8919AB WAS -8919AA.



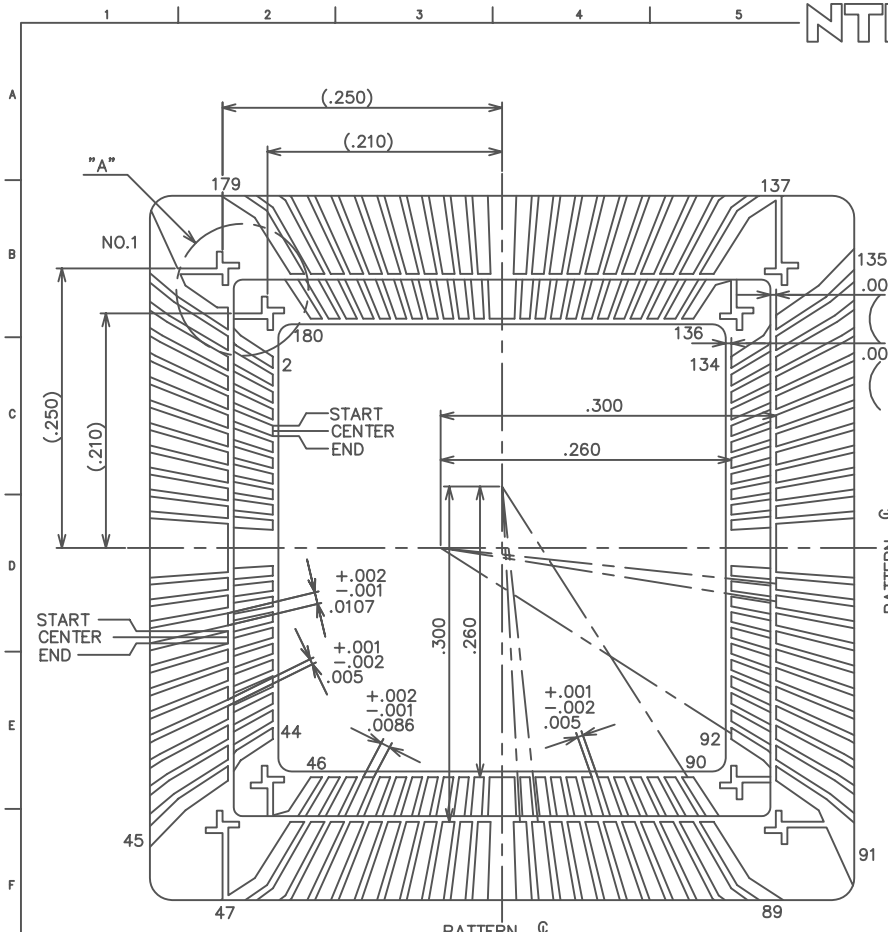
- NOTES: 1. GOLD PLATE 60? INCHES MIN OVER 50? INCHES MIN NICKEL.  
 2. LEAD RESISTANCE NO.1,23,46,68,91113,136,138,158----- 150m? MAX ALL OTHERS ----- 800m? MAX  
 3. SEAL RING AND DIE ATTACH PAD TO BE FROATING FROM ANY PINS.  
 4. EXTRA PIN (E5) TO BE ELECTRICALLY CONNECTED TO THE E4 PIN.

MODIFIED DWG NO.	1	2	3	4	5	6	7	8
------------------	---	---	---	---	---	---	---	---

3	STAND OFF PIN	KOVAR		C	RE DRAWING	DEC-22-1993
2	PIN	KOVAR		B	RE DRAWING	NOV-20-1992
1	CERAMIC	BLACK ALUMINA		A	RE DRAWING	JAN-19-1988
				Ø	NEW DRAWING	AUG-23-1987
Item	N o m e	Material	Description	Rev.	Description	Date
UNLESS OTHERWISE SPECIFIED TOLERANCES: € 1% N.L.T. 2 DECIMALS .XX .001 3 DECIMALS .XXX.XXX			DRAWN K.HANAI	<b>NTK TECHNICAL CERAMICS</b>		
			CHECKED	<b>NGK SPARK PLUG CO.,LTD</b>		
CUSTOMER			APPROVED	TITLE		
DWG NO.			UNIT INCH	DRAW NO.		SIZE A-2 (C)
			SCALE	IPKX8F1-8191AB		
PART NO.				SHEET 1 OF 3		



C CHG NTK DWG NO.  
IPKX8F1-8191AB WAS -8191AA.



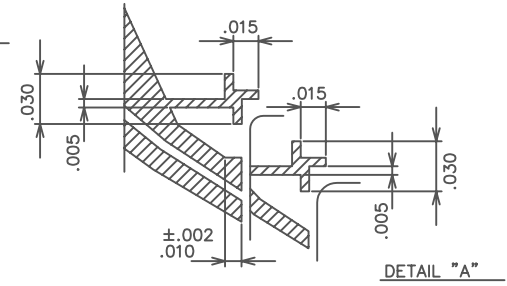
INNER CAVITY

B/G ANGLE	B/F			B/F NO.
	CENTER	START	END	
0.000	.0000	.0111	.0111	68,158
4.492	.0204	.0161	.0247	22,24,66,70,112,114,156,160
7.477	.0341	.0298	.0385	20,26,64,72,110,116,154,162
8.446	.0479	.0436	.0523	18,28,62,74,108,118,152,164
13.390	.0619	.0575	.0663	16,30,60,76,106,120,150,166
16.303	.0760	.0716	.0805	14,32,58,78,104,122,148,168
19.178	.0904	.0859	.0950	12,34,56,80,102,124,146,170
22.008	.1051	.1004	.1097	10,36,54,82,100,126,144,172
24.782	.1200	.1153	.1248	8,38,52,82,100,128,142,174
27.501	.1354	.1305	.1402	6,40,50,86,96,130,140,176
30.158	.1511	.1461	.1560	4,42,48,88,94,132,138,178
32.747	.1672	.1621	.1723	2,44,46,90,92,134,136,180

OUTER CAVITY

B/G ANGLE	B/F			B/F NO.
	CENTER	START	END	
0.000	.0000	.0211	.0211	22,113
2.996	.0157	.0103	.0211	67,69,157,159
5.987	.0315	.0261	.0368	21,25,65,71,111,115,155,161
8.967	.0473	.0419	.0527	19,27,63,73,109,117,153,163
11.926	.0634	.0579	.0688	17,29,61,75,107,119,151,165
14.857	.0796	.0741	.0851	15,31,59,77,105,121,149,167
17.753	.0960	.0904	.1017	13,33,57,79,103,123,147,169
20.606	.1128	.1071	.1185	11,35,55,81,101,125,145,171
23.411	.1299	.1241	.1357	9,37,53,83,99,127,143,173
26.160	.1474	.1414	.1533	7,39,51,85,97,129,141,175
28.850	.1653	.1592	.1714	5,41,49,87,95,131,139,177
31.474	.1837	.1774	.1899	3,43,47,89,93,133,137,179
34.030	.2026	.1961	.2090	1,45,91,135

B/G PADS DETAIL



C	RE DRAWING	DEC-22-1993
B	RE DRAWING	NOV-20-1992
A	RE DRAWING	JAN-19-1988
Ø	NEW DRAWING	AUG-29-1987

UNLESS OTHERWISE SPECIFIED TOLERANCES: $\pm$ 1% N.L.T. 2 DECIMALS .01 3 DECIMALS .0006.005		DRAWN K.HANAI	NTK TECHNICAL CERAMICS NCK SPARK PLUG CO.,LTD	
CUSTOMER		CHECKED	TITLE B/G PADS DETAIL	
DWG NO.		APPROVED	UNIT INCH	DRAW NO. IPKX8F1-8191AB
PART NO.		SCALE	SIZE (C)	SHEET 2 OF 3

MODIFIED DWG NO.	1	2	3	4	5	6	7	8
------------------	---	---	---	---	---	---	---	---



LATEST REVISION'S DESCRIPTION	
C	CHG NTK DWG NO. IPKX8F1-8191AB WAS -8191AA.

CONNECTION TABLE (PAD ~ PIN)

PAD	PIN	PAD	PIN	PAD	PIN	PAD	PIN	PAD	PIN	PAD	PIN
1	B1	31	M3	61	N5	91	P15	121	D13	151	C11
2	C1	32	N3	62	N6	92	N15	122	C13	152	C10
3	D1	33	J2	63	N7	93	M15	123	G14	153	C9
4	E1	34	K2	64	M8	94	L15	124	F14	154	D8
5	F1	35	L2	65	M9	95	K15	125	E14	155	D7
6	G1	36	M2	66	M10	96	J15	126	D14	156	D6
7	H1	37	N2	67	M11	97	H15	127	C14	157	D5
8	C2	38	P2	68	L8	98	N14	128	B14	158	E8
9	D2	39	J1	69	M12	99	M14	129	G15	159	D4
10	E2	40	K1	70	N8	100	L14	130	F15	160	C8
11	F2	41	L1	71	N9	101	K14	131	E15	161	C7
12	G2	42	M1	72	N10	102	J14	132	D15	162	C6
13	H2	43	N1	73	N11	103	H14	133	C15	163	C5
14	D3	44	P1	74	N12	104	M13	134	B15	164	C4
15	E3	45	R1	75	N13	105	L13	135	A15	165	C3
16	F3	46	M5	76	P8	106	K13	136	D11	166	B8
17	G3	47	M6	77	P9	107	J13	137	D10	167	B7
18	H3	48	M7	78	P10	108	H13	138	D9	168	B6
19	E4,E5	49	R2	79	P11	109	L12	139	A14	169	B5
20	F4	50	R3	80	P12	110	K12	140	A13	170	B4
21	G4	51	R4	81	P13	111	J12	141	A12	171	B3
22	H4	52	R5	82	P14	112	H12	142	A11	172	B2
23	H5	53	R6	83	R8	113	H11	143	A10	173	A8
24	J4	54	R7	84	R9	114	G12	144	A9	174	A7
25	K4	55	P3	85	R10	115	F12	145	B13	175	A6
26	L4	56	P4	86	R11	116	E12	146	B12	176	A5
27	M4	57	P5	87	R12	117	D12	147	B11	177	A4
28	J3	58	P6	88	R13	118	G13	148	B10	178	A3
29	K3	59	P7	89	R14	119	F13	149	B9	179	A2
30	L3	60	N4	90	R15	120	E13	150	C12	180	A1

Rev.	Description	Date
C	RE DRAWING	DEC-22-1993
B	RE DRAWING	NOV-20-1992
A	RE DRAWING	JAN-19-1988
Ø	NEW DRAWING	AUG-29-1987

UNLESS OTHERWISE SPECIFIED TOLERANCES: 6 1% N.L.T. 2 DECIMALS .XX @.01 3 DECIMALS .XXX@.005	DRAWN K.HANAI
CUSTOMER	CHECKED
DWG NO.	APPROVED
	UNIT INCH
	SCALE

<b>NTK TECHNICAL CERAMICS</b> <b>NGK SPARK PLUG CO., LTD</b>	
TITLE	CONNECTION TABLE
DRAW NO.	IPKX8F1-8191AB
SIZE	A-2 (C)

MODIFIED DWG NO.

PART NO. SHEET 3 OF 3

