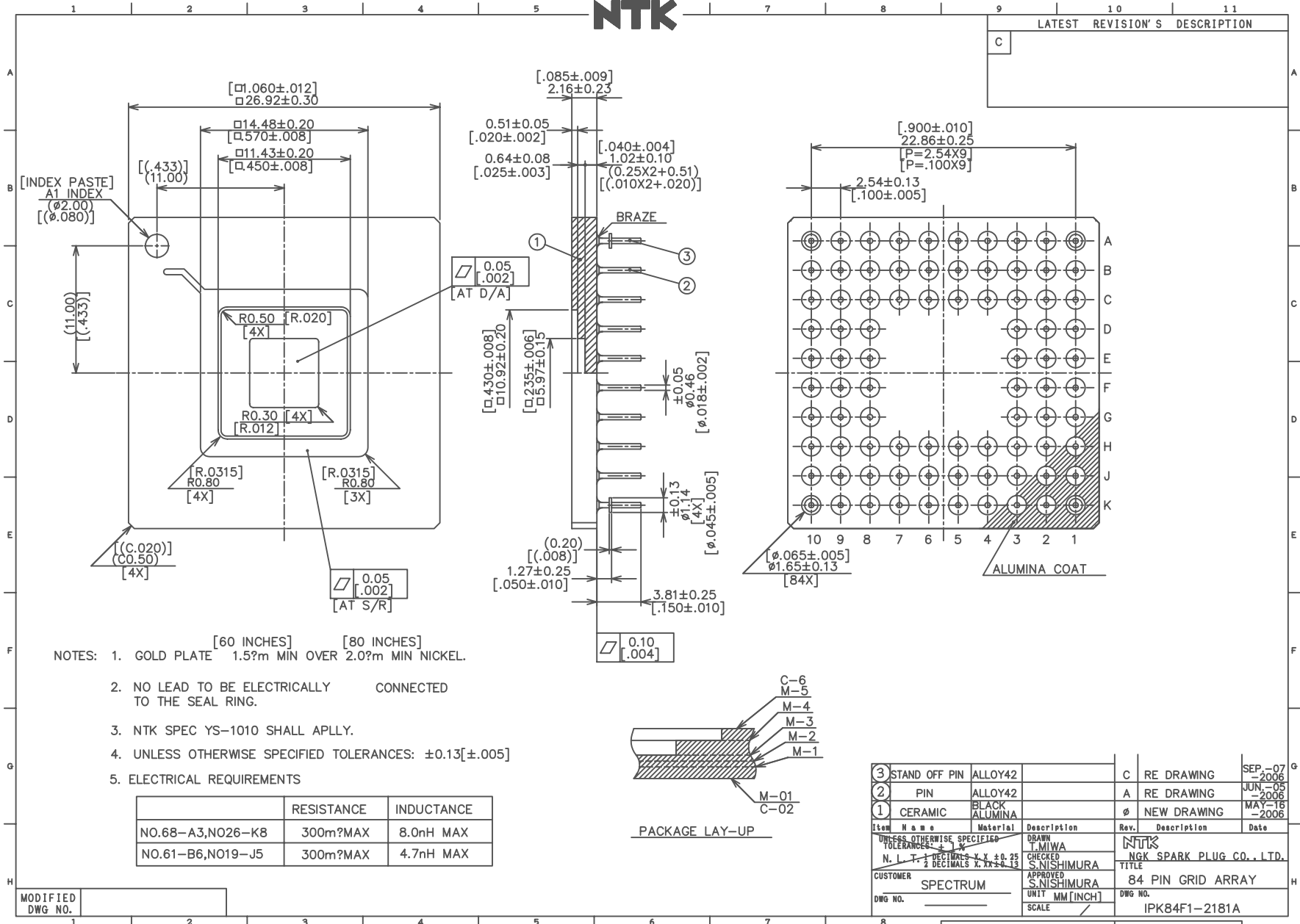


C	
---	--



- NOTES: 1. GOLD PLATE [60 INCHES] [80 INCHES]  
1.5m MIN OVER 2.0m MIN NICKEL.
2. NO LEAD TO BE ELECTRICALLY CONNECTED TO THE SEAL RING.
3. NTK SPEC YS-1010 SHALL APPLY.
4. UNLESS OTHERWISE SPECIFIED TOLERANCES: ±0.13[±.005]
5. ELECTRICAL REQUIREMENTS

	RESISTANCE	INDUCTANCE
NO.68-A3,NO26-K8	300m?MAX	8.0nH MAX
NO.61-B6,NO19-J5	300m?MAX	4.7nH MAX

3	STAND OFF PIN	ALLOY42		C	RE DRAWING	SEP-07-2006
2	PIN	ALLOY42		A	RE DRAWING	JUN-05-2006
1	CERAMIC	BLACK ALUMINA		Ø	NEW DRAWING	MAY-18-2006
Item Name		Material	Description	Rev.	Description	Date
UNLESS OTHERWISE SPECIFIED TOLERANCES: ±.13			DRAWN T.MIWA		NTK	
N. L. T. 1 DECIMALS X.X ±0.25			CHECKED S.NISHIMURA		NGK SPARK PLUG CO., LTD.	
2 DECIMALS X.XX ±0.13			APPROVED S.NISHIMURA		TITLE	
CUSTOMER SPECTRUM			UNIT MM[INCH]		84 PIN GRID ARRAY	
DWG NO.			SCALE		DWG NO.	IPK84F1-2181A

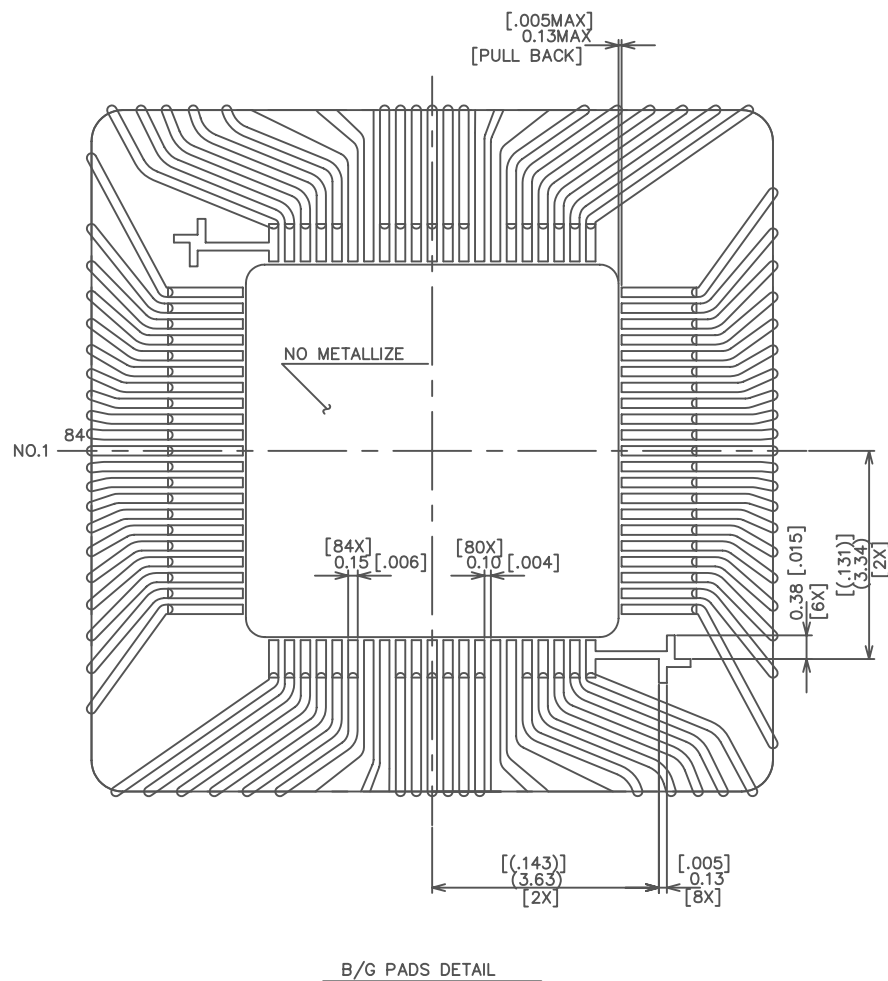
MODIFIED DWG NO.

PART NO. SHEET 1 OF 2





LATEST REVISION S DESCRIPTION	
C	



CONNECTION TABLE

PAD	PIN	PAD	PIN	PAD	PIN	PAD	PIN
1	F1	22	K6	43	E10	64	A5
2	F2	23	J6	44	E9	65	B5
3	F3	24	H6	45	E8	66	C5
4	G1	25	K7	46	D10	67	A4
5	H1	26	K8	47	C10	68	A3
6	G2	27	J7	48	D9	69	B4
7	J1	28	K9	49	B10	70	A2
8	G3	29	H7	50	D8	71	C4
9	K1	30	K10	51	A10	72	A1
10	H2	31	J8	52	C9	73	B3
11	J2	32	J9	53	B9	74	B2
12	H3	33	H8	54	C8	75	C3
13	J3	34	H9	55	B8	76	C2
14	K2	35	J10	56	A9	77	B1
15	K3	36	H10	57	A8	78	C1
16	H4	37	G8	58	C7	79	D3
17	J4	38	G9	59	B7	80	D2
18	K4	39	G10	60	A7	81	D1
19	J5	40	F9	61	B6	82	E2
20	H5	41	F8	62	C6	83	E3
21	K5	42	F10	63	A6	84	E1

B/G PADS DETAIL

Rev.	Description	Date
C	RE DRAWING	SEP-07-2006
A	RE DRAWING	JUN-05-2006
Ø	NEW DRAWING	MAY-16-2006

UNLESS OTHERWISE SPECIFIED  
 TOLERANCES: ± .1%  
 N. L. T. 1 DECIMALS X .1 ± 0.25  
 2 DECIMALS X .XX ± 0.13

DRAWN T.MIWA  
 CHECKED S.NISHIMURA  
 APPROVED S.NISHIMURA  
 UNIT MM [INCH]  
 SCALE /

NTK  
 NGK SPARK PLUG CO., LTD.  
 TITLE B/G PADS DETAIL & CONNECTION TABLE  
 DWG NO. IPK84F1-2181A

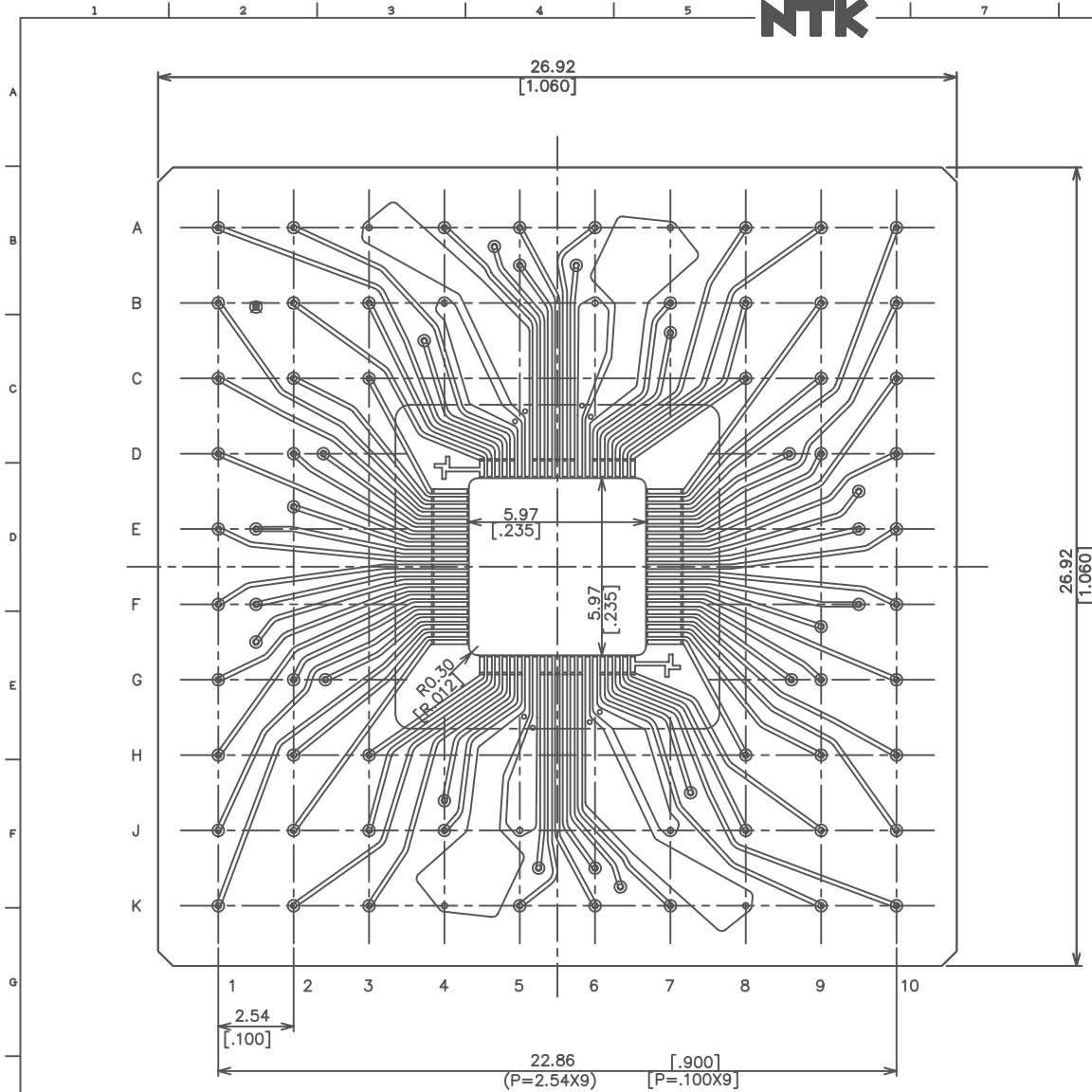
MODIFIED DWG NO. 1



**NTK**

LATEST REVISION'S DESCRIPTION

C



MODIFIED	
DWG NO.	

Rev.	Description	Date
C	RE DRAWING	SEP-07-2006
B	RE DRAWING	JUN-28-2006
A	RE DRAWING	JUN-05-2006
Ø	NEW DRAWING	MAY-16-2006

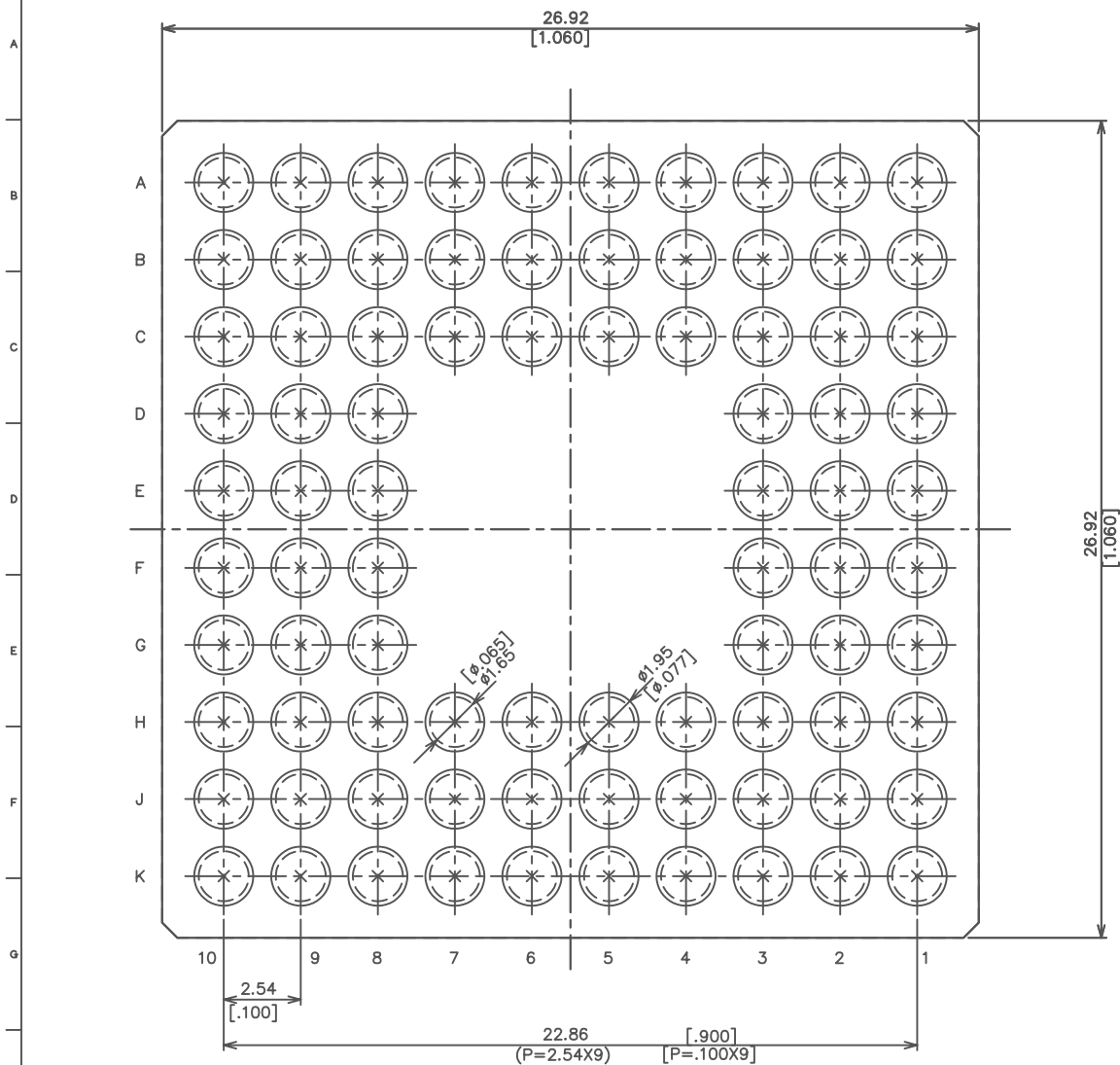
DESCRIPTION	DRAWN T.MIWA	NTK
FILE NAME pp2181a-e	CHECKED S.NISHIMURA	NGK SPARK PLUG CO., LTD.
CUSTOMER SPECTRUM	APPROVED S.NISHIMURA	M-4 PATTERN
DWG NO.	UNIT MM (INCH)	DWG NO.
	SCALE /	P-IPK-2181A-4

PART NO. SHEET OF



**NTK**

LATEST REVISION'S DESCRIPTION		
C		



Rev.	Description	Date
C	RE DRAWING	SEP-07-2006
B	RE DRAWING	JUN-28-2006
A	RE DRAWING	JUN-05-2006
Ø	NEW DRAWING	MAY-16-2006

DESCRIPTION	DRAWN	T.MIWA	NTK
FILE NAME	CHECKED	S.NISHIMURA	NGK SPARK PLUG CO., LTD.
CUSTOMER	APPROVED	S.NISHIMURA	TITLE
DWG NO.	UNIT	MM [INCH]	ALUMINA COAT
	SCALE	/	M-01 PATTERN
			DWG NO.
			P-IPK-2181A-02
			P-IPK-2181A-01

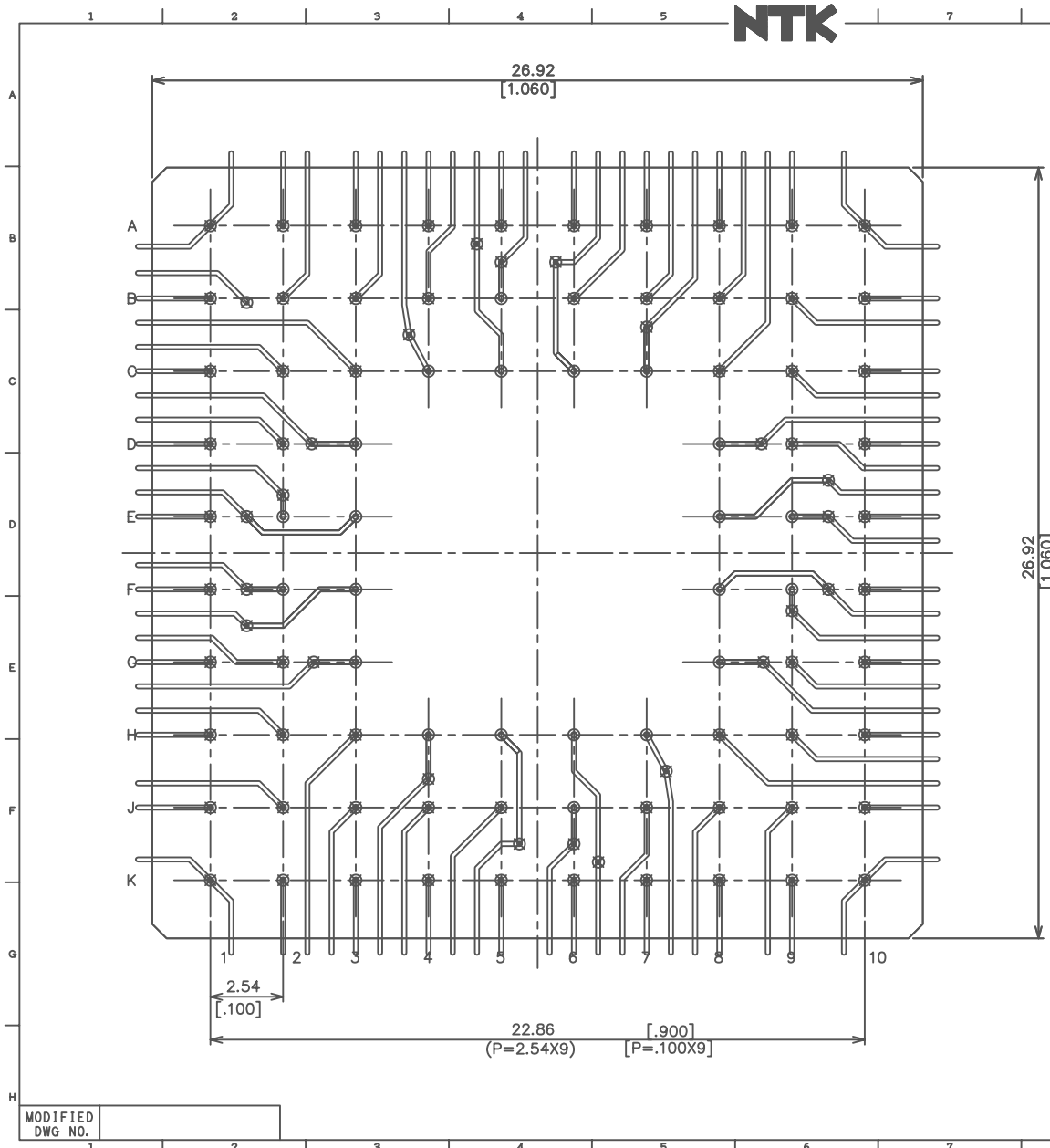
MODIFIED DWG NO.
1

PART NO. SHEET OF



NTK

9	10	11
LATEST REVISION'S		DESCRIPTION
C		



Rev.	Description	Date
C	RE DRAWING	SEP-07-2006
B	RE DRAWING	JUN-28-2006
A	RE DRAWING	JUN-05-2006
Ø	NEW DRAWING	MAY-16-2006

DESCRIPTION	DRAWN	T.MIWA	NTK
FILE NAME	CHECKED	S.NISHIMURA	NGK SPARK PLUG CO., LTD.
CUSTOMER	APPROVED	S.NISHIMURA	TITLE
DWG NO.	UNIT	MM [INCH]	M-1 PATTERN
	SCALE	/	DWG NO.
			P-IPK-2181A-1

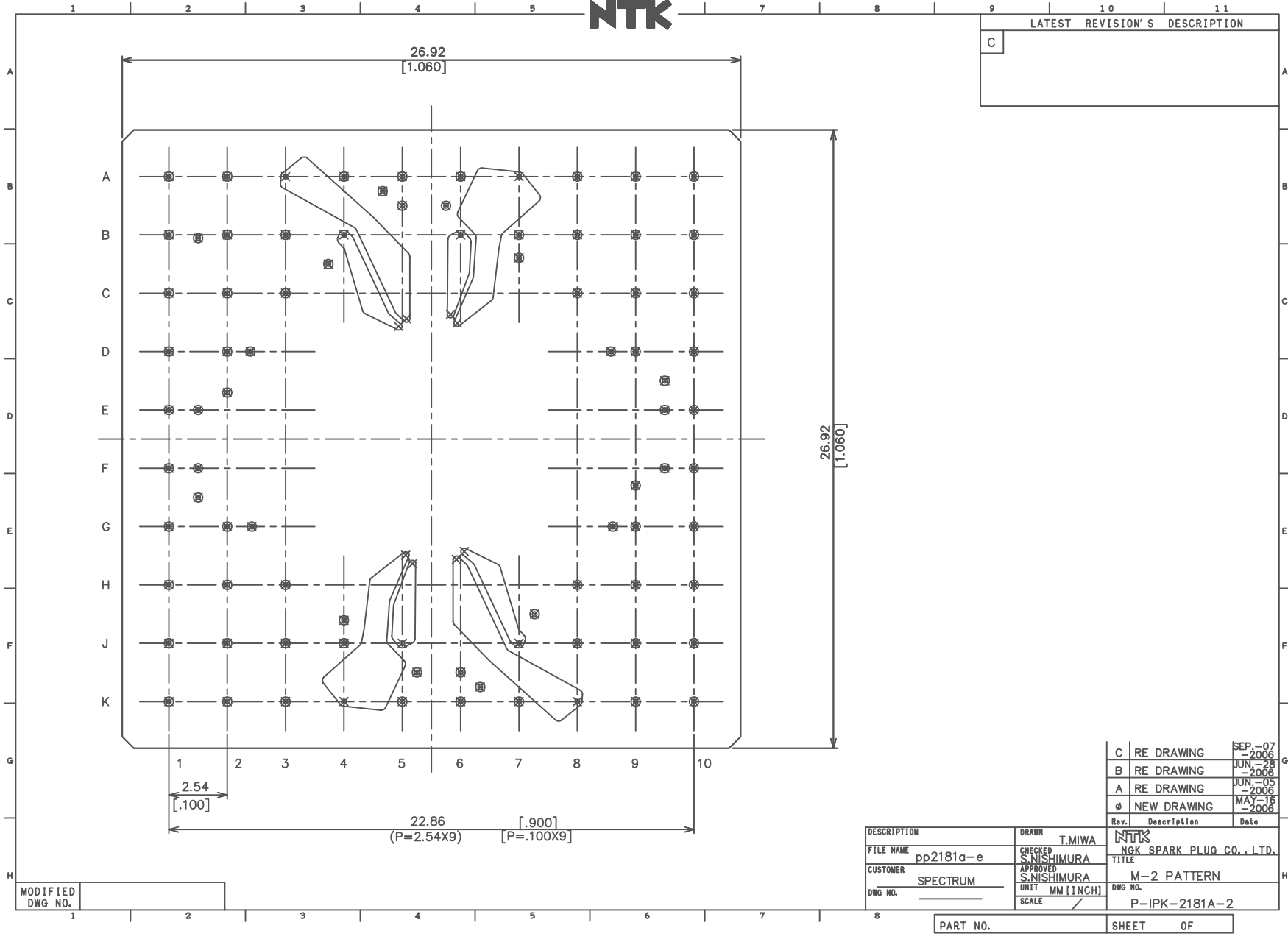
MODIFIED DWG NO.

PART NO. SHEET OF



**NTK**

REV.	DATE	DESCRIPTION
C		



REV.	DESCRIPTION	DATE
C	RE DRAWING	SEP-07-2006
B	RE DRAWING	JUN-28-2006
A	RE DRAWING	JUN-05-2006
φ	NEW DRAWING	MAY-18-2006

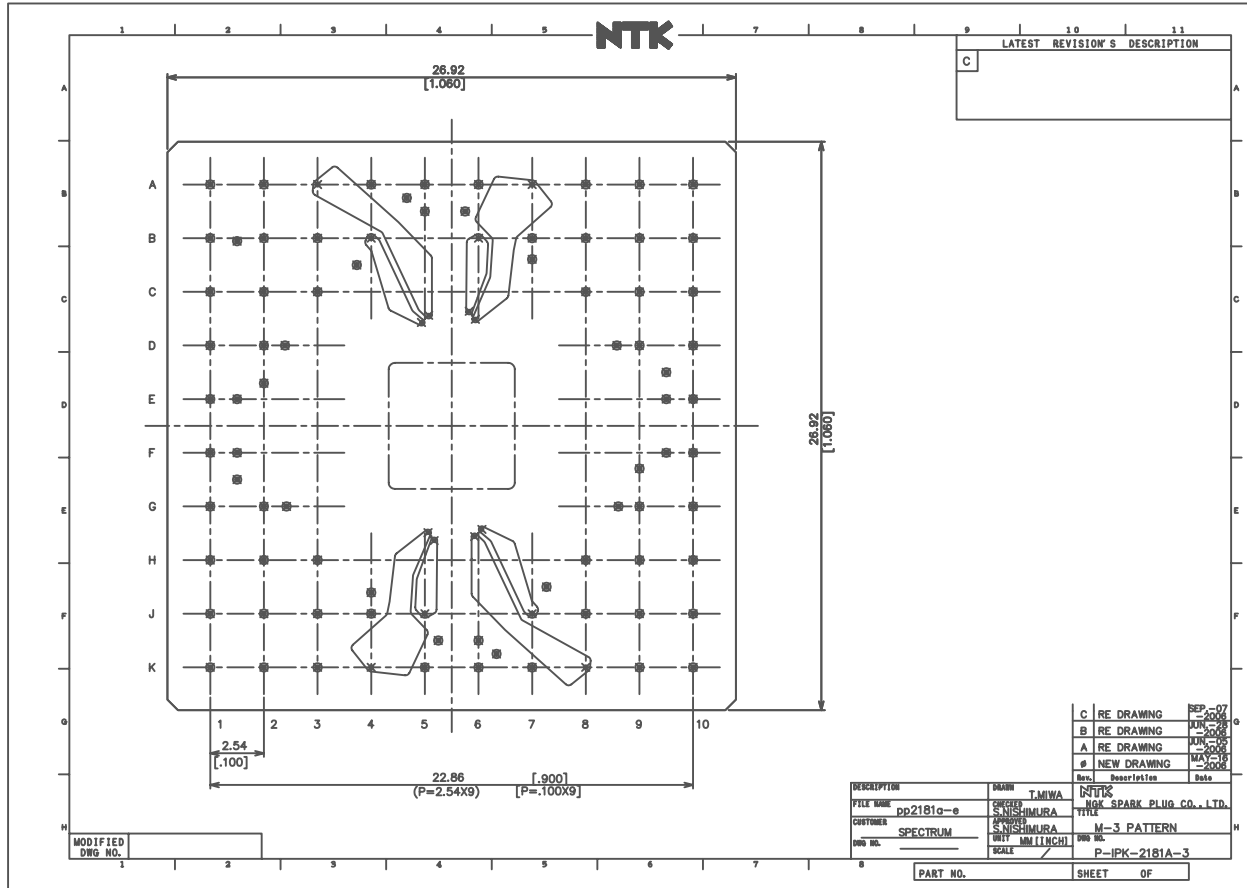
DESCRIPTION	DRAWN	T.MIWA	NTK
FILE NAME	CHECKED	S.NISHIMURA	NGK SPARK PLUG CO., LTD.
CUSTOMER	APPROVED	S.NISHIMURA	TITLE
DWG NO.	UNIT	MM [INCH]	DWG NO.
	SCALE	/	P-IPK-2181A-2

MODIFIED DWG NO.

PART NO. SHEET OF



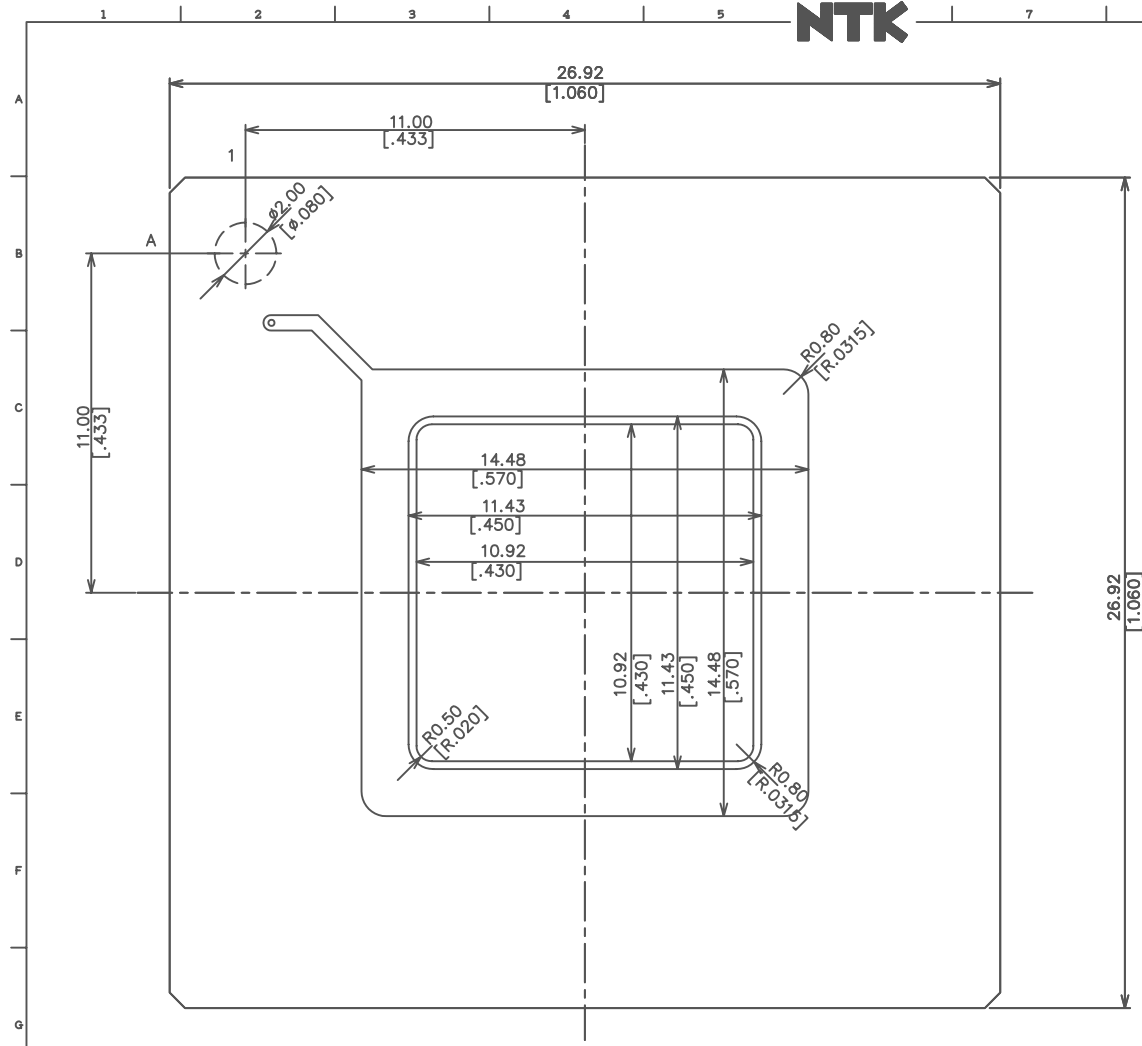
SSM P/N CPG08460



www.spectrum-semi.com Phone: 408.435.5555 Fax: 408.435.8226



LATEST REVISION'S DESCRIPTION	
C	



MODIFIED DWG NO.

Rev.	Description	Date
C	RE DRAWING	SEP-07-2006
B	RE DRAWING	JUN-28-2006
A	RE DRAWING	JUN-05-2006
Ø	NEW DRAWING	MAY-18-2006

DESCRIPTION	DRAWN	T.MIWA	NTK
FILE NAME	CHECKED	S.NISHIMURA	NGK SPARK PLUG CO., LTD.
CUSTOMER	APPROVED	S.NISHIMURA	INDEX MARK
DWG NO.	UNIT	MM [INCH]	M-S PATTERN
	SCALE		DWG NO. P-IPK-2181A-6 P-IPK-2181A-5

PART NO. SHEET OF





