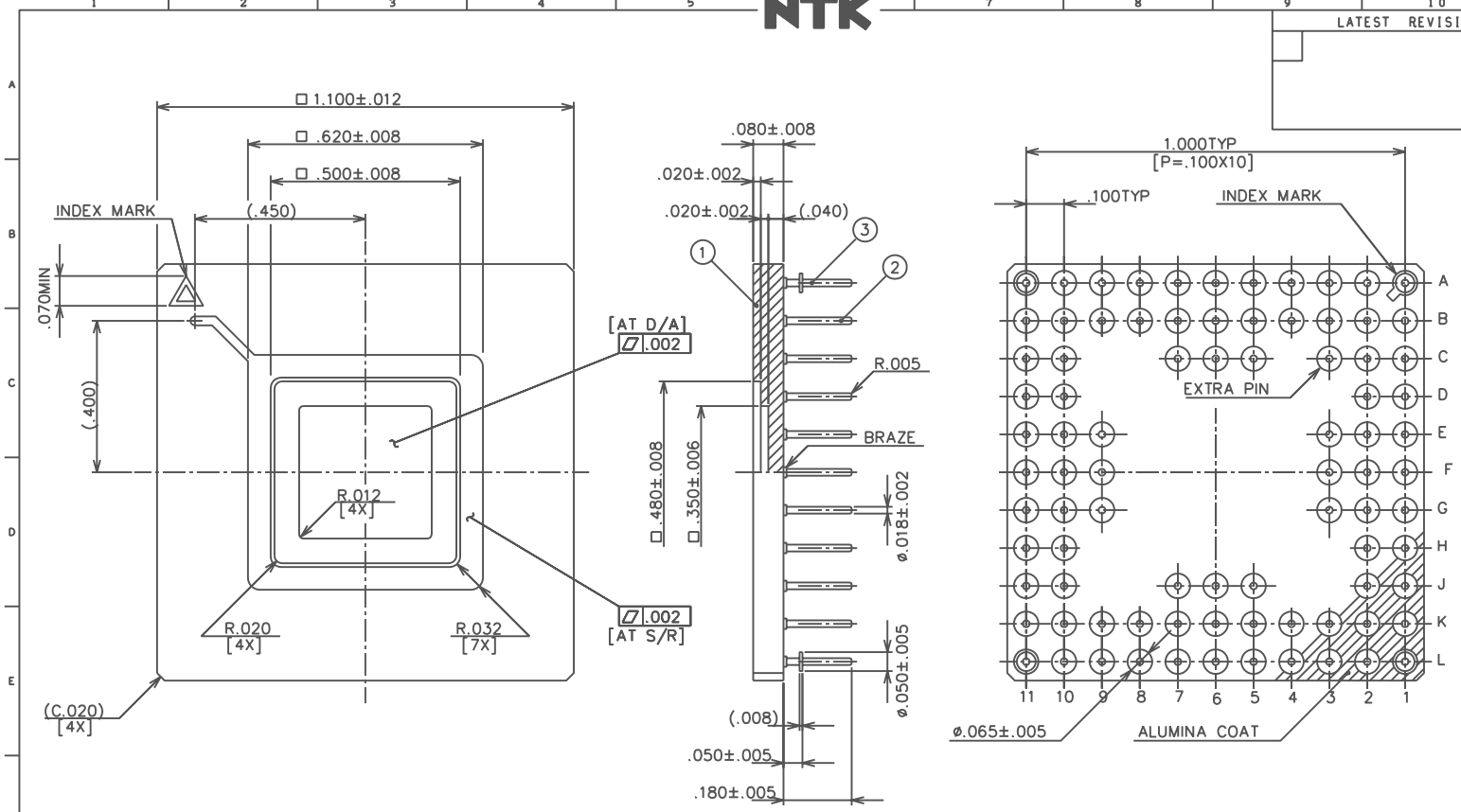


SSM P/N CPG08451

NTK

REV.	DATE	DESCRIPTION



NOTES:

- GOLD PLATE 60? INCHES MIN OVER 100? INCHES MIN NICKEL.
- NO LEAD TO BE ELECTRICALLY CONNECTED TO THE DIE ATTACH PAD. SEAL RING ISOLATED.
- LEAD RESISTANCE :
PAD NO.1,11,22,32,43,53,64,74----- 300m?MAX.
ALL OTHERS ----- 600m?MAX
- EXTRA PIN NO CONNECTED.
- SEAL AREA AND DIE ATTACH AREA TO BE METALLIZED.

MODIFIED DWG NO. IPK84F1-8396E

Item	Name	Material	Description	Rev.	Description	Date
3	STAND OFF PIN	KOVAR				
2	PIN	KOVAR				
1	CERAMIC	BLACK ALUMINA				

UNLESS OTHERWISE SPECIFIED TOLERANCES: ± 1%	DRAWN	I. TORII	NEW DRAWING	SEP.-04
N. L. T. 2 DECIMALS X, X ± 0.25	CHECKED		NTK	-1997
3 DECIMALS X, XX ± 0.13	APPROVED		NGK SPARK PLUG CO., LTD.	
CUSTOMER	SPECTRUM		TITLE	84 PIN GRID ARRAY
DWG NO.		UNIT	MM	DWG NO.
		SCALE	/	IPK84F1-8396G

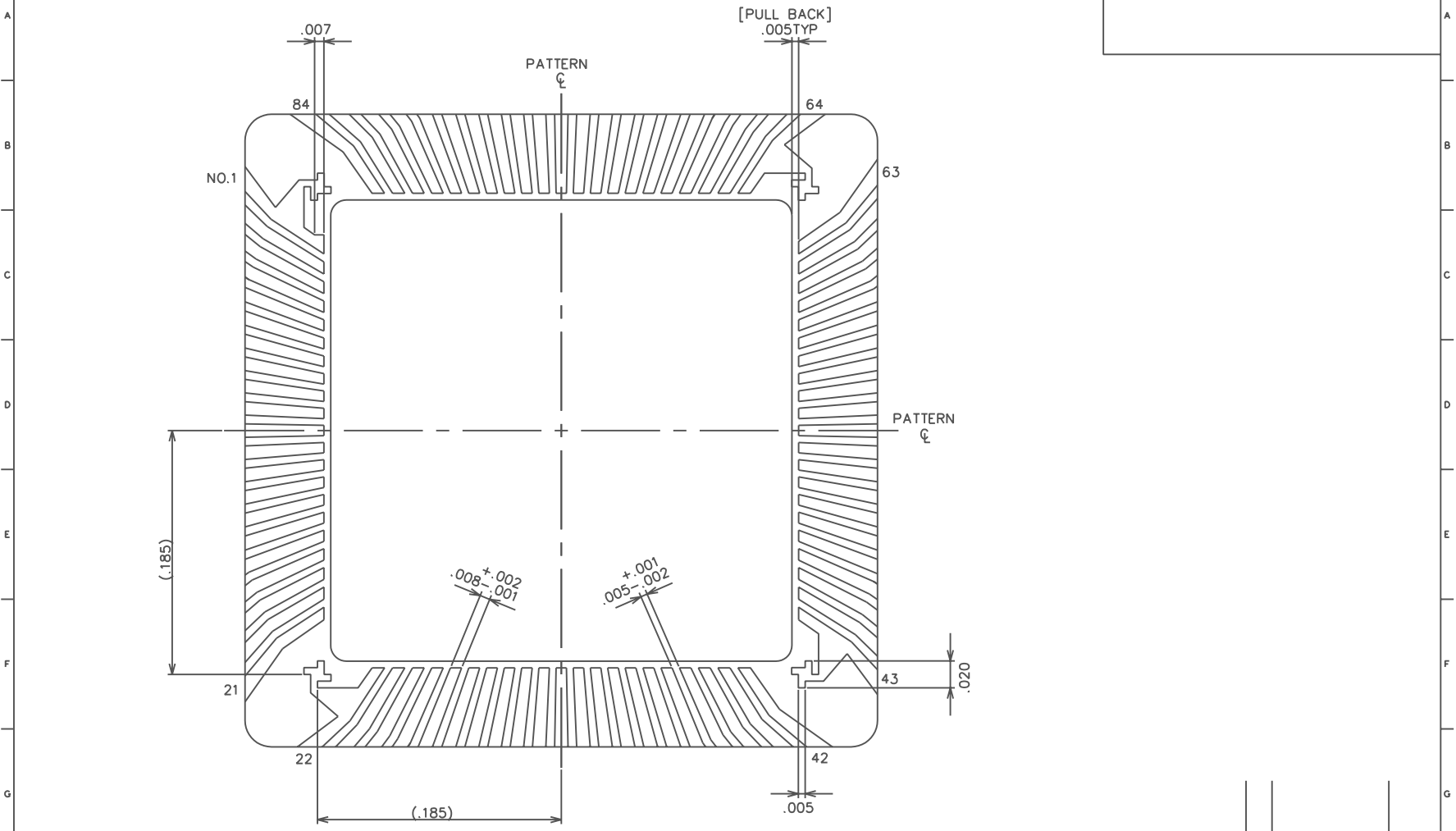
PART NO. SHEET 1 OF 4



SSM P/N CPG08451

NTK

9	10	11
LATEST	REVISION'S	DESCRIPTION



B/G PADS DETAIL

MODIFIED DWG NO. 1 IPK84F1-8396E 2

UNLESS OTHERWISE SPECIFIED TOLERANCES: ± 1% N. L. T. 2 DECIMALS X.X ± 0.25 3 DECIMALS X.XX ± 0.13		DRAWN I. TORII	NTK NGK SPARK PLUG CO., LTD. TITLE
CUSTOMER SPECTRUM	CHECKED	APPROVED	B/G PADS DETAIL
DWG NO.	UNIT MM	SCALE	DWG NO. IPK84F1-8396G

Rev.	Description	Date
0	NEW DRAWING	SEP.-04-1997

PART NO. SHEET 3 OF 4





9	10	11
LATEST REVISION'S		DESCRIPTION

CONNECTION TABLE

PAD	PIN	PAD	PIN	PAD	PIN	PAD	PIN
1	B2	22	K2	43	K10	64	B10
2	C2	23	K3	44	J10	65	B9
3	B1	24	L2	45	K11	66	A10
4	C1	25	L3	46	J11	67	A9
5	D2	26	K4	47	H10	68	B8
6	D1	27	L4	48	H11	69	A8
7	E3	28	J5	49	F10	70	B6
8	E2	29	K5	50	G10	71	B7
9	E1	30	L5	51	G11	72	A7
10	F2	31	K6	52	G9	73	C7
11	F3	32	J6	53	F9	74	C6
12	G3	33	J7	54	F11	75	A6
13	G1	34	L7	55	E11	76	A5
14	G2	35	K7	56	E10	77	B5
15	F1	36	L6	57	E9	78	C5
16	H1	37	L8	58	D11	79	A4
17	H2	38	K8	59	D10	80	B4
18	J1	39	L9	60	C11	81	A3
19	K1	40	L10	61	B11	82	A2
20	J2	41	K9	62	C10	83	B3
21	L1	42	L11	63	A11	84	A1

MODIFIED DWG NO. IPK84F1-8396E

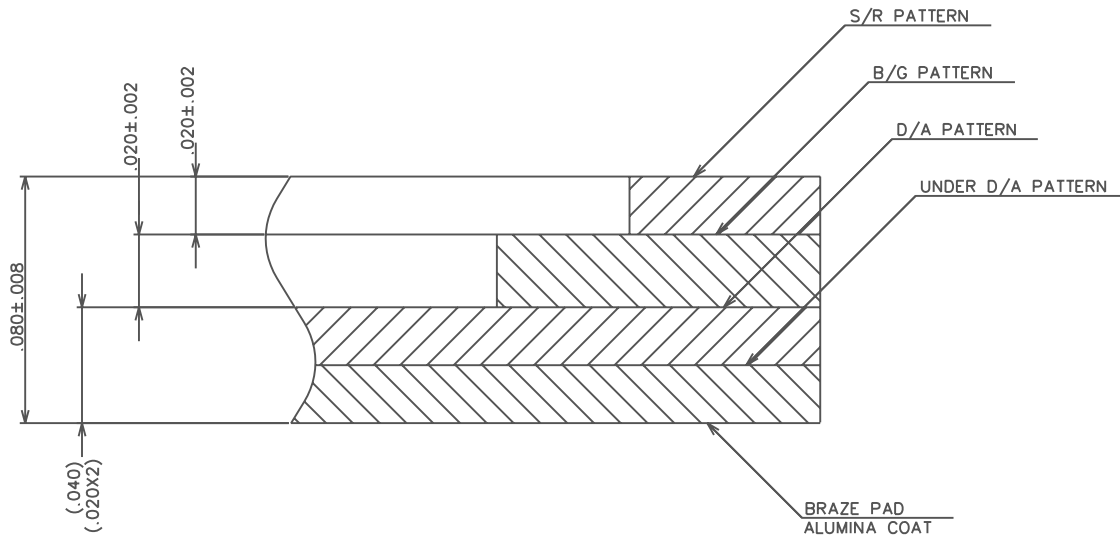
UNLESS OTHERWISE SPECIFIED TOLERANCES: ± 1% N. L. T. 2 DECIMALS X, X ± 0.25 3 DECIMALS X, XX ± 0.13	DRAWN	T. TORII	NEW DRAWING	SEP.-04
	CHECKED		Rev.	Description
	APPROVED		Date	
	CUSTOMER	SPECTRUM	NGK SPARK PLUG CO., LTD.	
DWG NO.		UNIT	MM	DWG NO.
		SCALE	/	IPK84F1-8396G

PART NO. SHEET 4 OF 4



NTK

REV.	REVISION'S	DESCRIPTION



PACKAGE LAY-UP

MODIFIED DWG NO. IPK84F1-8396E

UNLESS OTHERWISE SPECIFIED TOLERANCES: ± 1/2%		DRAWN T.TORII	NTK
N. L. T. 2 DECIMALS X, X ± 0.25		CHECKED	NGK SPARK PLUG CO., LTD.
3 DECIMALS X, XX ± 0.13		APPROVED	TITLE
CUSTOMER SPECTRUM	UNIT MM	PACKAGE LAY-UP	
DWG NO.	SCALE /	DWG NO. IPK84F1-8396G	

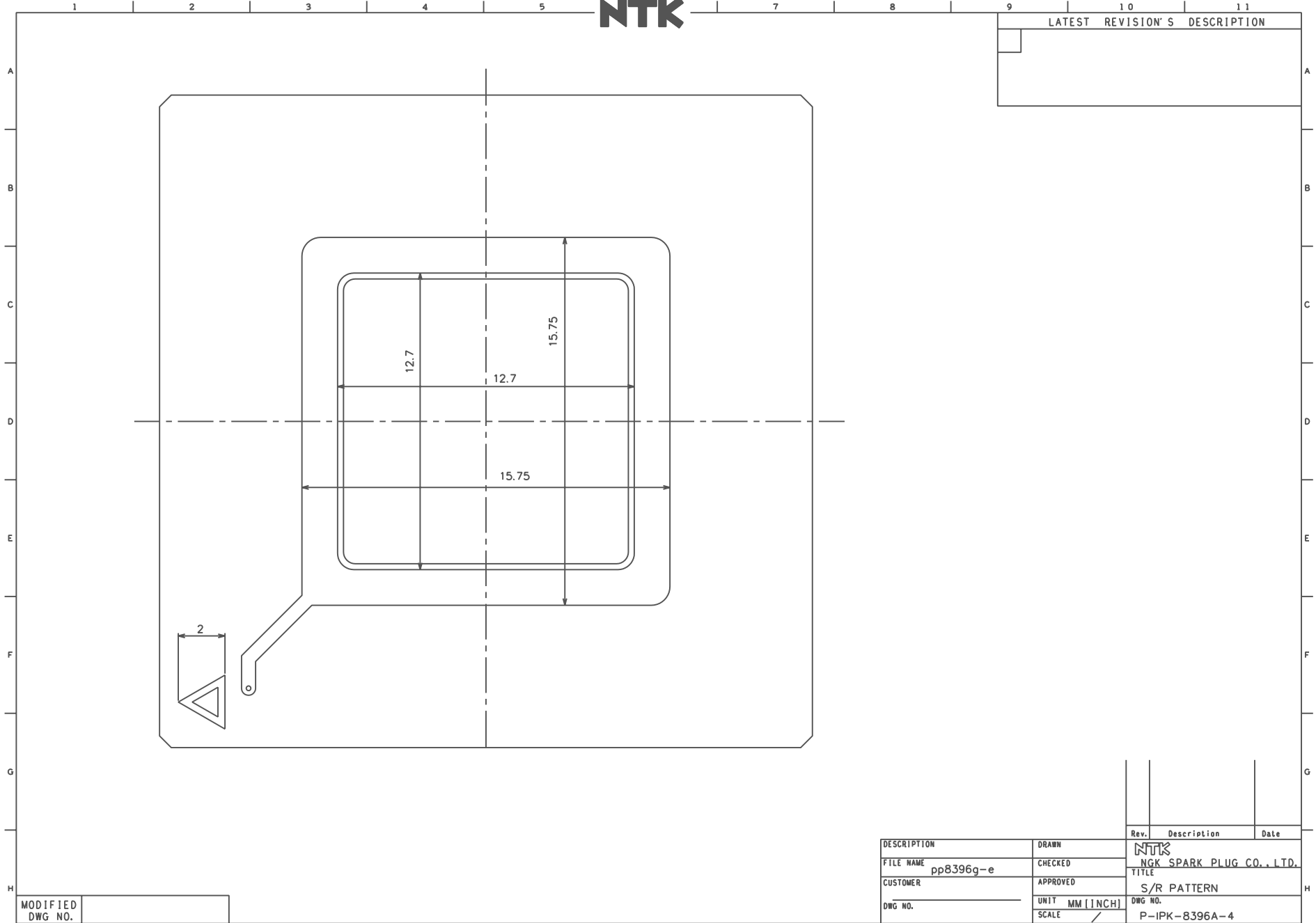
Rev.	Description	Date
	NEW DRAWING	SEP-04-1997

PART NO. SHEET 2 OF 4



SSM P/N CPG08451

NTK



LATEST	REVISION S	DESCRIPTION

MODIFIED DWG NO. 1 2 3 4 5 6 7 8

DESCRIPTION	DRAWN	Rev.	Description	Date
FILE NAME pp8396g-e	CHECKED	NTK	NGK SPARK PLUG CO., LTD.	
CUSTOMER	APPROVED	TITLE	S/R PATTERN	
DWG NO.	UNIT MM [INCH]	DWG NO.	P-IPK-8396A-4	
	SCALE /			

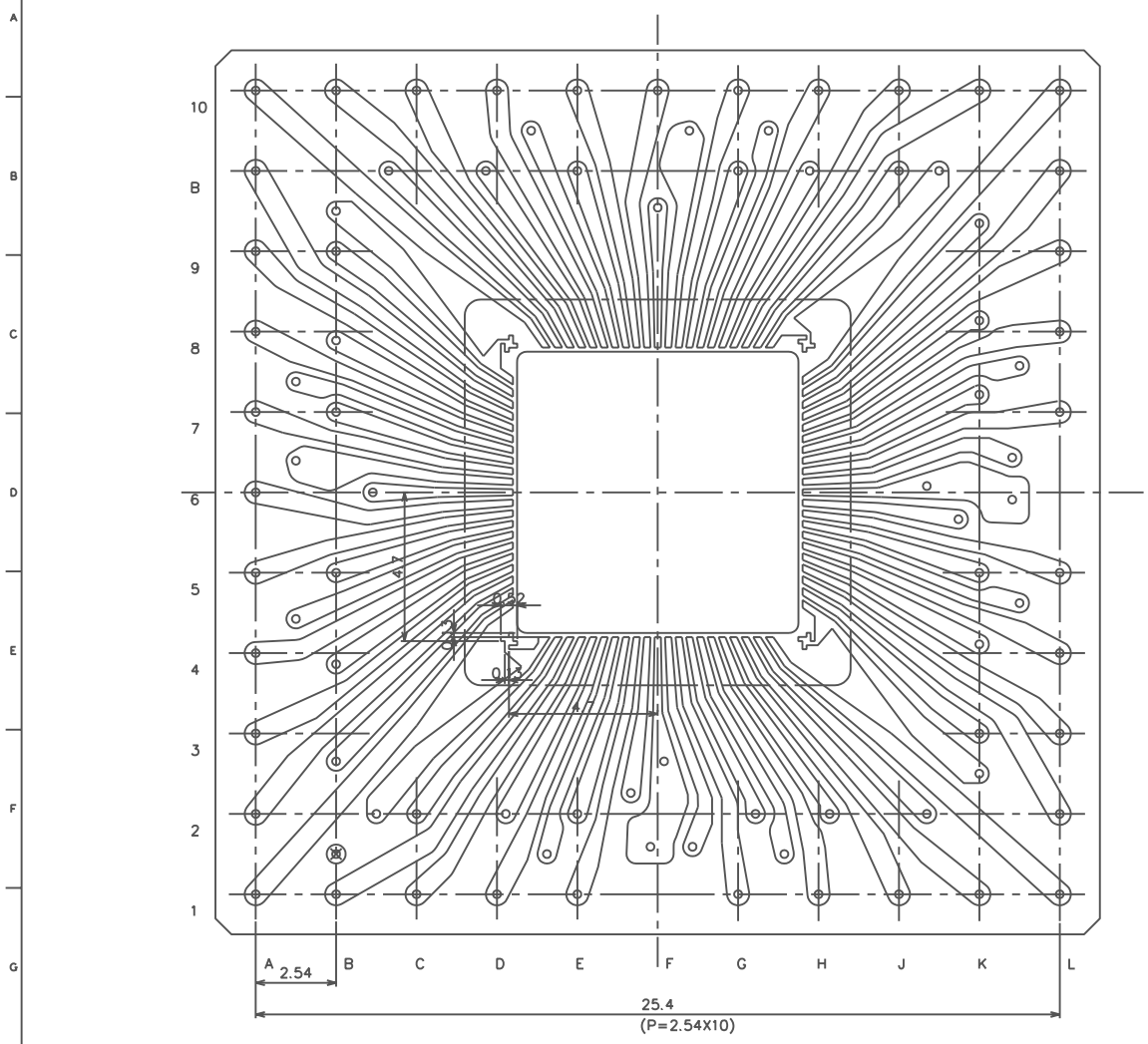
PART NO. SHEET OF



SSM P/N CPG08451

NTK

9	10	11
LATEST	REVISION'S	DESCRIPTION



MODIFIED	
DWG NO.	

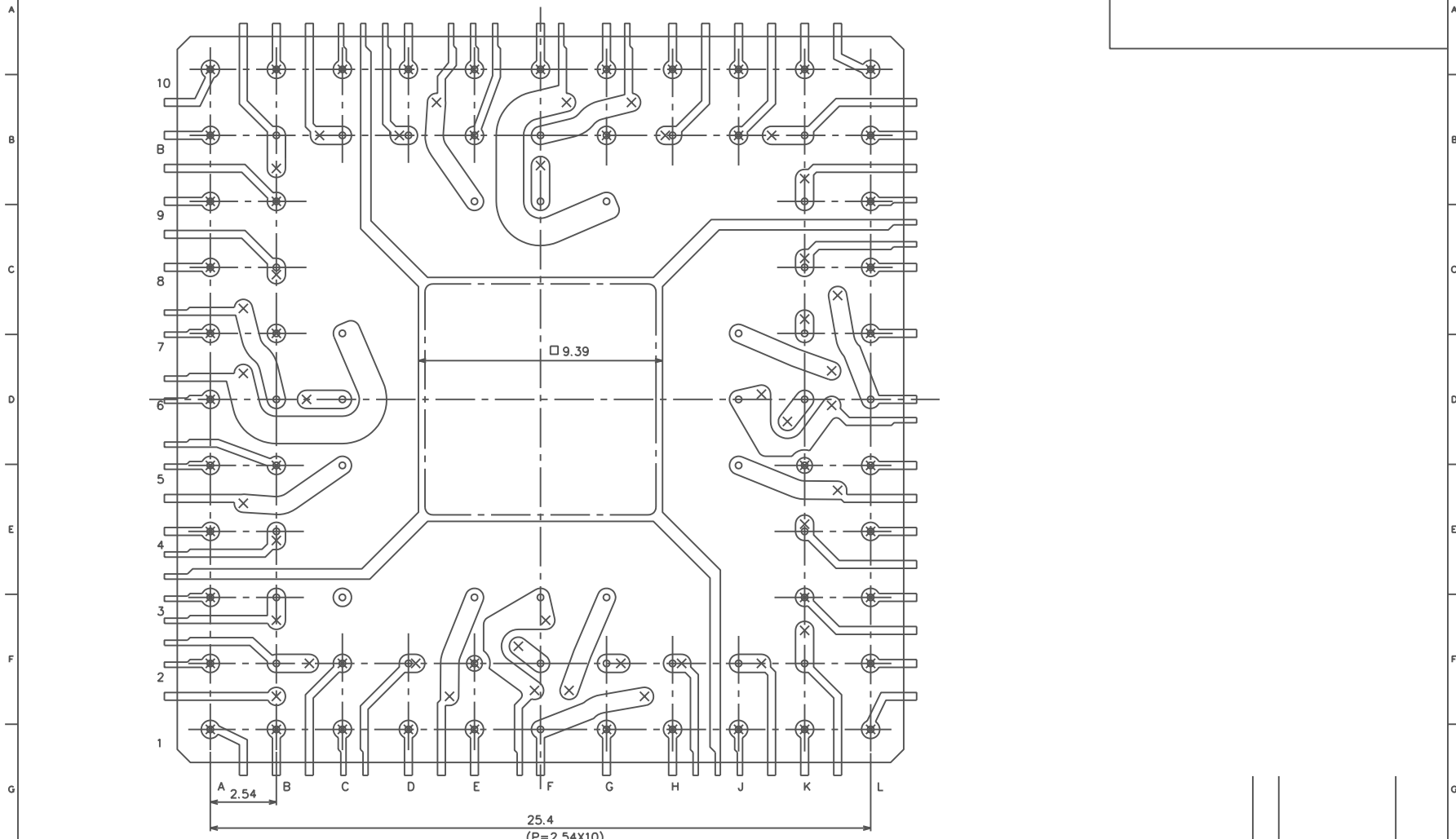
DESCRIPTION	DRAWN	Rev.	Description	Date
FILE NAME pp8396g-e	CHECKED	NTK	NGK SPARK PLUG CO., LTD.	
CUSTOMER	APPROVED	TITLE	B/G PATTERN	
DWG NO.	UNIT MM [INCH]	DWG NO.	P-IPK-8396A-3	
	SCALE /			

PART NO. SHEET OF



NTK

LATEST REVISION S DESCRIPTION



MODIFIED
DWG NO.

DESCRIPTION	DRAWN	Rev.	Description	Date
FILE NAME pp8396g-e	CHECKED	NTK	NGK SPARK PLUG CO., LTD.	
CUSTOMER	APPROVED	TITLE	D/A PAD PATTERN	
DWG NO.	UNIT MM [INCH]	DWG NO.	P-IPK-8396A-2	
	SCALE			

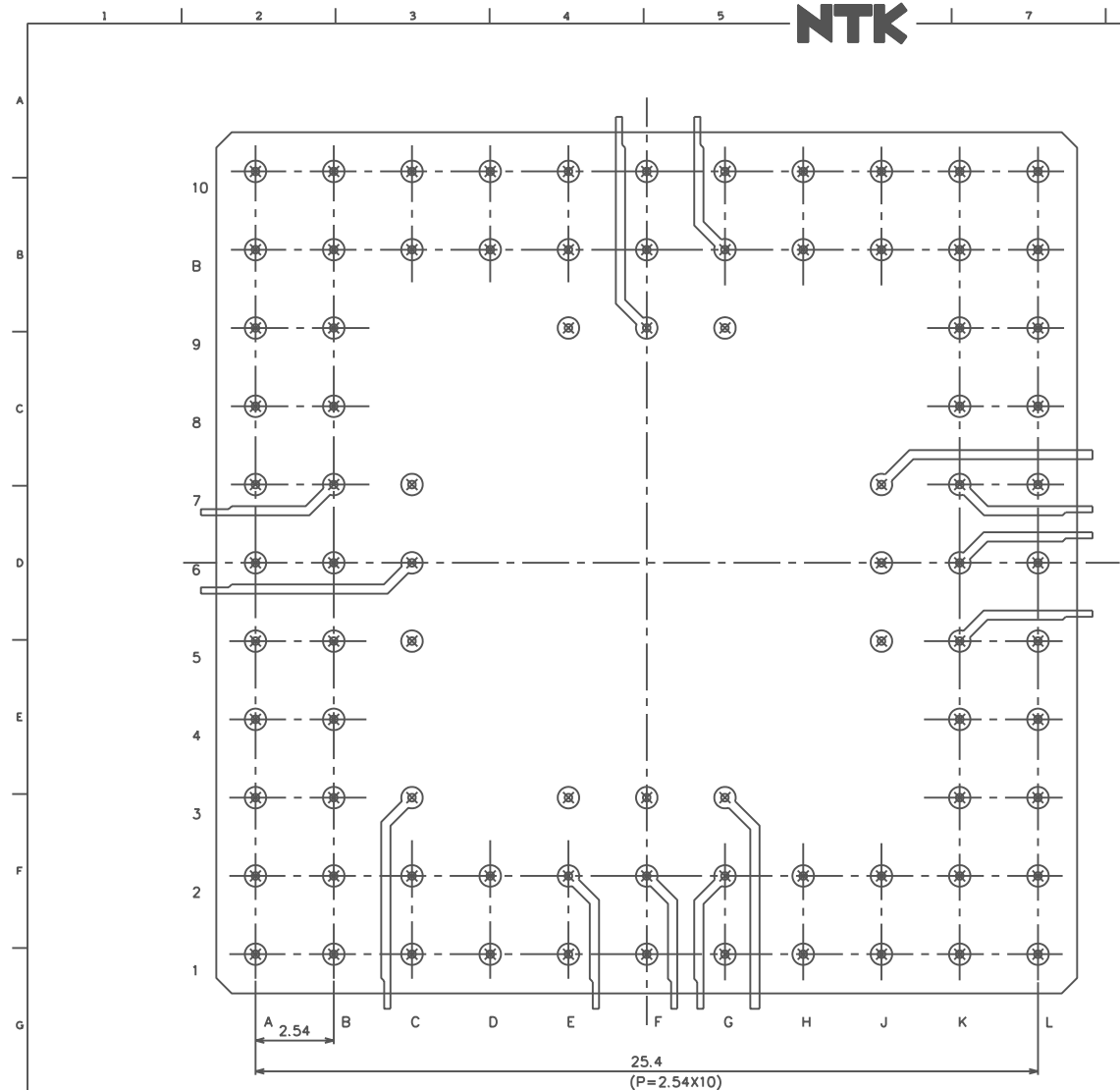
PART NO. SHEET OF



SSM P/N CPG08451

NTK

LATEST	REVISION	DESCRIPTION



MODIFIED
DWG NO.

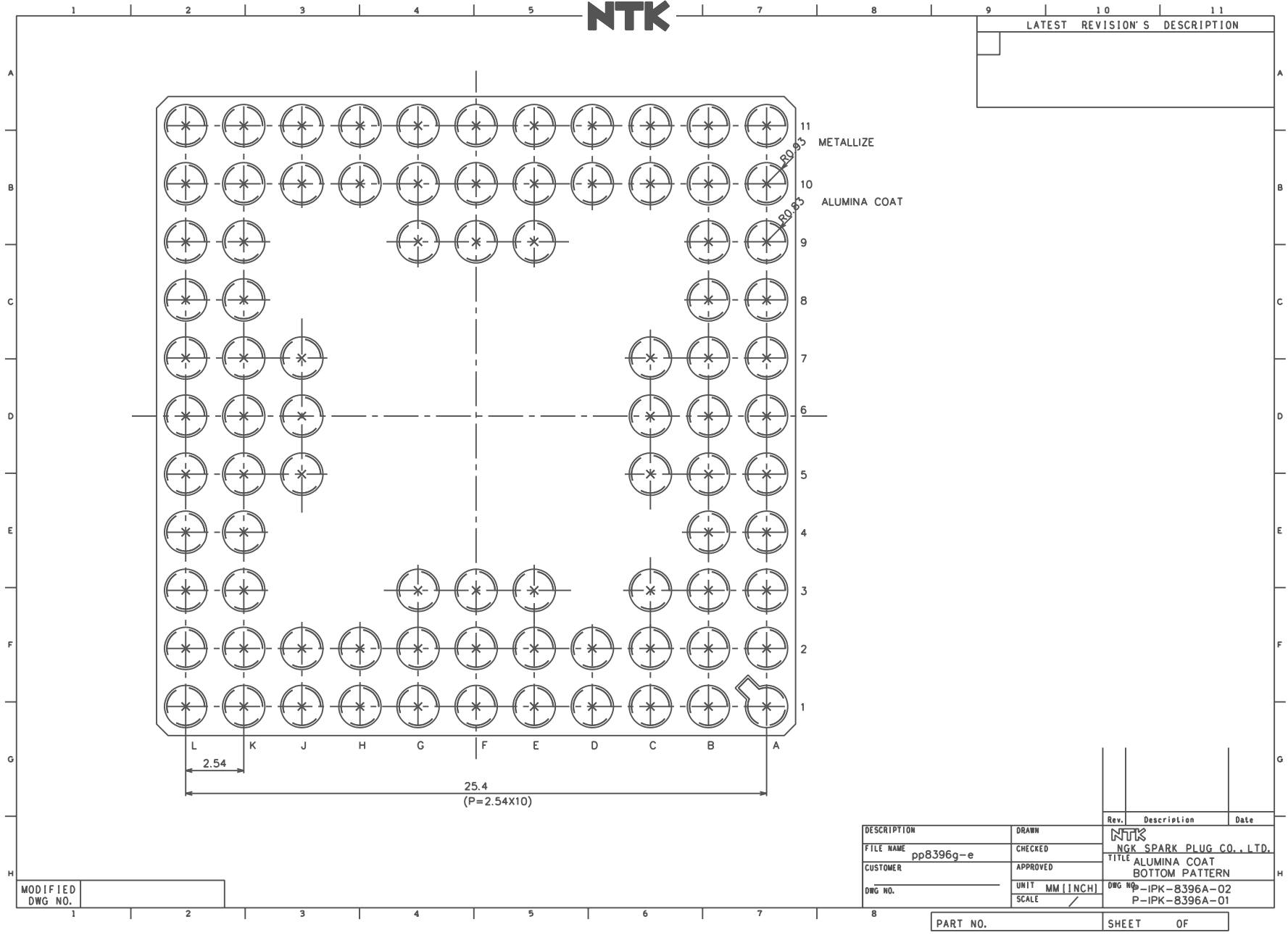
DESCRIPTION	DRAWN	Rev.	Description	Date
FILE NAME pp8396g-e	CHECKED	NTK	NGK SPARK PLUG CO., LTD.	
CUSTOMER	APPROVED	TITLE UNDER D/A PATTERN		
DWG NO.	UNIT MM [INCH]	DWG NO. P-IPK-8396A-1		
	SCALE			

PART NO. SHEET OF



SSM P/N CPG08451

NTK



MODIFIED DWG NO.

DESCRIPTION	DRAWN	Rev.	Description	Date
FILE NAME pp8396g-e	CHECKED	NTK	NGK SPARK PLUG CO., LTD.	
CUSTOMER	APPROVED	TITLE ALUMINA COAT BOTTOM PATTERN		
DWG NO.	UNIT MM [INCH]	DWG NO.	P-IPK-8396A-02	
	SCALE		P-IPK-8396A-01	

PART NO. SHEET OF



