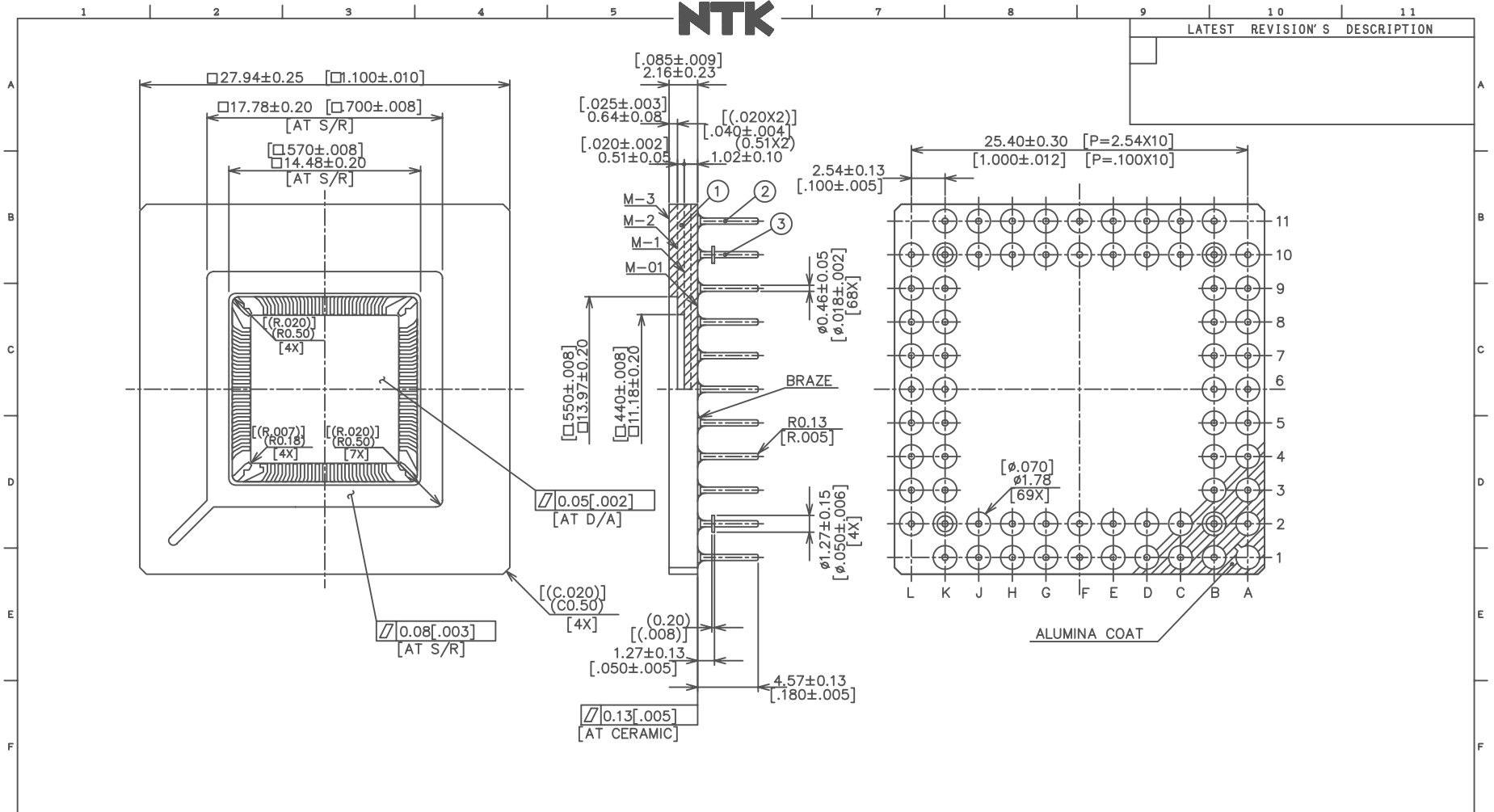


NTK

LATEST REVISION'S DESCRIPTION



- NOTES: 1. NTK SPEC YS-1010 SHALL APPLY.
 2. GOLD PLATE 1.52 μ m [60 μ INCHES] MIN OVER 2.03 μ m [80 μ INCHES] MIN NICKEL.
 3. SEAL RING AND D/A PATTERN TO BE FLOATING FROM ANY PINS.
 4. D/A PATTERN IS CONNECTED TO THE 4 CORNER FIDUCIAL MARKS.

3	STAND OFF PIN	ALLOY42			
2	PIN	ALLOY42			
1	CERAMIC	BLACK ALUMINA			
Item Name		Material	Description	Rev.	Description
UNLESS OTHERWISE SPECIFIED					
TOLERANCES: \pm %					
N. L. T. 1 DECIMALS X.X \pm 0.25					
2 DECIMALS X.XX \pm 0.13					
DRAWN O.LIANG		Description			
CHECKED M.MIZUNO		NTK			
CUSTOMER SPECTRUM		APPROVED H.HASHIMOTO			
DWG NO.		UNIT MM [INCH]			
		SCALE			
				NEW DRAWING	MAR-24-2006
				TITLE	NGK SPARK PLUG CO., LTD.
				DWG NO.	IPK68F1-2173A

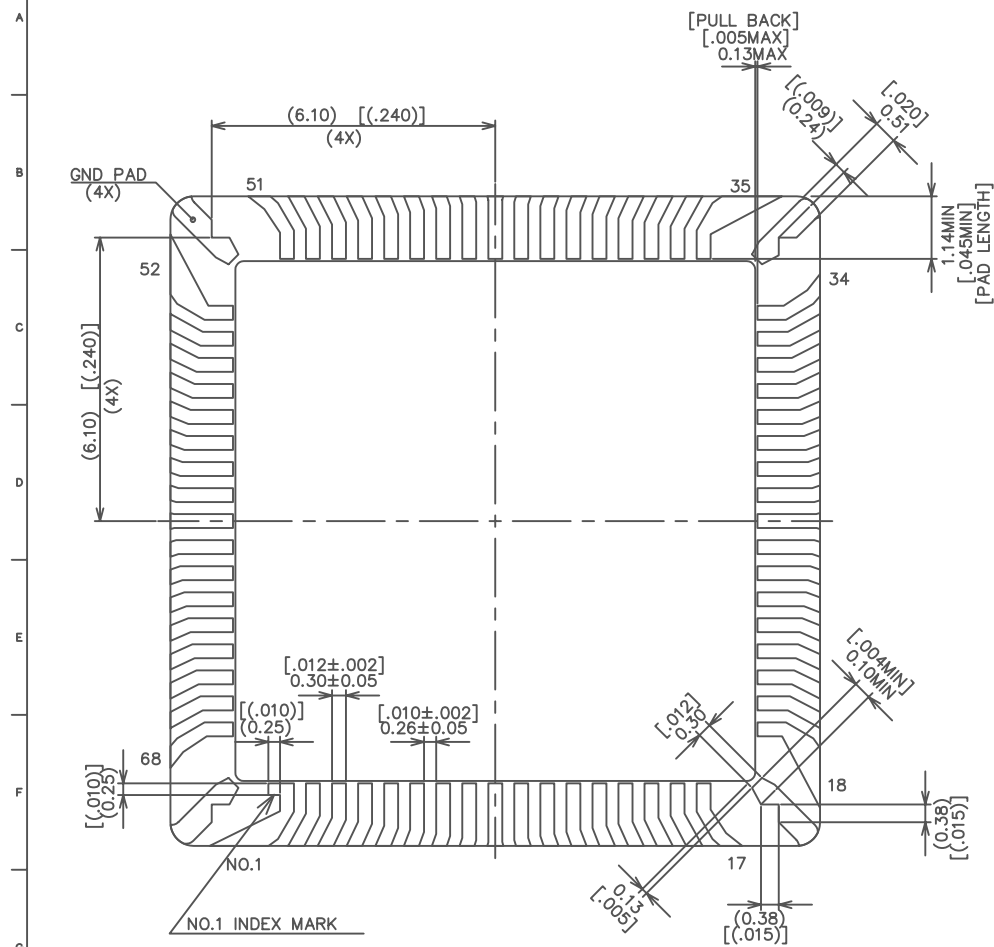
MODIFIED DWG NO. IPK68F0-8795C

PART NO. SHEET 1 OF 2



NTK

LATEST REVISION'S DESCRIPTION



PAD	PIN	PAD	PIN	PAD	PIN
1	B2	26	K6	51	B11
2	B1	27	L6	52	B10
3	C2	28	K7	53	A10
4	C1	29	L7	54	B9
5	D2	30	K8	55	A9
6	D1	31	L8	56	B8
7	E2	32	K9	57	A8
8	E1	33	L9	58	B7
9	F2	34	L10	59	A7
10	F1	35	K10	60	B6
11	G2	36	K11	61	A6
12	G1	37	J10	62	B5
13	H2	38	J11	63	A5
14	H1	39	H10	64	B4
15	J2	40	H11	65	A4
16	J1	41	G10	66	B3
17	K1	42	G11	67	A3
18	K2	43	F10	68	A2
19	L2	44	F11		
20	K3	45	E10		
21	L3	46	E11		
22	K4	47	D10		
23	L4	48	D11		
24	K5	49	C10		
25	L5	50	C11		

CONNECTION TABLE

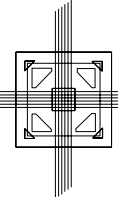
B/G PAD DETAIL

NEW DRAWING MAR-24-2006

Rev.	Description	Date
	NTK NGK SPARK PLUG CO., LTD.	
	TITLE B/G PAD DETAIL & CONNECTION TABLE	
	DWG NO. IPK68F1-2173A	

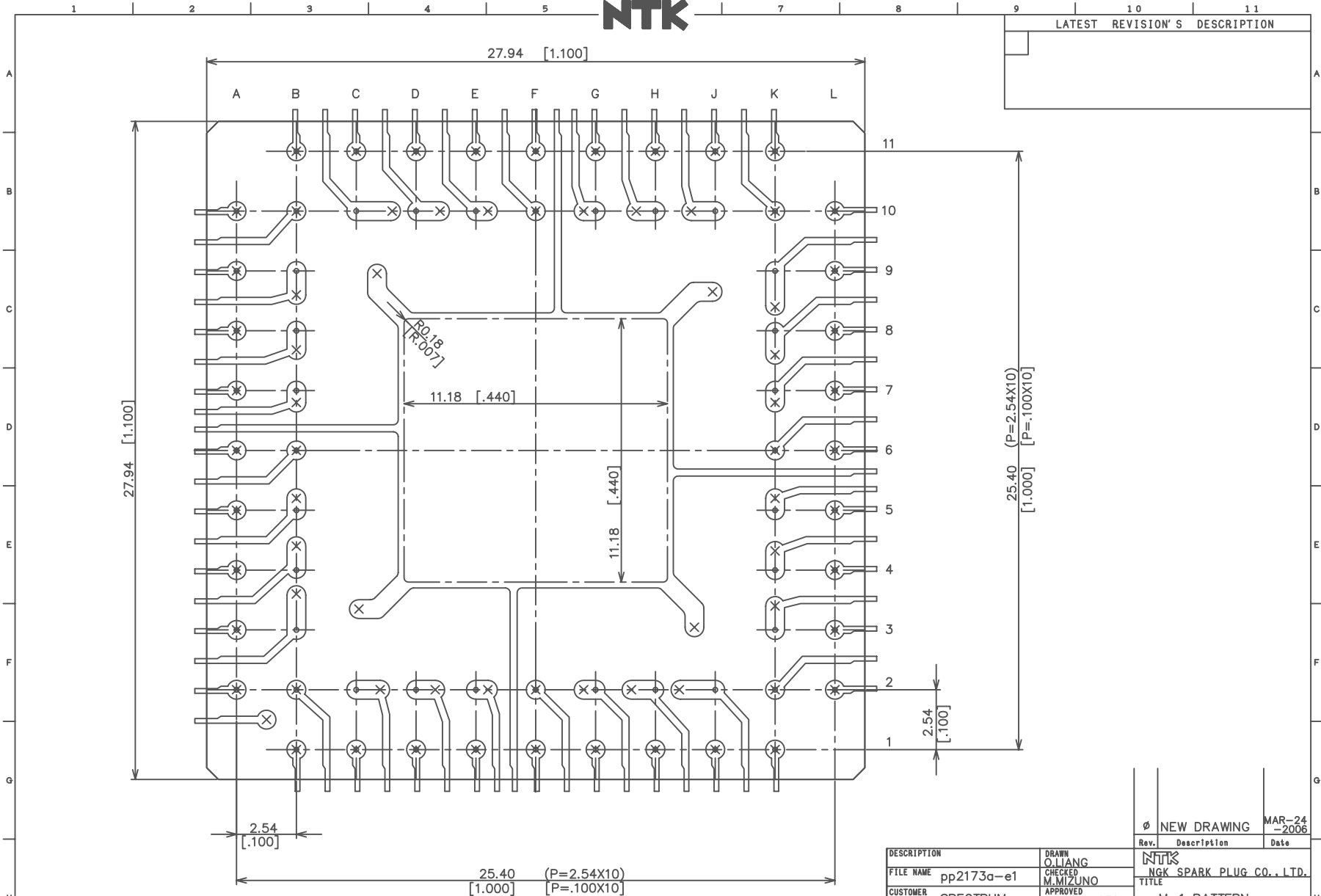
UNLESS OTHERWISE SPECIFIED TOLERANCES: ± 1% N. L. T. 3 DECIMALS X.X ± 0.25	DRAWN O.LIANG
CHECKED M.MIZUNO	APPROVED H.HASHIMOTO
CUSTOMER SPECTRUM	UNIT MM[INCH]
DWG NO.	SCALE

MODIFIED DWG NO. IPK68F0-8795C



NTK

LATEST REVISION'S DESCRIPTION



MODIFIED DWG NO. IPK68F0-8795C

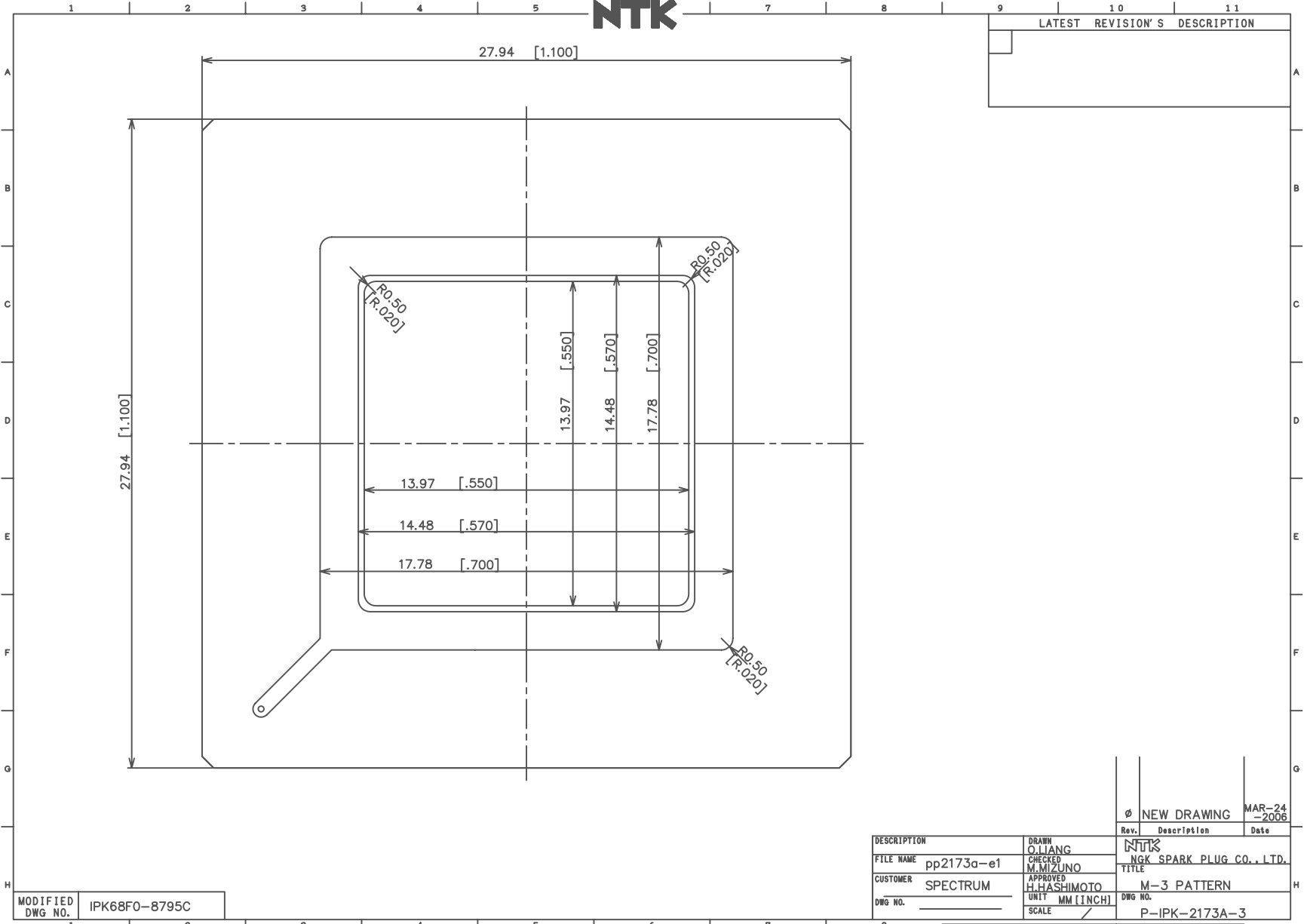
DESCRIPTION	DRAWN O.LIANG	NEW DRAWING	MAR-24-2006
FILE NAME pp2173a-e1	CHECKED M.MIZUNO	Rev.	Description
CUSTOMER SPECTRUM	APPROVED H.HASHIMOTO	NTK NGK SPARK PLUG CO., LTD.	
DWG NO.	UNIT MM [INCH]	TITLE M-1 PATTERN	
	SCALE /	DWG NO. P-IPK-2173A-1	

PART NO. SHEET OF



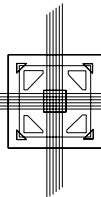
NTK

LATEST REVISION'S DESCRIPTION

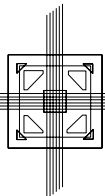
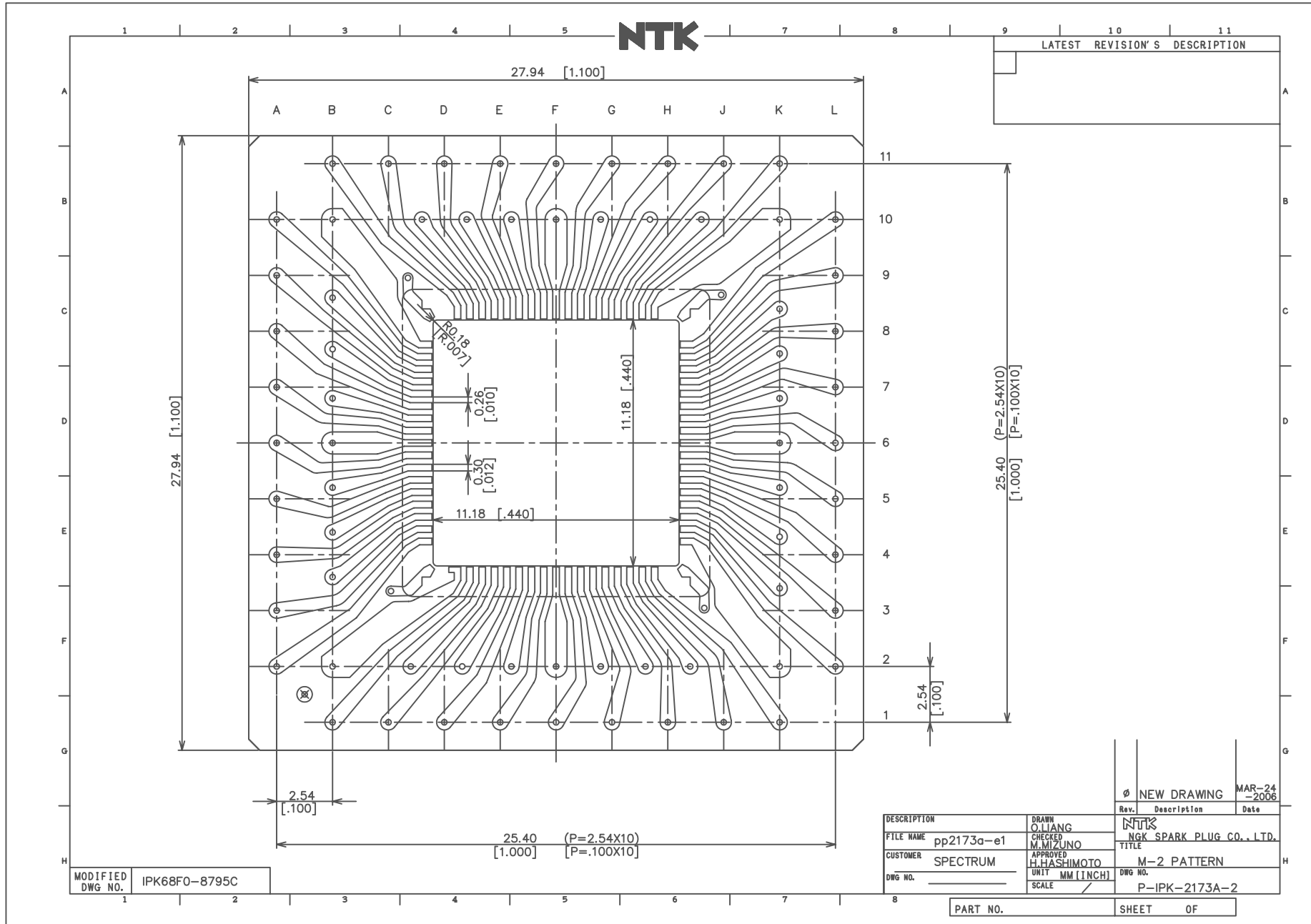


MODIFIED DWG NO. IPK68FO-8795C

PART NO. SHEET OF



SSM P/N CPG06873



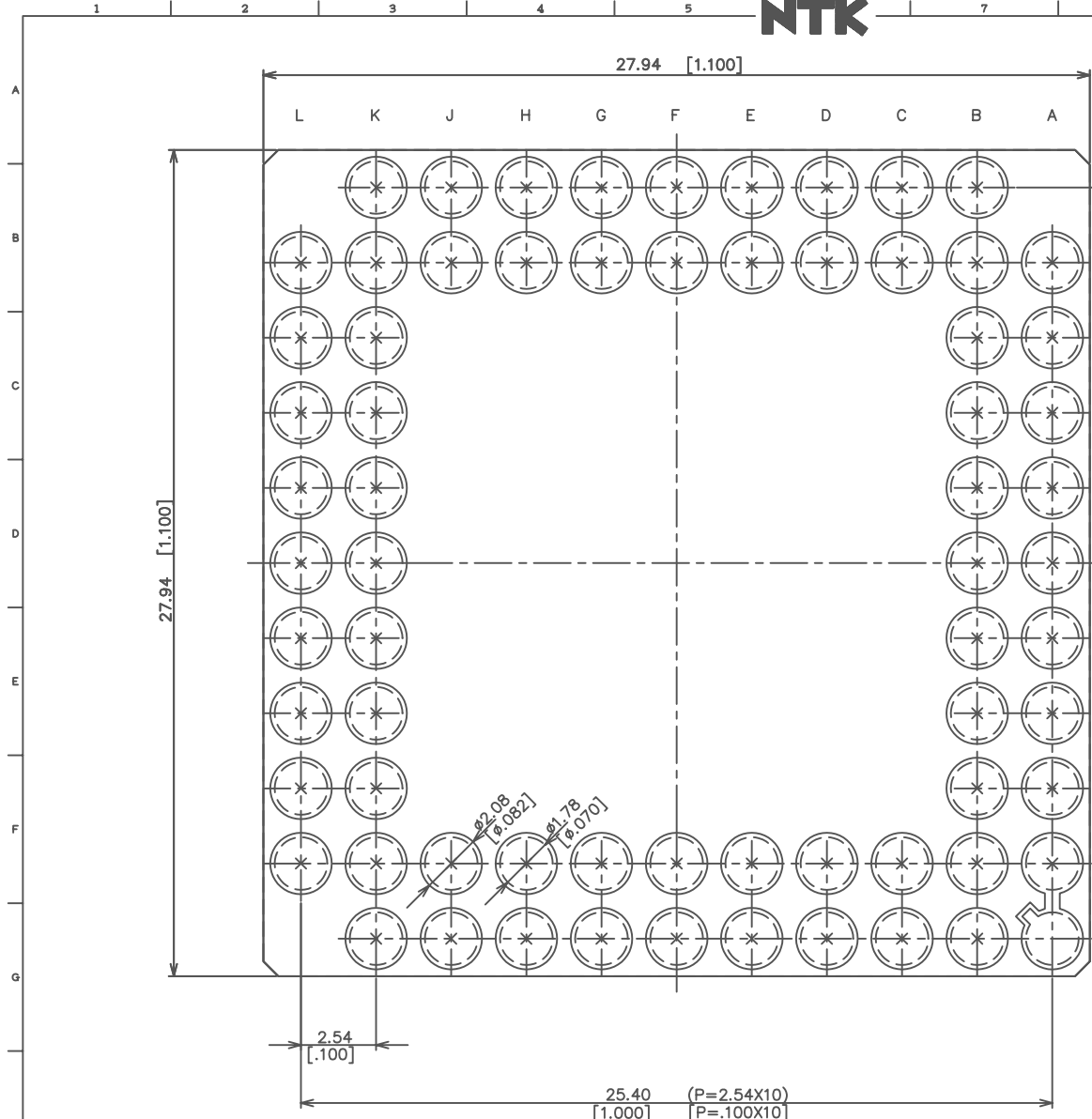
SPECTRUM
SEMICONDUCTOR MATERIALS, INC.

www.spectrum-semi.com Phone: 408-435-5555 Fax: 408-435-8226

PART NO. SHEET OF

NTK

Rev.	Description	Date



MODIFIED DWG NO. 1 IPK68F0-8795C

DESCRIPTION	DRAWN O.LIANG	NTK
FILE NAME pp2173a-e1	CHECKED M.MIZUNO	NGK SPARK PLUG CO., LTD.
CUSTOMER SPECTRUM	APPROVED H.HASHIMOTO	TITLE ALUMINA COAT M-01 PATTERN
DWG NO. _____	UNIT MM (INCH)	DWG NO. P-IPK-2173A-02
	SCALE /	P-IPK-2173A-01

PART NO. SHEET OF



