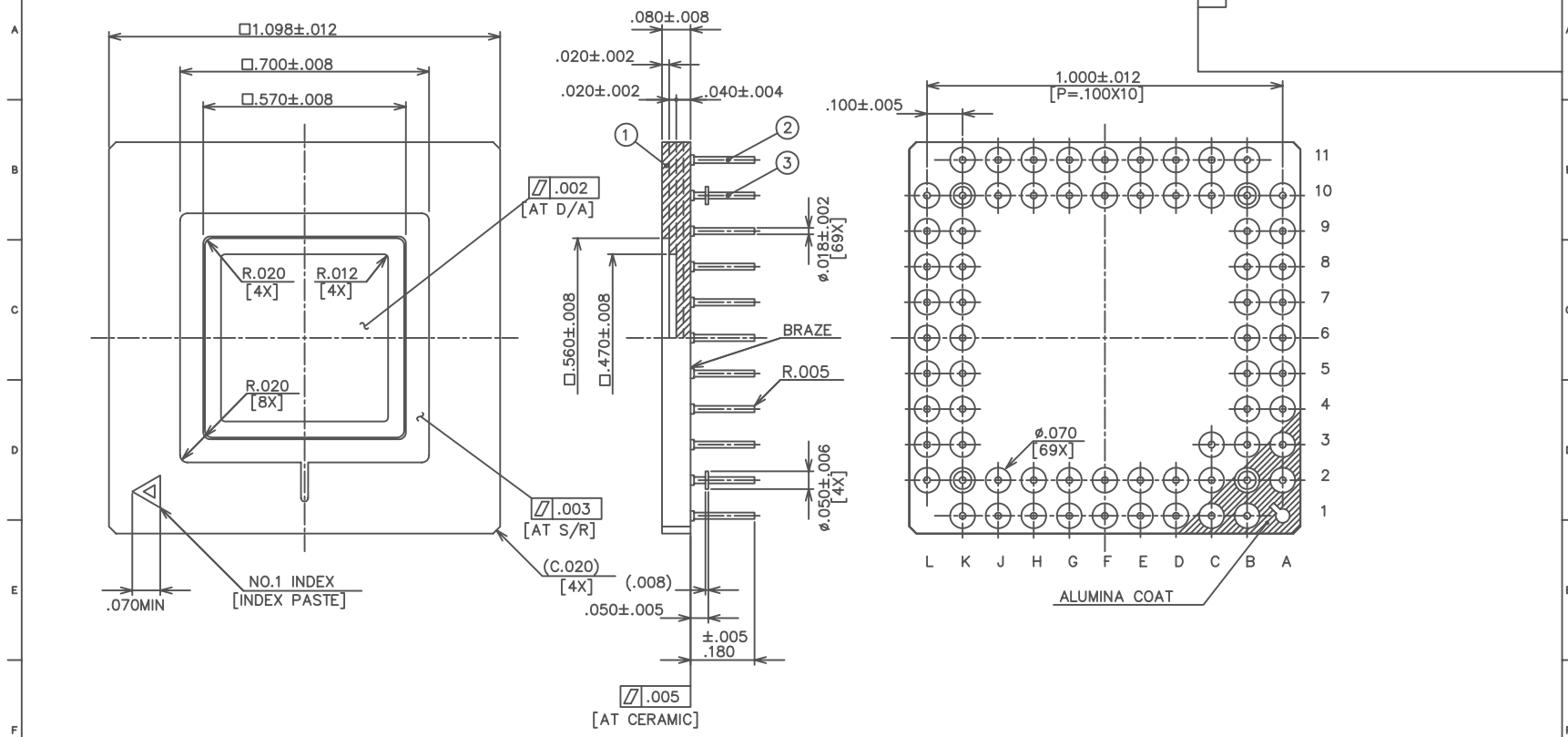


SSM P/N CPG06863

NTK

LATEST REVISION'S DESCRIPTION

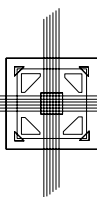


- NOTES:
1. GOLD PLATE 60~225? INCHES OVER
80?~ 350? INCHES NICKEL.
 2. NO LEAD TO BE ELECTRICALLY CONNECTED TO THE DIE ATTACH.
SEAL RING ISOLATED.
 3. LEAD RESISTANCE:
PAD NO.1,9,18,28,35,43,52,60 ---200m? MAX.
ALL OTHER ---1000m? MAX.

| | | | | | | | |
|----------------------------|---------------|---------------|-------------|----------|--------------------------|------|--|
| 3 | STAND OFF PIN | KOVAR | | | | | |
| 2 | PIN | KOVAR | | | | | |
| 1 | CERAMIC | BLACK ALUMINA | | | | | |
| Item | Name | Material | Description | Rev. | Description | Date | |
| UNLESS OTHERWISE SPECIFIED | | | DRAWN | Y.SUZUKI | NTK | | |
| TOLERANCES: ± 1% | | | CHECKED | T.NOMURA | NGK SPARK PLUG CO., LTD. | | |
| CUSTOMER | | | APPROVED | T.NOMURA | TITLE | | |
| SPECTRUM | | | UNIT | MM INCH | 69 PIN GRID ARRAY | | |
| DWG NO. | | | SCALE | / | DWG NO. | | |
| | | | | | IPK69F1-8510D | | |

MODIFIED DWG NO. 1 2 3 4 5 6 7 8

PART NO. SHEET 1 OF 3



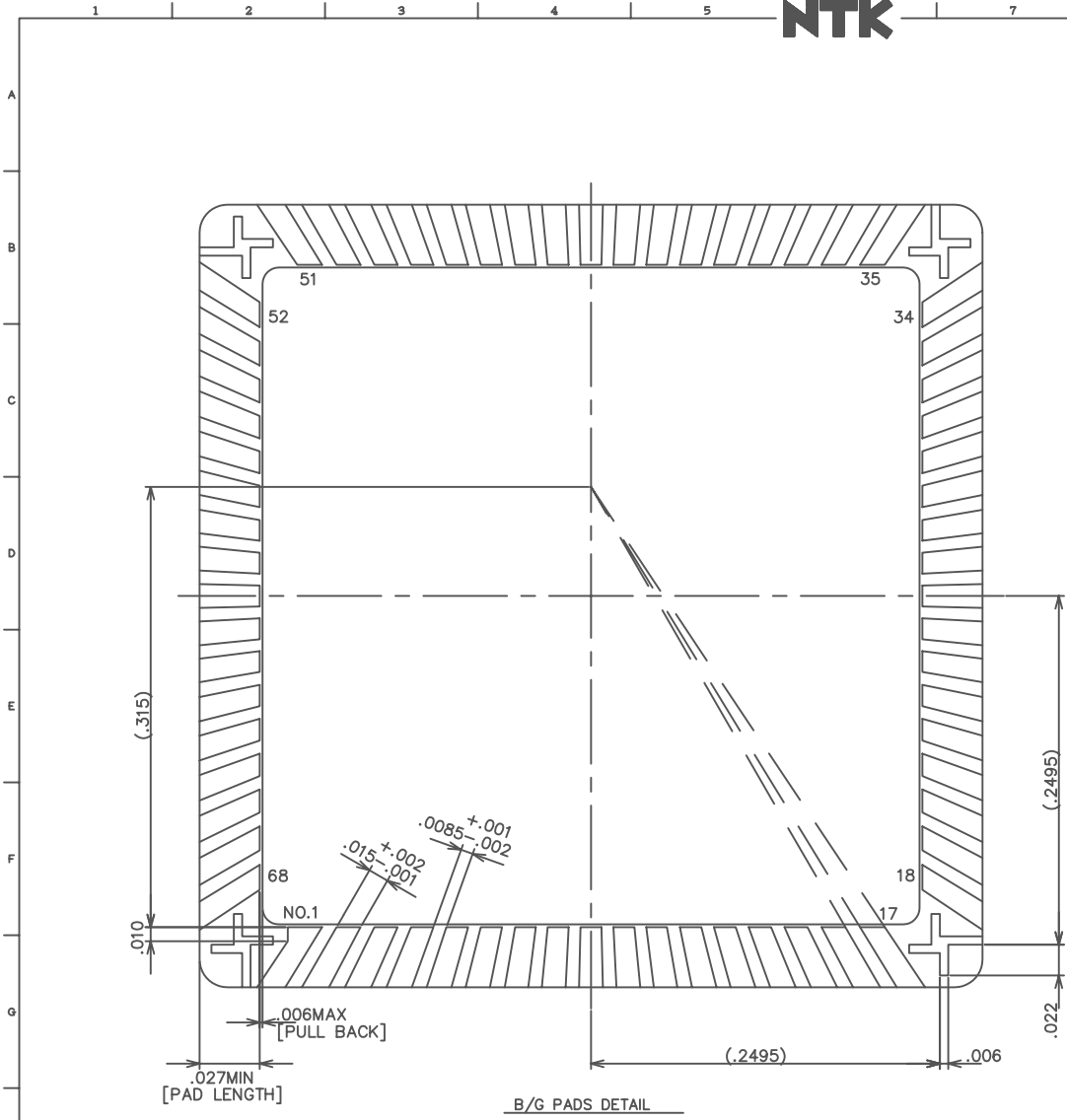
SPECTRUM
SEMICONDUCTOR MATERIALS, INC.

www.spectrum-semi.com Phone: 408-435-5555 Fax: 408-435-8226

SSM P/N CPG06863

NTK

| LATEST REVISION'S DESCRIPTION | |
|-------------------------------|--|
| | |



CONNECTION TABLE

| PAD | PIN | PAD | PIN | PAD | PIN | PAD | PIN |
|-----|-------|-----|-----|-----|-----|-----|-----|
| 1 | B2 | 18 | K2 | 35 | K10 | 52 | B10 |
| 2 | B1 | 19 | L2 | 36 | K11 | 53 | A10 |
| 3 | C2,C3 | 20 | K3 | 37 | J10 | 54 | B9 |
| 4 | C1 | 21 | L3 | 38 | J11 | 55 | A9 |
| 5 | D2 | 22 | K4 | 39 | H10 | 56 | B8 |
| 6 | D1 | 23 | L4 | 40 | H11 | 57 | A8 |
| 7 | E2 | 24 | K5 | 41 | G10 | 58 | B7 |
| 8 | E1 | 25 | L5 | 42 | G11 | 59 | A7 |
| 9 | F2 | 26 | K6 | 43 | F10 | 60 | B6 |
| 10 | F1 | 27 | L6 | 44 | F11 | 61 | A6 |
| 11 | G2 | 28 | K7 | 45 | E10 | 62 | B5 |
| 12 | G1 | 29 | L7 | 46 | E11 | 63 | A5 |
| 13 | H2 | 30 | K8 | 47 | D10 | 64 | B4 |
| 14 | H1 | 31 | L8 | 48 | D11 | 65 | A4 |
| 15 | J2 | 32 | K9 | 49 | C10 | 66 | B3 |
| 16 | J1 | 33 | L9 | 50 | C11 | 67 | A3 |
| 17 | K1 | 34 | L10 | 51 | B11 | 68 | A2 |

B/G PADS DETAIL

MODIFIED
DWG NO.

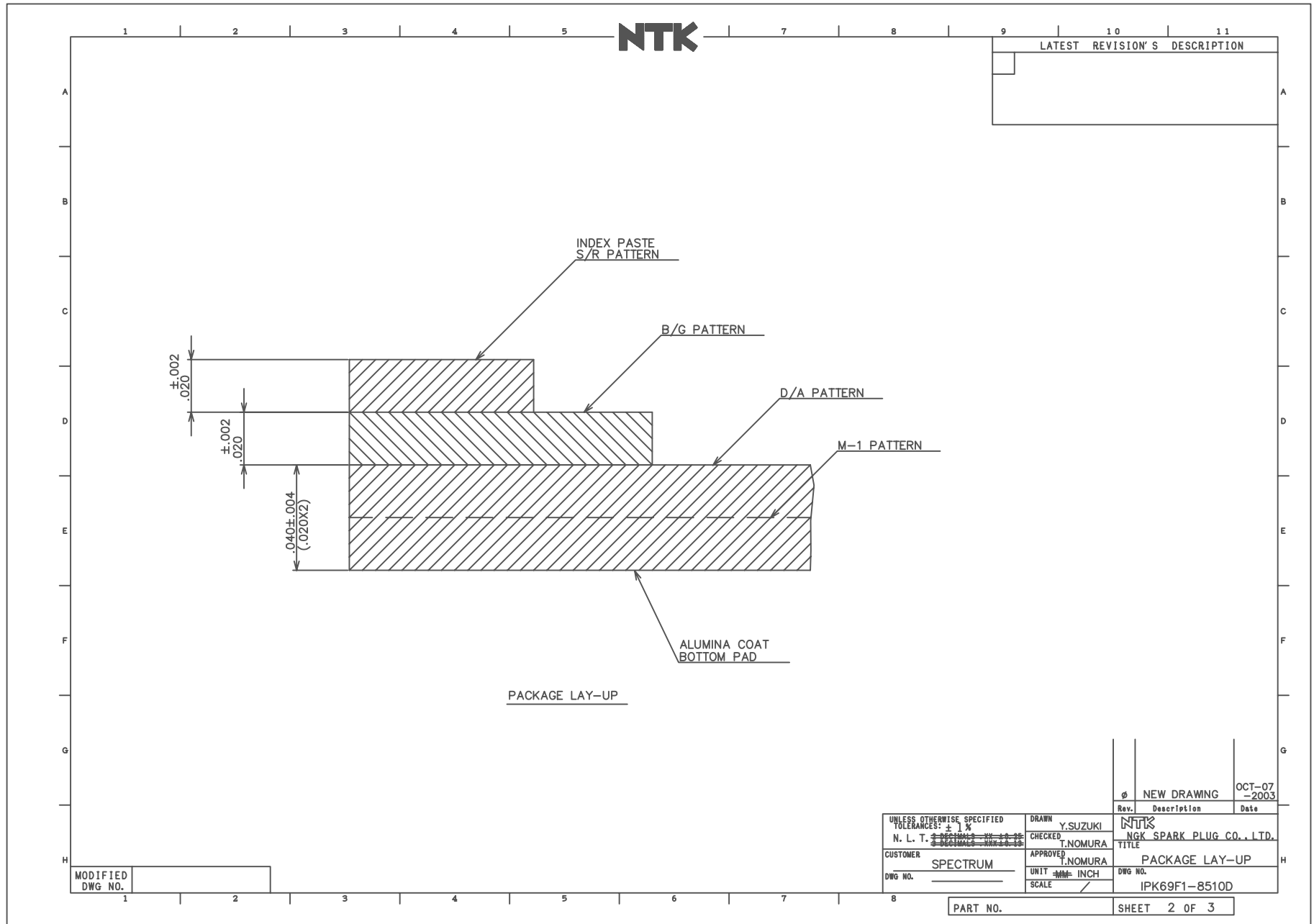
| | | | |
|---|----------|----------|--|
| UNLESS OTHERWISE SPECIFIED TOLERANCES: ± 1% N. L. T. SEE DRAWING | DRAWN | Y.SUZUKI | NTK NGK SPARK PLUG CO., LTD. TITLE CONNECTION TABLE & B/G PADS DETAIL |
| | CHECKED | T.NOMURA | |
| CUSTOMER | APPROVED | T.NOMURA | DWG NO. IPK69F1-8510D |
| SPECTRUM | UNIT | MM INCH | |
| DWG NO. | SCALE | 1:1 | |

NEW DRAWING OCT-07-2003
Rev. Description Date

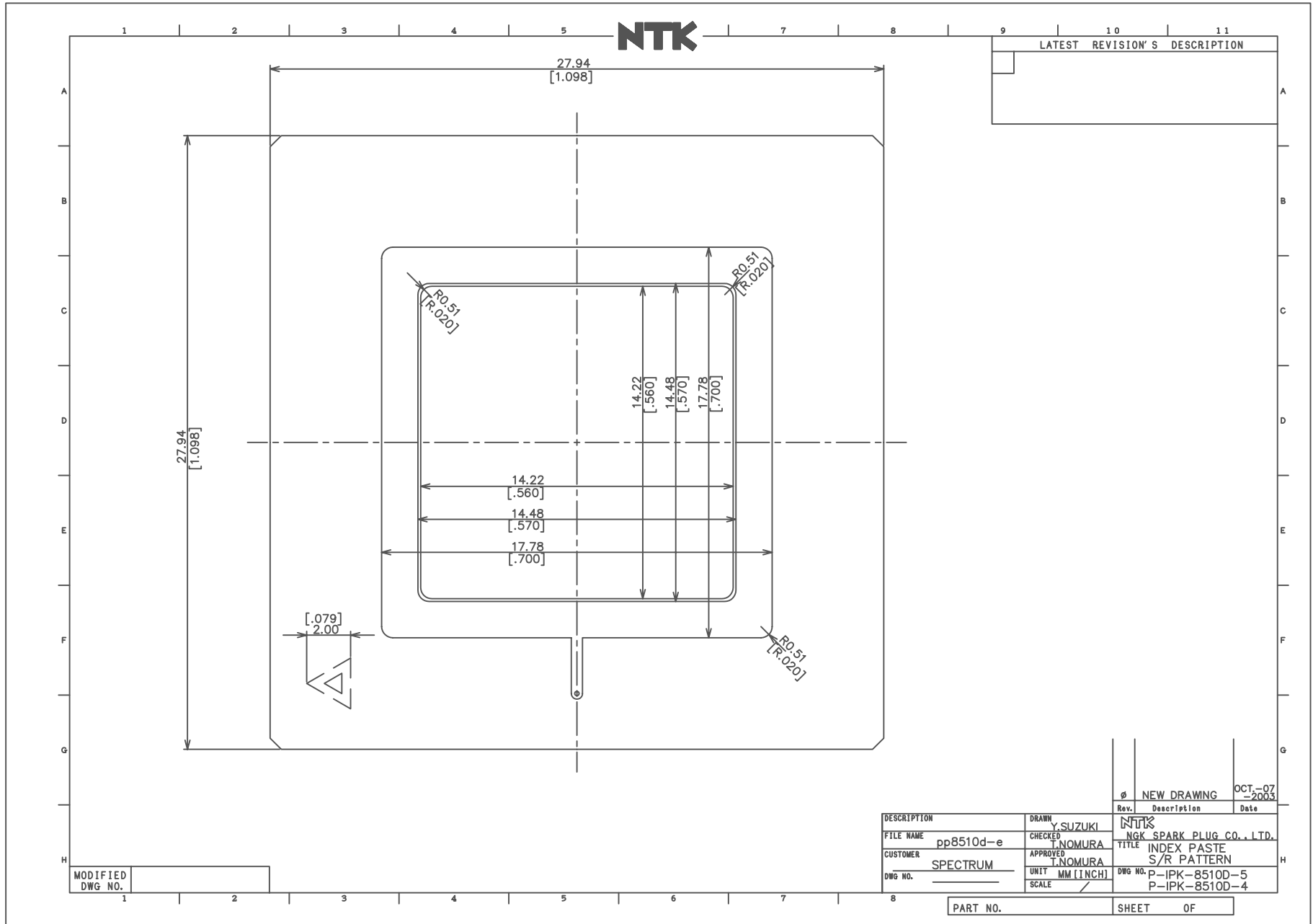
PART NO. SHEET 3 OF 3



SSM P/N CPG06863

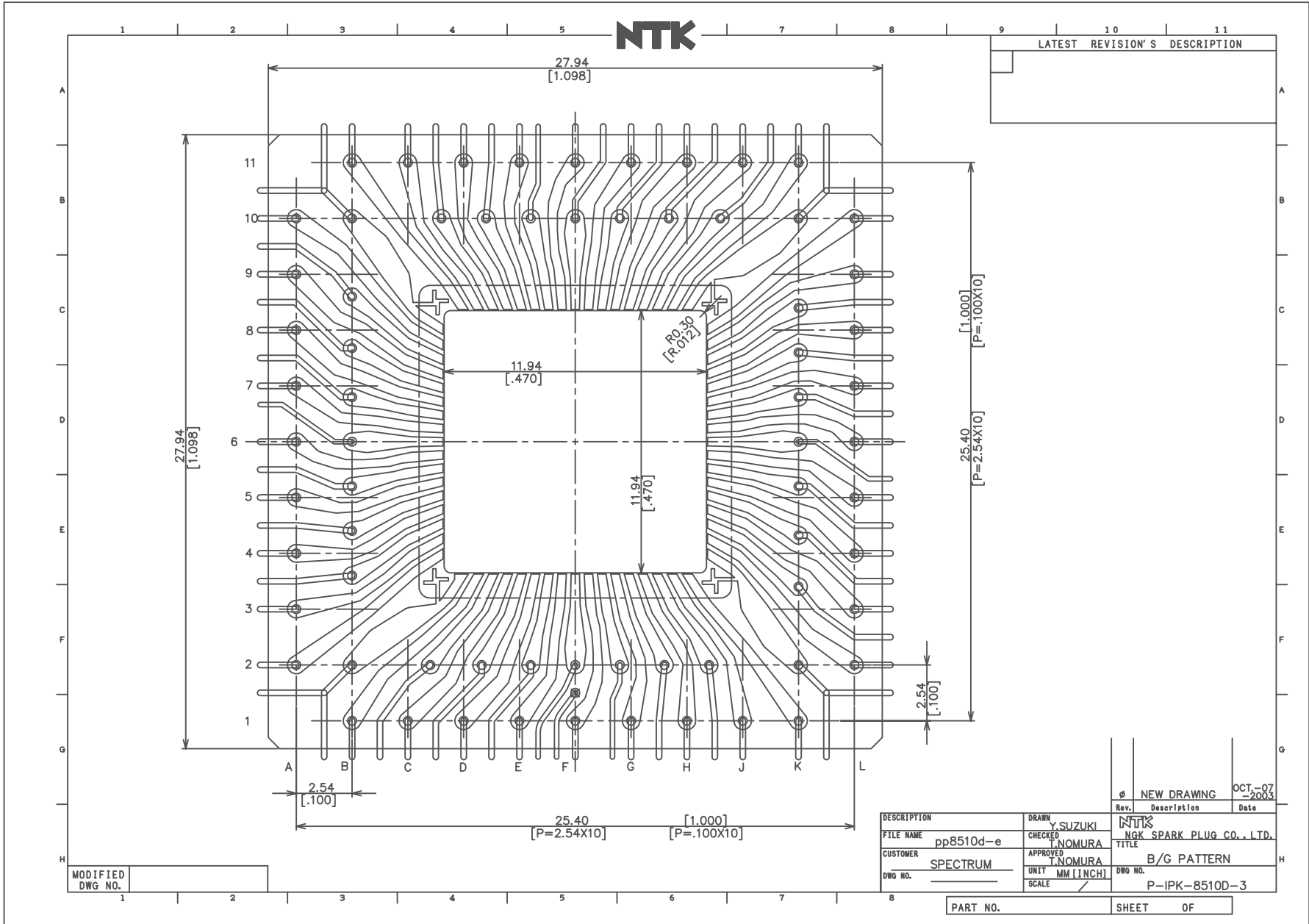


SSM P/N CPG06863



SSM P/N CPG06863

NTK



| 9 | 10 | 11 |
|-------------------|----|-------------|
| LATEST REVISION'S | | DESCRIPTION |
| | | |

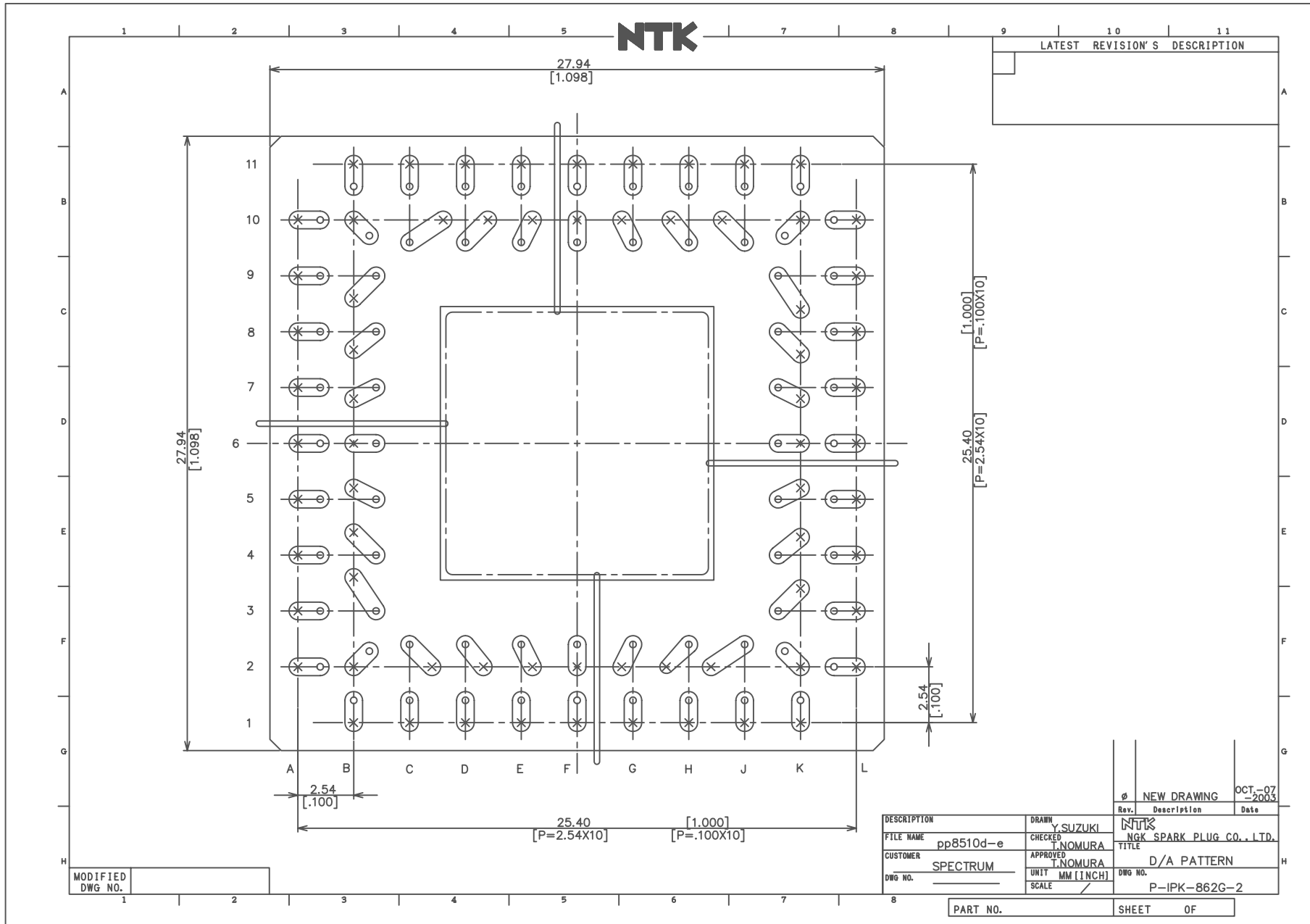
MODIFIED DWG NO. 1 2

| | | | | |
|-------------|----------|-----------|--------------------------|---------------|
| DESCRIPTION | DRAWN | Y. SUZUKI | NEW DRAWING | OCT.-07-2003 |
| FILE NAME | CHECKED | T. NOMURA | Rev. | Description |
| CUSTOMER | APPROVED | T. NOMURA | NGK SPARK PLUG CO., LTD. | Date |
| DWG NO. | UNIT | MM [INCH] | TITLE | B/G PATTERN |
| | SCALE | | DWG NO. | P-IPK-8510D-3 |

PART NO. SHEET OF



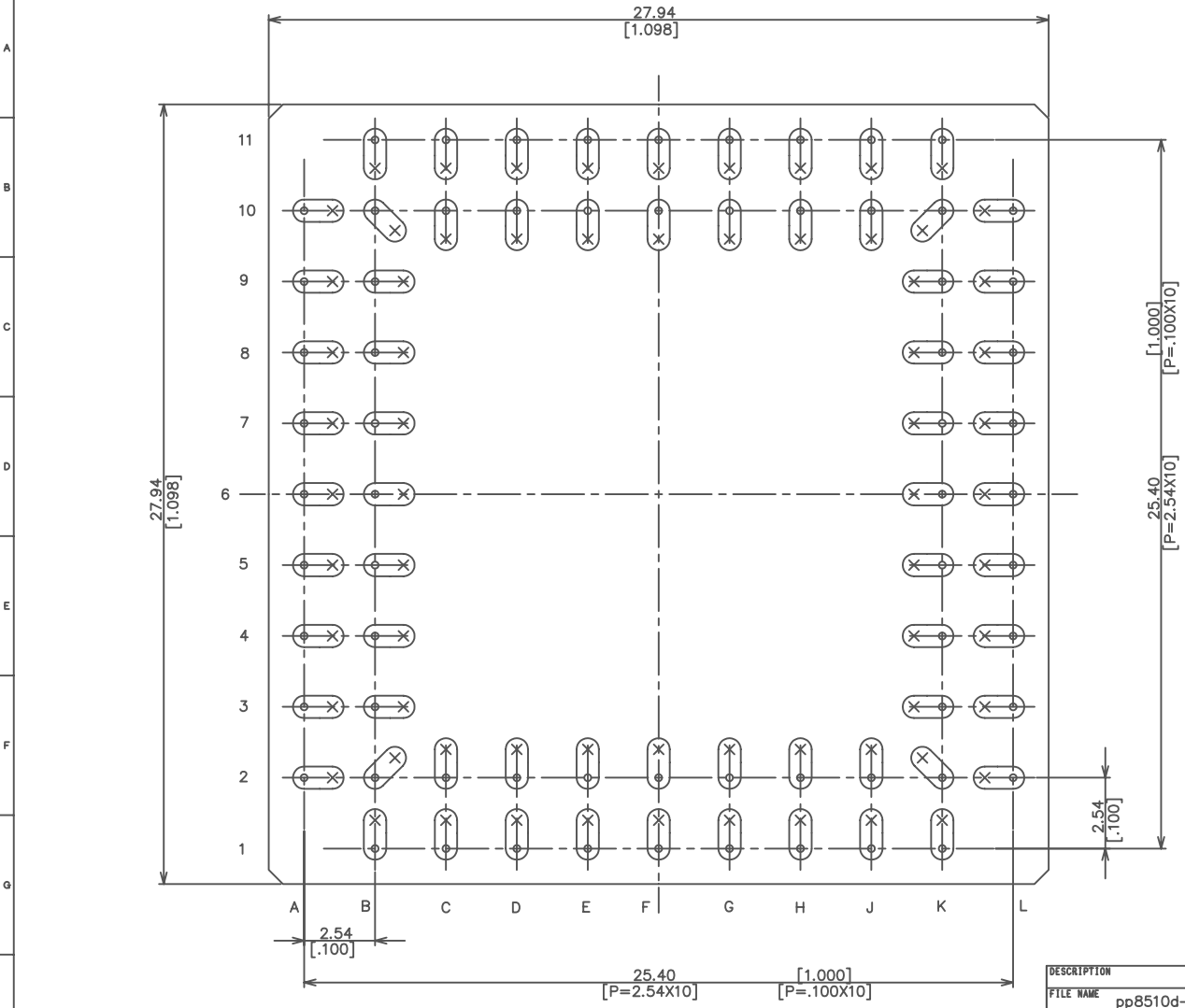
SSM P/N CPG06863



SSM P/N CPG06863

NTK

| LATEST REVISION'S DESCRIPTION | | |
|-------------------------------|--|--|
| | | |



| | |
|----------|--|
| MODIFIED | |
| DWG NO. | |

| | | | |
|-------------|----------|-----------|--------------------------|
| DESCRIPTION | DRAWN | Y. SUZUKI | NTK |
| FILE NAME | CHECKED | T. NOMURA | NGK SPARK PLUG CO., LTD. |
| CUSTOMER | APPROVED | T. NOMURA | TITLE |
| DWG NO. | UNIT | MM [INCH] | M-1 PATTERN |
| | SCALE | | P-IPK-862A-3 |

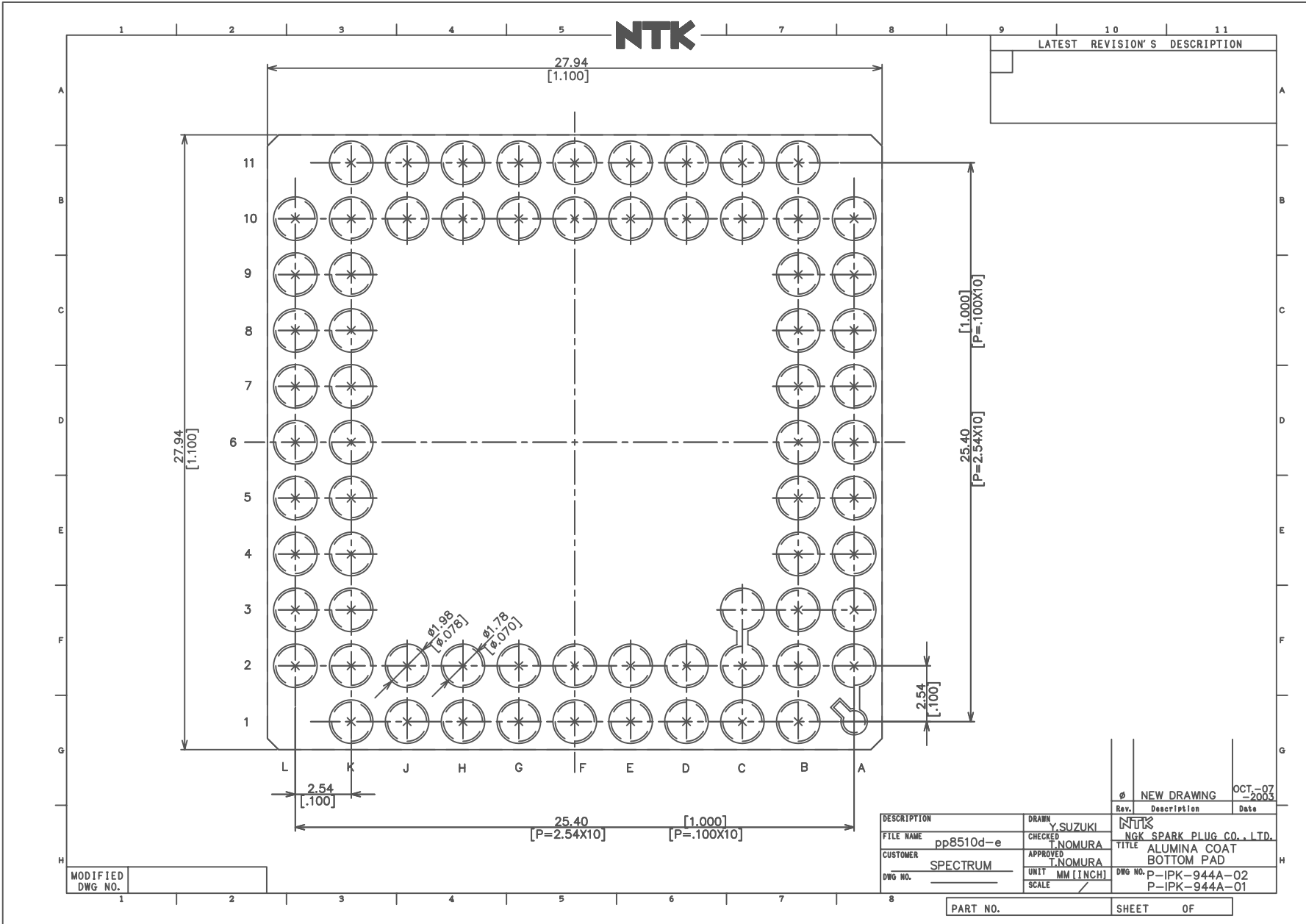
| | | |
|------|-------------|--------|
| | NEW DRAWING | OCT-07 |
| Rev. | Description | Date |
| | | 2003 |

PART NO. SHEET OF



SSM P/N CPG06863

NTK



| LATEST REVISION'S DESCRIPTION | |
|-------------------------------|--|
| | |

| Rev. | Description | Date |
|------|-------------|-------------|
| 0 | NEW DRAWING | OCT-07-2003 |

| | | | |
|-------------|----------|-----------|--------------------------|
| DESCRIPTION | DRAWN | Y. SUZUKI | NTK |
| FILE NAME | CHECKED | T. NOMURA | NGK SPARK PLUG CO., LTD. |
| CUSTOMER | APPROVED | T. NOMURA | TITLE |
| DWG NO. | UNIT | MM [INCH] | P-IPK-944A-02 |
| | SCALE | / | P-IPK-944A-01 |

PART NO. _____ SHEET _____ OF _____



