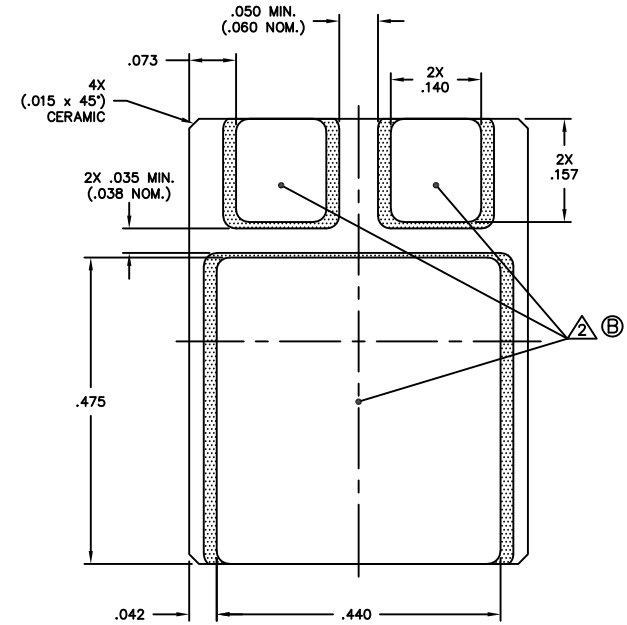
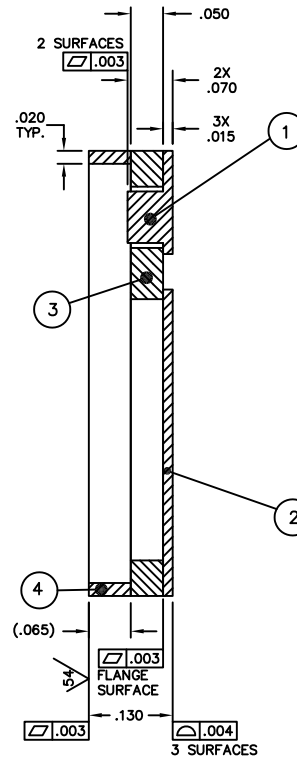
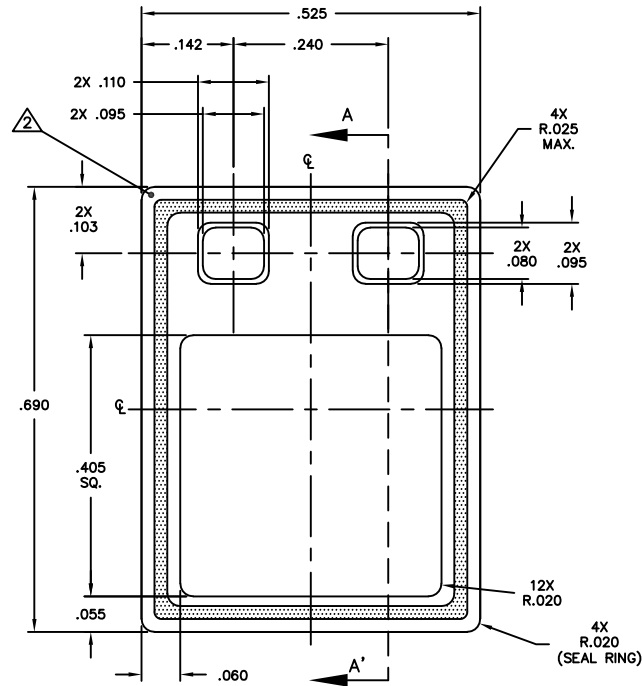


# SSM P/N SMD20001

4 A2506/A2712/A2766

RELEASED 05-16-16

| NO. | REVISIONS   | BY/DATE          | APPV. BY         |
|-----|---|------------------|------------------|
| A   | INITIAL RELEASE PER ECN M101534.                                | J.S.<br>07-24-15 | S.H.<br>07-27-15 |
| B   | CHANGED PLATING THICKNESS MEASUREMENT LOCATION PER ECN M102626. | J.S.<br>11-23-15 | E.S.<br>12-04-15 |
| C   | 100-600 μ" Ni WAS 100-350 μ" PER ECN M103237.                   | J.S.<br>04-11-16 | S.H.<br>05-06-16 |



**NOTES:**

- ①. METALLIZATION/PLATING: REFRACTORY METAL + ELECTROLYTIC Ni (100-600 μ") + Au (50-150 μ"). GAP BETWEEN WCu PEDESTAL AND CERAMIC EXCLUDED FROM PLATING SPEC.
- ⚠ MEASURE PLATING THICKNESS AT THESE 4 APPROXIMATE LOCATIONS USING XRF EQUIPMENT.
- 3. SEAL RING TO BE ELECTRICALLY ISOLATED FROM BONDING PADS.
- 4. HERMETICITY: LEAKAGE NOT TO EXCEED 1.0 X 10<sup>-8</sup> atm CC/SEC He.
- 5. PLATING MUST WITHSTAND 420°C IN REDUCING ATMOSPHERE FOR 2 MINUTES WITHOUT BLISTERING OR FLAKING. DISCOLORATION ALLOWED PROVIDED THAT SURFACE DOES NOT IMPEDE SOLDERING OR WIRE BONDING.

| ITEM | DESCRIPTION | MATERIAL                                | REQ'D. | DRAWING NO. |
|------|-------------|---|--------|-------------|
| 4    | SEAL RING   | KOVAR (ASTM F-15)                       | 1      | 15458       |
| 3    | MEP CERAMIC | Al <sub>2</sub> O <sub>3</sub> 90% NOM. | 1      | 15424-MEP   |
| 2    | FLANGE      | 85%W/15%Cu                              | 1      | 15457       |
| 1    | FLANGE      | 85%W/15%Cu                              | 2      | 15591       |

BILL OF MATERIALS

| P001     | AS SHOWN    |
|----------|-------------|
| PART NO. | DESCRIPTION |

|  |  |   |  |
|--|--|---|--|
| TOLERANCE UNLESS SPECIFIED<br>.XX ± .01<br>.XXX ± .005<br>.000X ±<br>ANGLES ± 5° | DRAWN BY<br>J.SERNA<br>DATE 07-24-15<br>CHECKED BY<br>C.NISWANDER<br>DATE 07-24-15<br>APPROVED BY<br>S.HIRA<br>DATE 07-27-15 | <br>COMPANY CONFIDENTIAL<br>SAN DIEGO PLANT<br>KYOCERA AMERICA INC.<br>8611 BALBOA AVENUE<br>SAN DIEGO, CA 92123-1580 | NAME<br>FINAL ASSEMBLY<br>MATERIAL<br>NOTED<br>PROJECT<br>SMD-2.0<br>DWG. NO.<br>SD-570-A2831<br>REV.<br>C<br>DR. N:<br>SHEET 1 OF 1 |
|--|--|---|--|

