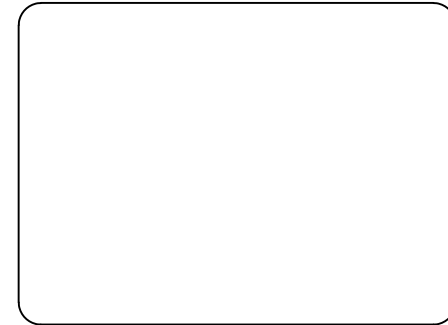
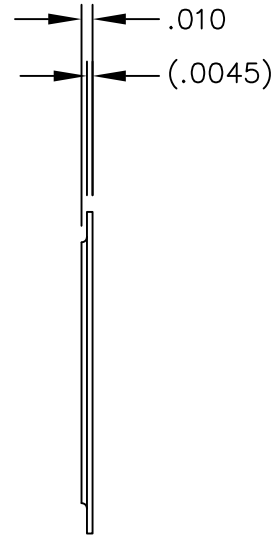
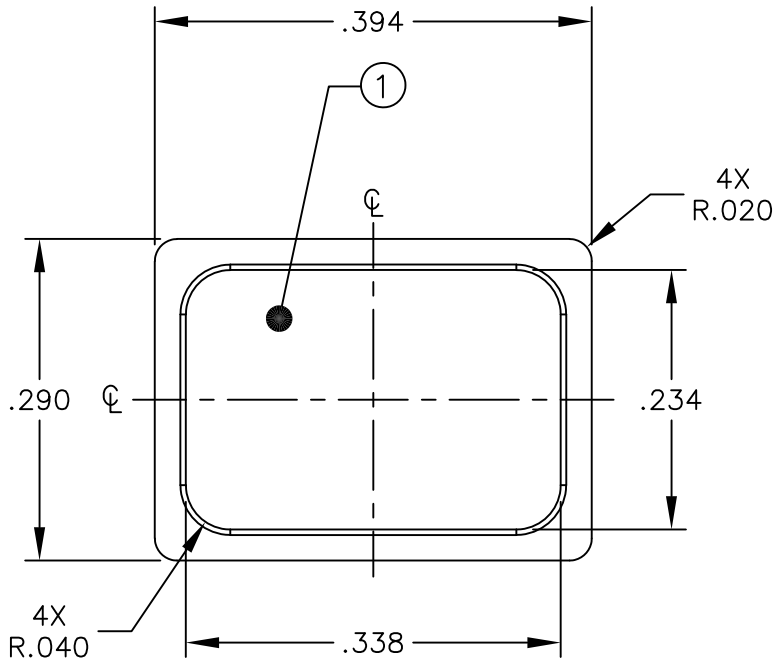


SSM P/N SL394290

1 15864

RELEASED 05-04-16

LET.	REVISIONS	BY/DATE	APPV. BY
A	INITIAL RELEASE PER ECN M102833.	J.S. 12-04-15	S.H. 02-01-16

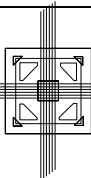


PART NO.	DESCRIPTION
P002	100-300 μ" ELECTROLYTIC Ni.
P001	50 μ" Au OVER 100-300 μ" ELECTROLYTIC Ni.

1. PLATING: SEE CHART.
2. RACK MARKS ALLOWED ON EDGES UP TO .020".

ITEM NO.	DESCRIPTION	MATERIAL	REQ'D.	DRAWING NO.
1	LID	ASTM F-15	1	15864
BILL OF MATERIALS				

TOLERANCE UNLESS SPECIFIED .XX ± .005 .XXX ± .005 ANGLES	DRAWN BY J.SERNA	 COMPANY CONFIDENTIAL SAN DIEGO PLANT KYOCERA AMERICA INC. 9611 BALBOA AVENUE SAN DIEGO, CA 92123-1580	NAME PLATED LID	
	DATE 12-04-15		MATERIAL SEE BOM	
	CHECKED BY M.SHANE		PROJECT SMD 0.5	
	DATE 01-20-16		DWS. NO. SD-570-A2905	
DIMS. ARE IN INCHES	APPROVED BY S.HIRA	9611 BALBOA AVENUE SAN DIEGO, CA 92123-1580	REV. A	
SCALE 1X	DATE 02-01-16		DIR. N: SHEET 1 OF 1	
DO NOT SCALE PRINT				



SPECTRUM
SEMICONDUCTOR MATERIALS, INC.