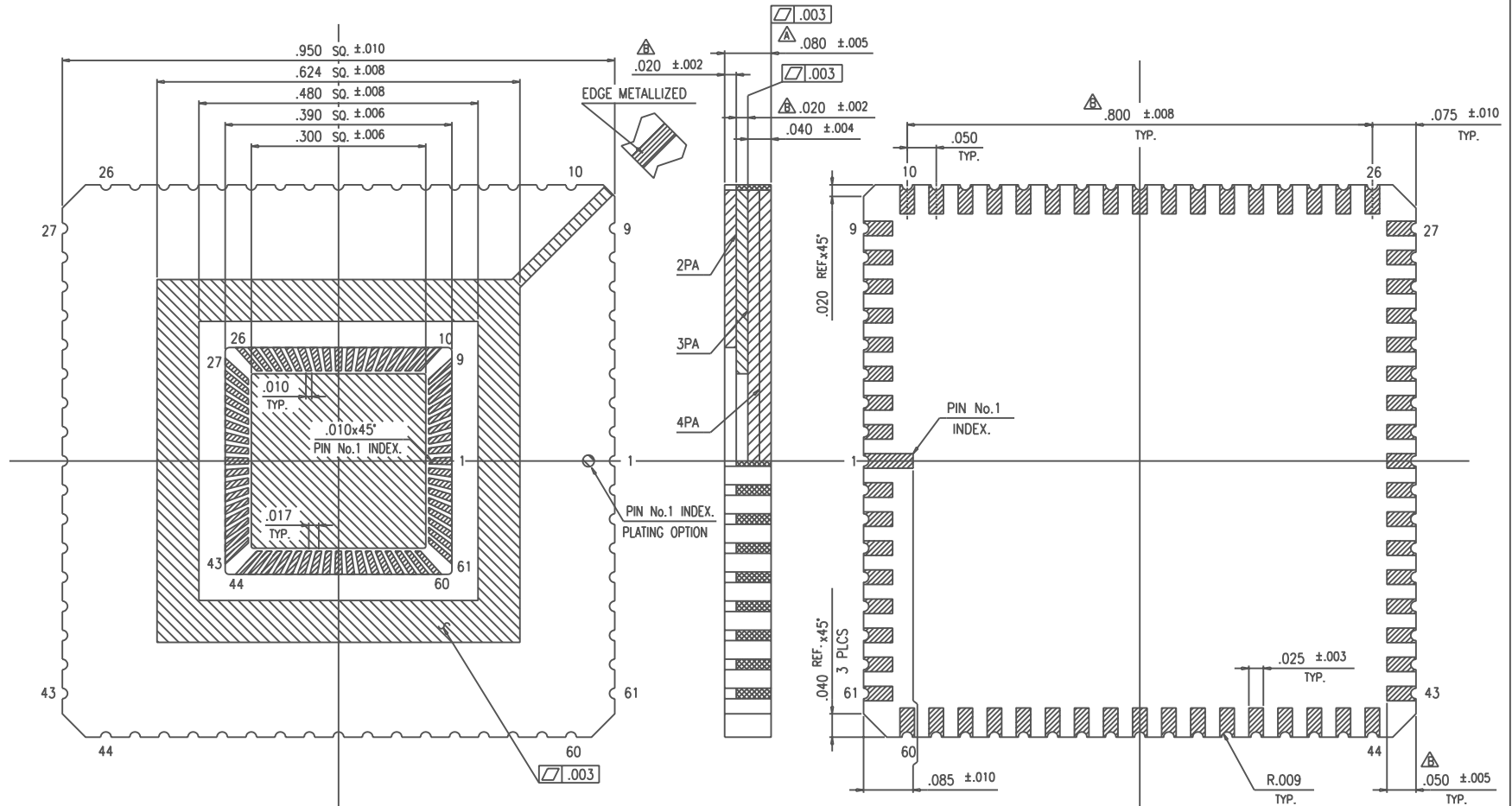


SSM P/N LCC06850

SHALLOW



NOTES:

1. ALL EXPOSED METALLIZED AREA SHALL BE GOLD PLATED 60 MICRO INCHES MIN. THK. OVER NICKEL PLATE UNLESS OTHERWISE SPECIFIED IN PURCHASE ORDER.
2. FLATNESS PERTAINS TO METALLIZED PADS ONLY.
3. SEAL AREA AND DIE ATTACH AREA SHALL BE ISOLATED FROM ANY LEADS. (ZERO GROUND)
4. LEAD RESISTANCE : 0.18 OHMS. MAX..

5.

PART No.	KC NAME	METALLIZATION	
		SEAL RING	DIE ATTACH
01	IEB-68CZ	WITH	WITH
02		WITHOUT	WITHOUT

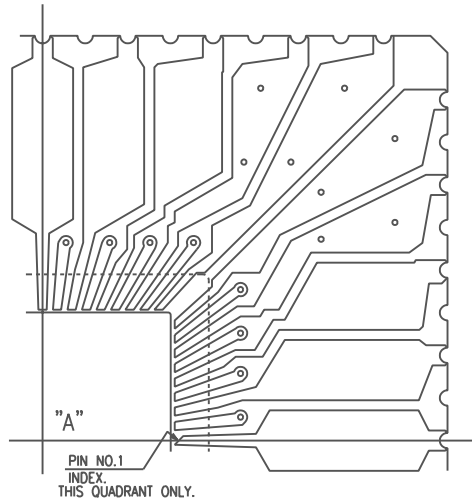
S=0
D=0

MODIFICATIONS	DESCRIPTION	DATE	DRAWN	CHECKED	APPROVED	NAME	SCALE	MATERIAL	TOLERANCES UNLESS OTHERWISE SPECIFIED	DRAWN	CHECKED	APPROVED	DATE
										S.I	T.I	T.O	Y.S
△	CHANGED ; TOLERANCE	7-9-88	Y.M	T.J	T.O	Y.S	8/1	KYOCERA A-440	± .005				
△	CHANGED ; TOLERANCE	1-21-88	T.I	H.I	T.O								
	CHANGE												

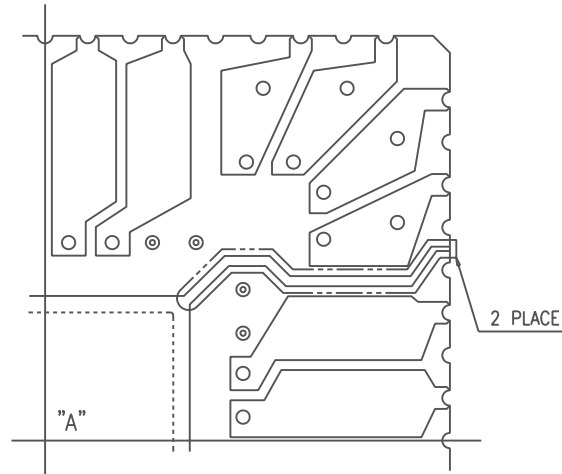
PB-23448-B-01 MOD.



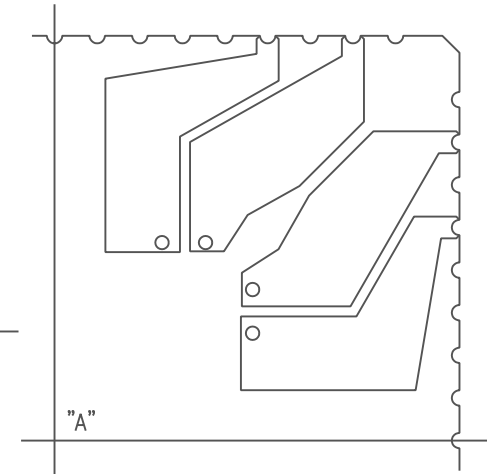
DRAWING NO. PB-C87671-B SHEET 1/2



2PA PATTERN



3PA PATTERN



4PA PATTERN

NOTE;

THIS DWG .SHOWS ONLY TOP RIGHT QUADRANT OF THE WHOLE PATTERN
AND THREE(3) OTHER QUADRANTS ARE SYMMETRICAL WITH RESPECT TO POINT "A".

MODIFICATIONS						NAME	68 LCC (.300 SQ. CAV.)	TOLERANCES:	DRAWN	CHECKED	APPROVED	DATE
						SCALE	10/1	UNLESS OTHERWISE SPECIFIED	T.J	H.U		1-21-'88
						MATERIAL		DWG HOLE PROJECTION				
	CHANGE		DATE	DRAWN	CHECKED	APPROVED	KYOCERA	KYOCERA CORPORATION KYOTO JAPAN	DRAWING NO.	PB-C87671-B		SHEET 2/2

