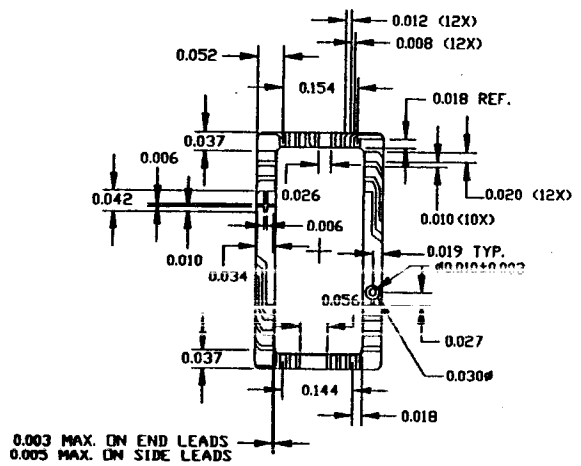
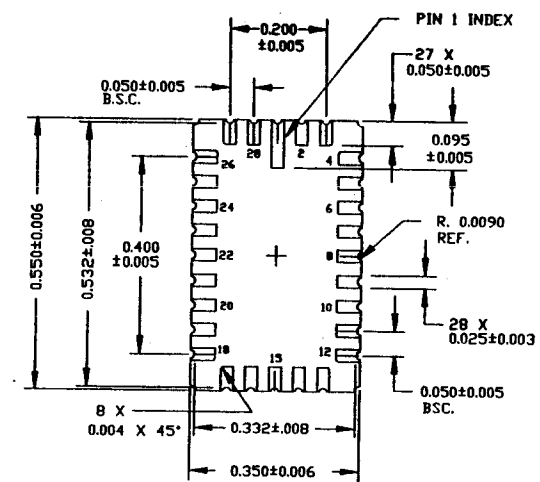
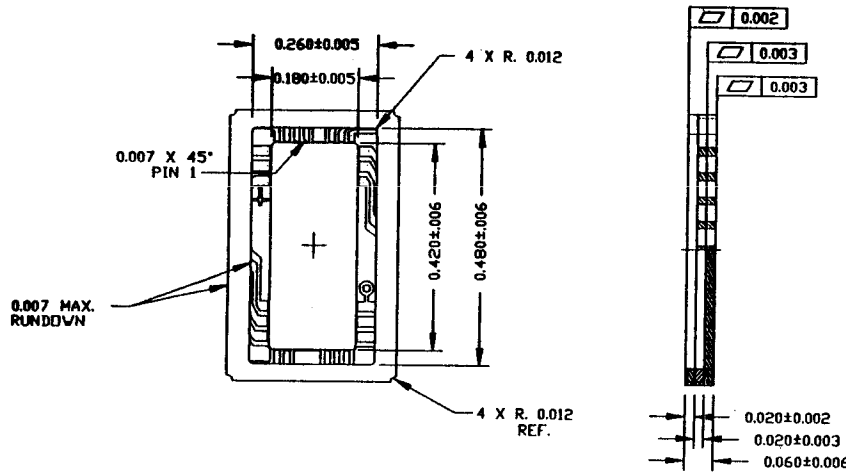


SSM P/N LCC02853



- NOTES:
1. INTERPRET DRAWING PER DOD-STD-100.
  2. DIMENSIONS ARE TYPICAL FOR ALL QUADRANTS UNLESS OTHERWISE SPECIFIED.
  3. BOND FINGERS AND SEAL RING WILL BE PLATED WITH GOLD (80 μ IN. MIN.) OVER NICKEL (80 μ IN. MIN.). DIE ATTACH CAVITY WILL HAVE NO METALIZATION.
  4. DIE ATTACH CAVITY AND SEAL RING WILL BE ELECTRICALLY ISOLATED.

UNLESS OTHERWISE SPECIFIED		DESIGNED BY	DATE			
ALL DIMENSIONS ARE IN INCHES		DRAWN	DATE			
STANDARD TOLERANCES IN:		HTN	07/20/98			
DECIMALS	ANGLES	CHK BY	DATE			
0.001	0.001					
0.002	0.002	APPROVED BY	DATE			
0.003	0.003					
0.005	0.005					
MATERIAL SEE NOTES				TITLE	28LD RECT. LCC 180 X 420 (HLCC PKG)	
FINISH: SEE NOTES				SIZE	PART NO.	REV
				C	51-20213	MB
				SCALE	5:1	
					SHEET 1 OF 1	

