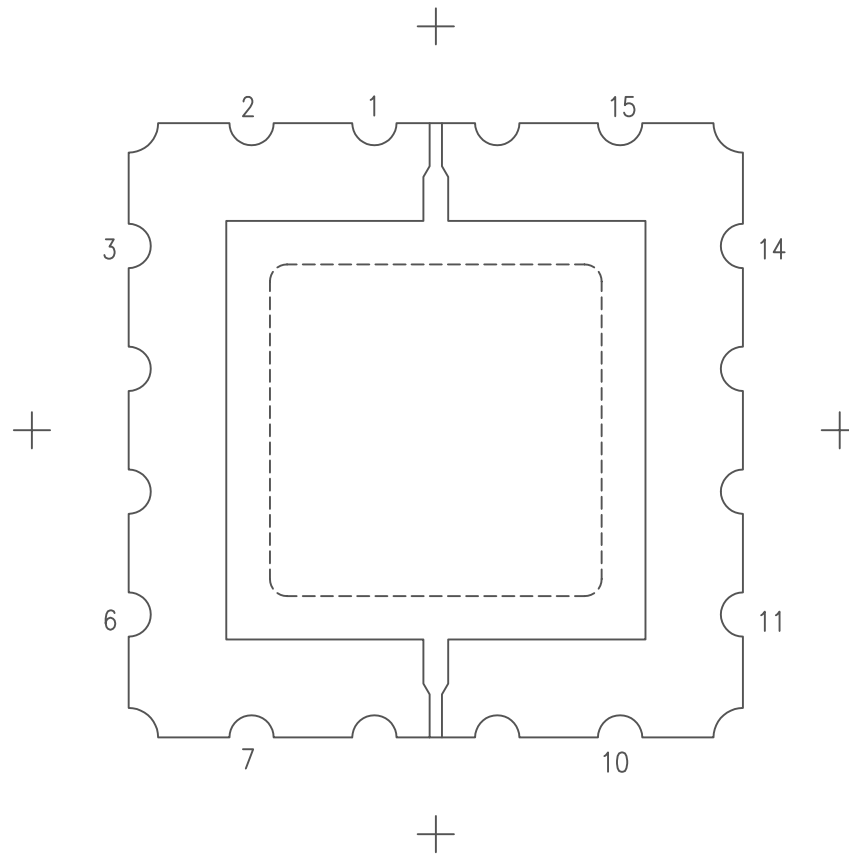


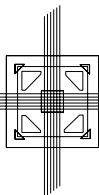


# SSM P/N LCC01627



4 PA

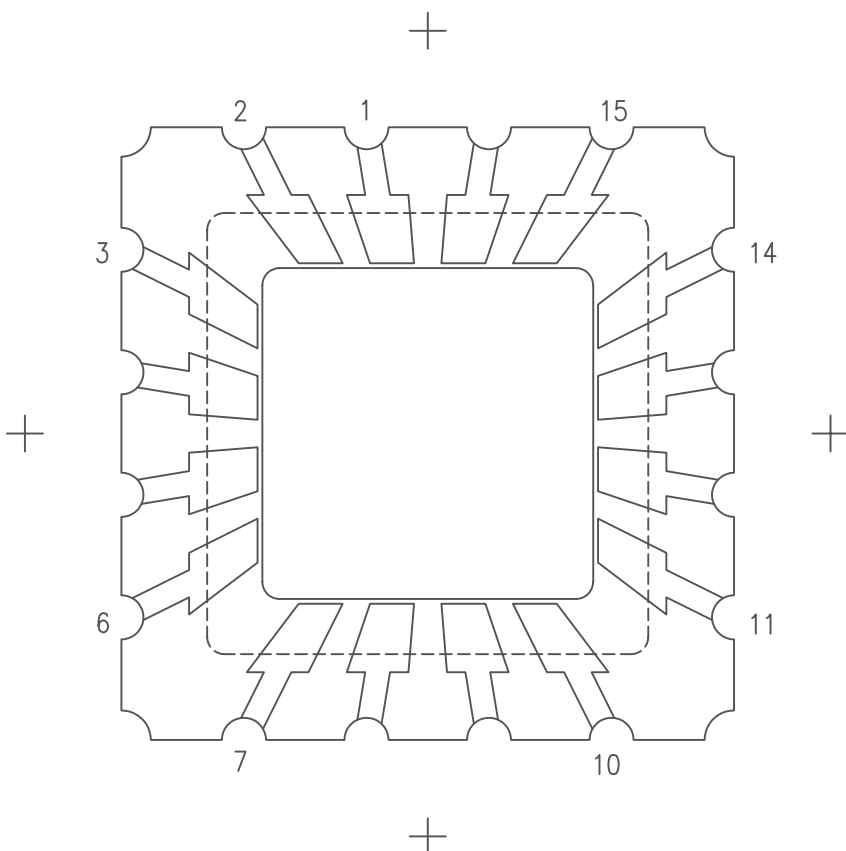
MODIFICATIONS						NAME	16 LCC (.135 SQ. CAV.)	TOLERANCES: UNLESS OTHERWISE SPECIFIED	DRAWN	CHECKED	APPROVED	DATE
						SCALE	20 / 1		K.O	T.Y	M.K	NOV.11.'03
						MATERIAL		THIRD ANGLE PROJECTION		UE.		
	CHANGE	DATE	DRAWN	CHECKED	APPROVED	KYOCERA	KYOCERA CORPORATION KYOTO JAPAN	DRAWING NO.	PB-CA3G37		SHEET	4 / 5



**SPECTRUM**  
SEMICONDUCTOR MATERIALS, INC.

www.spectrum-semi.com Phone: 408-435-5555 Fax: 408-435-8226

# SSM P/N LCC01627

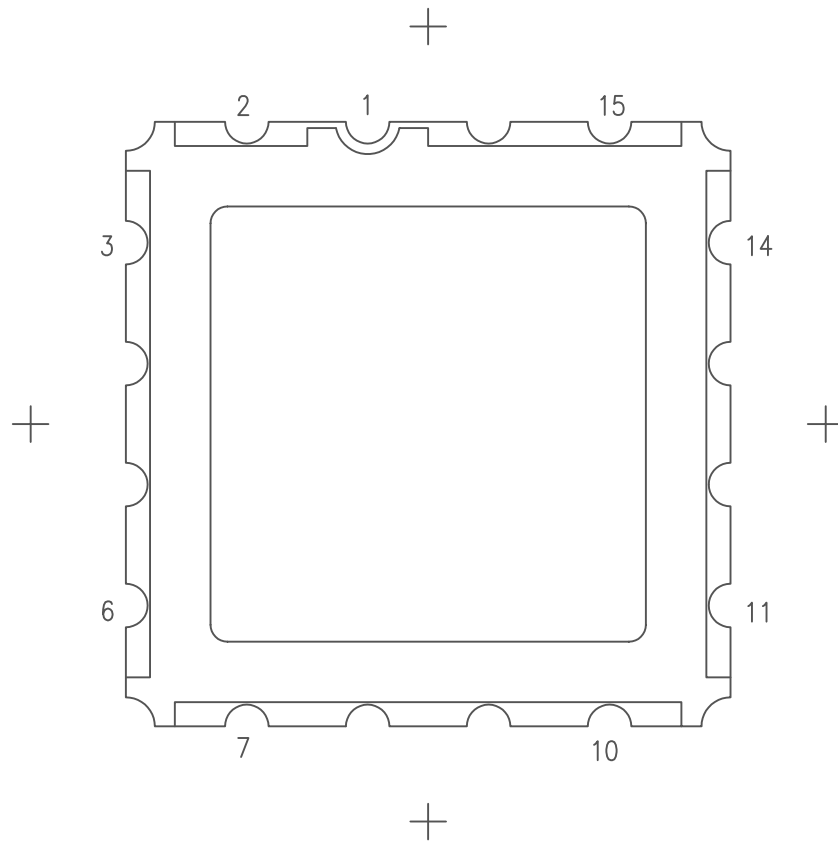


2 PA

MODIFICATIONS						NAME	16 LCC (.135 SQ. CAV.)	TOLERANCES: UNLESS OTHERWISE SPECIFIED	DRAWN	CHECKED	APPROVED	DATE	
						SCALE	20/1	MATERIAL	K.O	T.Y	UE.	M.K	NOV.11.'03
								THIRD ANGLE PROJECTION					
	CHANGE	DATE	DRAWN	CHECKED	APPROVED		KYOCERA CORPORATION KYOTO JAPAN	DRAWING NO.	PB-CA3G37		SHEET	3/5	

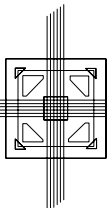


# SSM P/N LCC01627



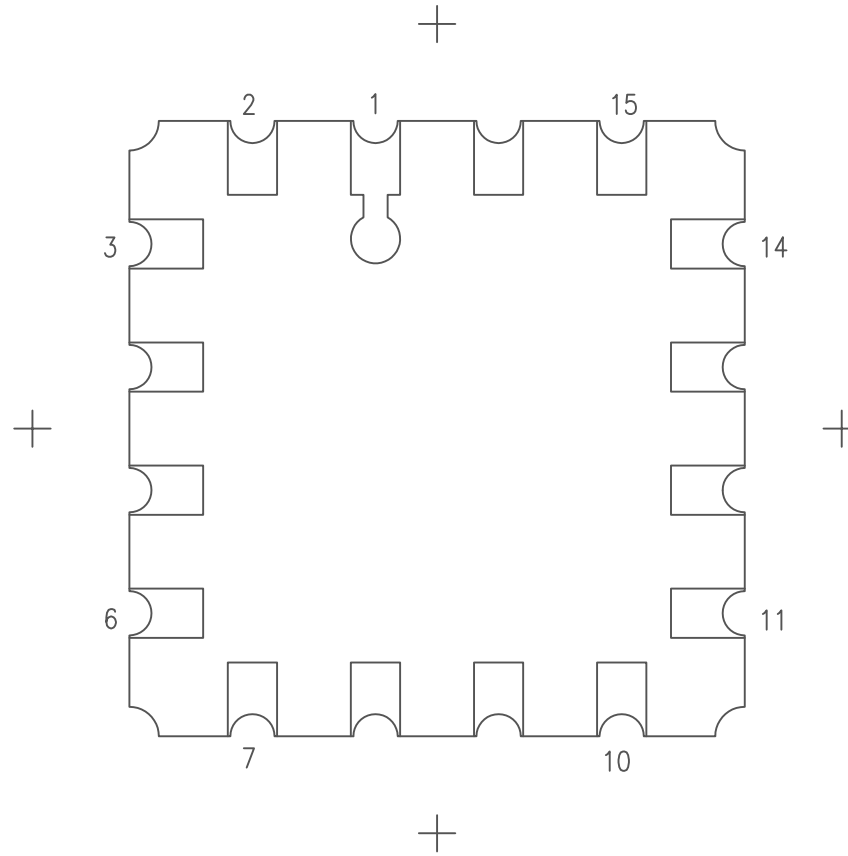
1 PA

MODIFICATIONS						NAME	16 LCC (.135 SQ. CAV.)	TOLERANCES: UNLESS OTHERWISE SPECIFIED	DRAWN	CHECKED	APPROVED	DATE
						SCALE	20/1	MATERIAL	K.O	T.Y	UE	NOV.11.'03
								THIRD ANGLE PROJECTION				
	CHANGE	DATE	DRAWN	CHECKED	APPROVED	KYOCERA	KYOCERA CORPORATION KYOTO JAPAN	DRAWING NO.	PB-CA3G37		SHEET	2/5



**SPECTRUM**  
SEMICONDUCTOR MATERIALS, INC.

www.spectrum-semi.com Phone: 408-435-5555 Fax: 408-435-8226



4 PB  
(TOP VIEW)

MODIFICATIONS						NAME	16 LCC (.135 SQ. CAV.)	TOLERANCES: UNLESS OTHERWISE SPECIFIED	DRAWN	CHECKED	APPROVED	DATE	
						SCALE	20 / 1	MATERIAL	K.O	T.Y	U.E.	M.K	NOV.11.03
								THIRD ANGLE PROJECTION					
	CHANGE	DATE	DRAWN	CHECKED	APPROVED	KYOCERA	KYOCERA CORPORATION KYOTO JAPAN	DRAWING NO.	PB-CA3G37		SHEET	5 / 5	



