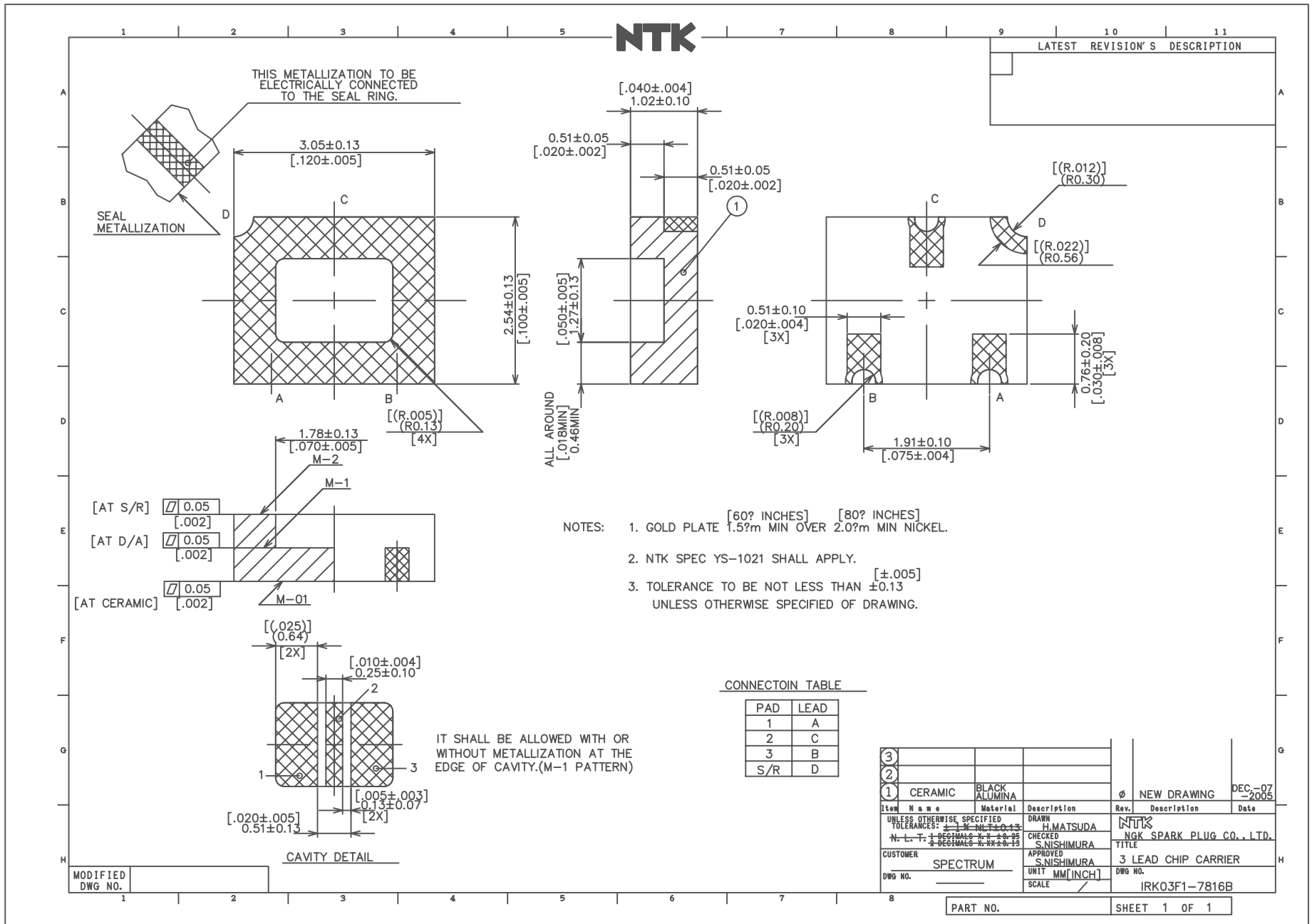
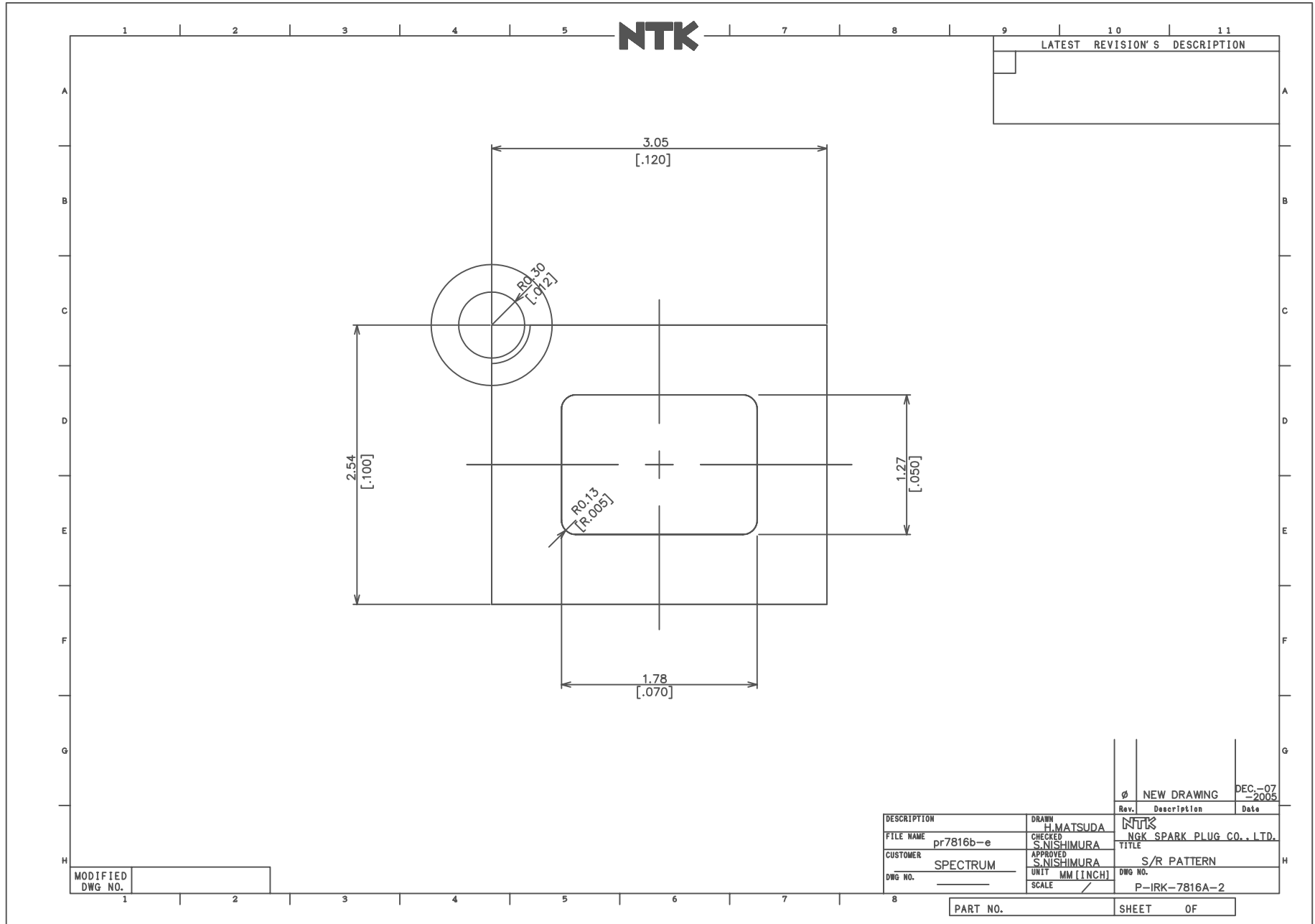


SSM P/N LCC00310



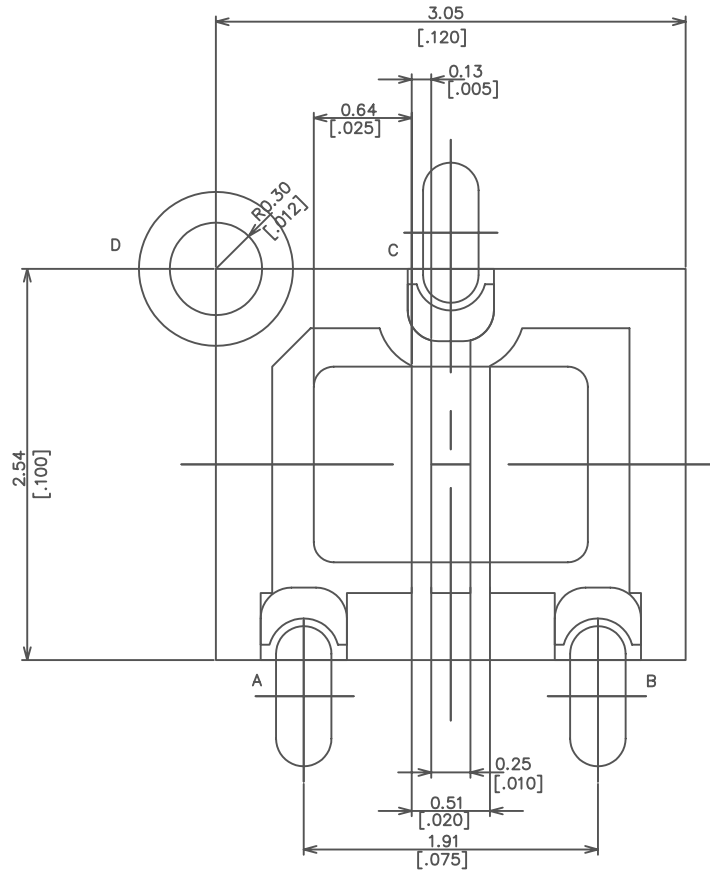
SSM P/N LCC00310



SSM P/N LCC00310

NTK

LATEST REVISION'S DESCRIPTION



MODIFIED
DWG NO.

DESCRIPTION	DRAWN H. MATSUDA	Rev.	NEW DRAWING	Date	DEC.-07 -2005
FILE NAME pr7816b-e	CHECKED S. NISHIMURA	TITLE NGK SPARK PLUG CO., LTD.			
CUSTOMER SPECTRUM	APPROVED S. NISHIMURA	D/A PATTERN			
DWG NO.	UNIT MM [INCH]	DWG No. P-IRK-7816B-1			
SCALE					

PART NO.

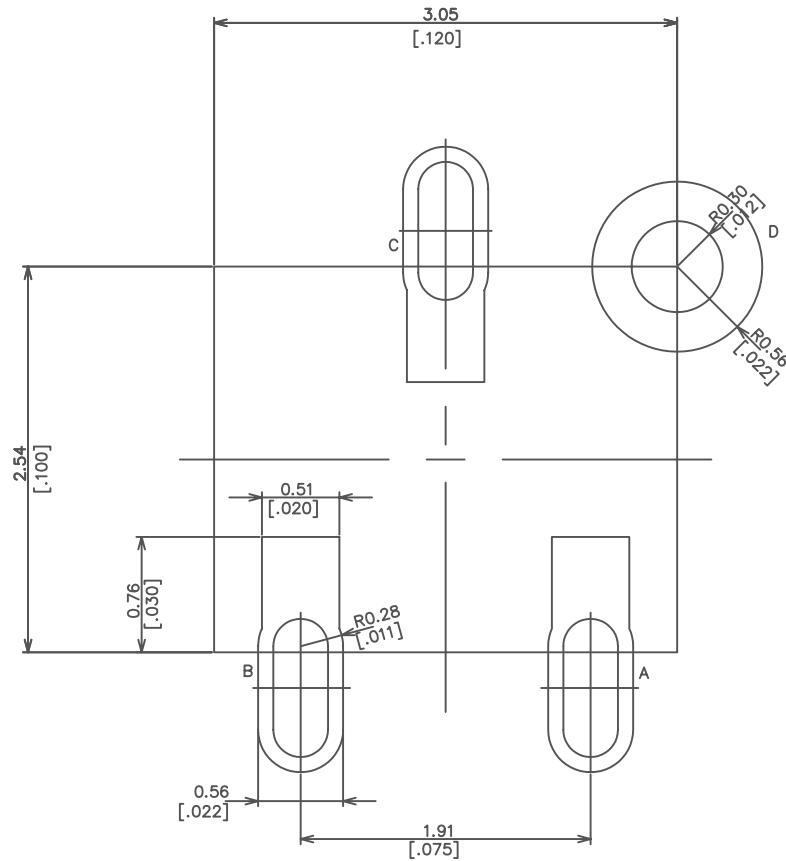
SHEET OF



SSM P/N LCC00310

NTK

LATEST REVISION'S DESCRIPTION

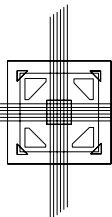


MODIFIED
DWG NO.

DESCRIPTION	DRAWN	NEW DRAWING	DEC.-07
FILE NAME	CHECKED	DESCRIPTION	Date
pr7816b-e	S.NISHIMURA	NTK	-2005
CUSTOMER	APPROVED	TITLE	
SPECTRUM	S.NISHIMURA	NGK SPARK PLUG CO., LTD.	
DWG NO.	UNIT	M-01 PATTERN	
	MM [INCH]	DWG NO.	
	SCALE	P-IRK-7816A-01	

PART NO.

SHEET OF



SPECTRUM
SEMICONDUCTOR MATERIALS, INC.

www.spectrum-semi.com Phone: 408-435-5555 Fax: 408-435-8226