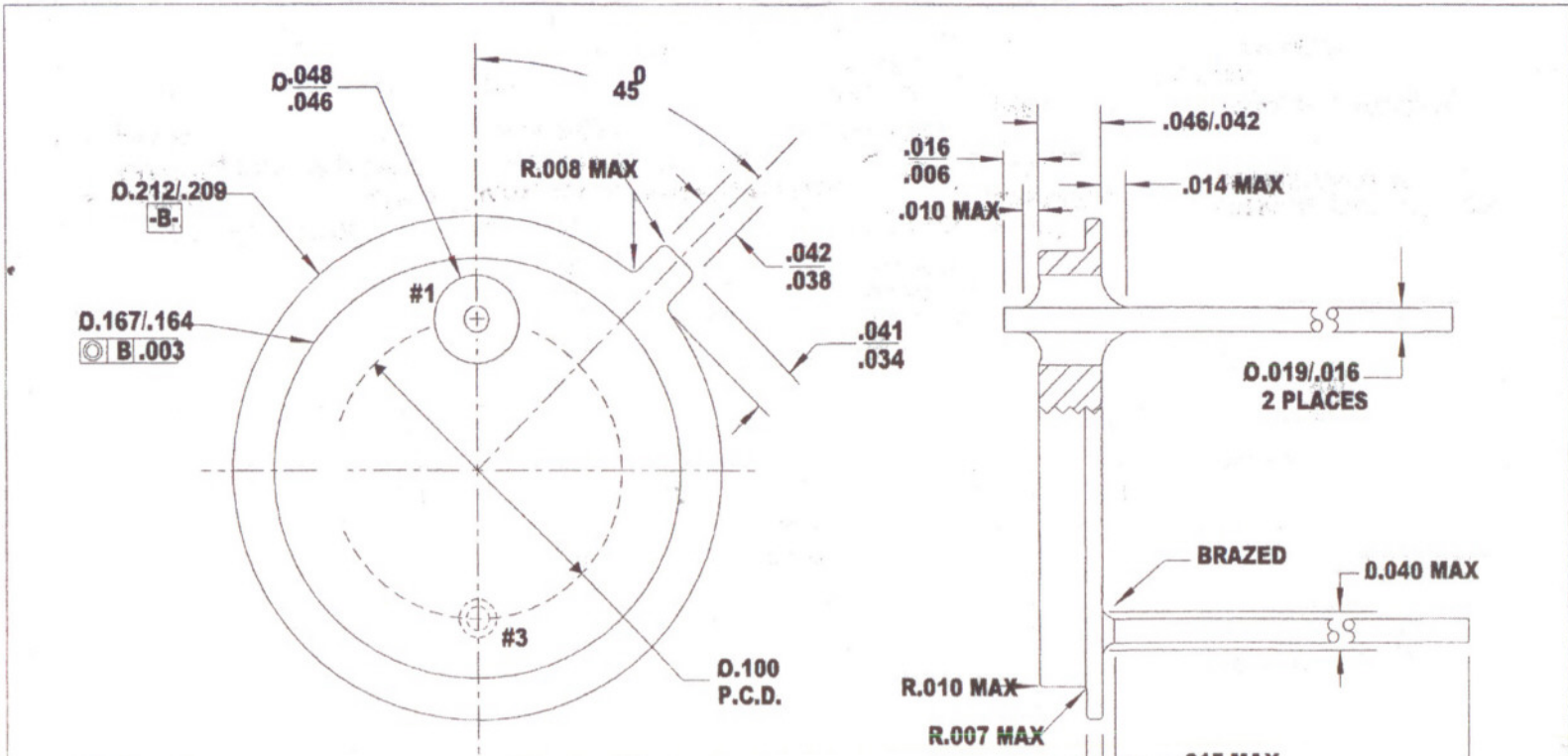


SSM P/N HDR04621



NOTES:
1. POST TOPS FREE OF GLASS.

DASH#	Gold Plate	Nickel Plate
-50	50 μ "AU	100-300 SnNi

REVISION RECORD		MATERIAL: BODY: KOVAR ASTM F15, 42 ALLOY LEADS: KOVAR ASTM F15 GLASS: 7052 OR EQUIV.	TOLERANCES .XX \pm .02 .XXX \pm .005 ANGLES \pm 2 DEG	DR. JWP	TITLE TO-46, 1+1, .500 LEADS
A ORIGINAL	3.28.95			DATE 3.28.95	
B Add plating table: -20, -24, -40	5.19.11	SCALE			
C Add -50	5.25.11	CK			
D Add -25	5.27.11	APPR			
		FINISH: Refer to table	PART NO. 01046-028-X		REV. D

