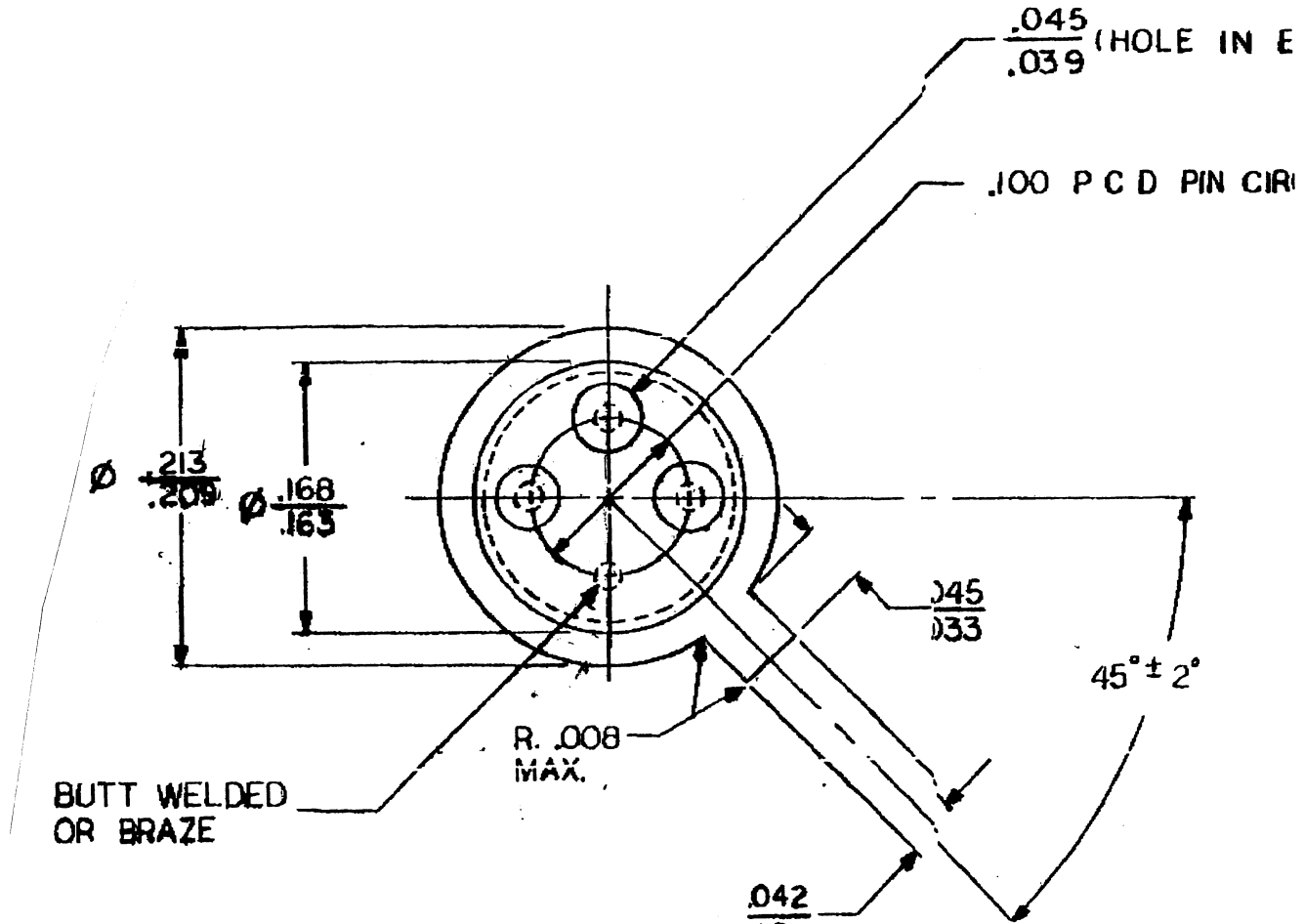
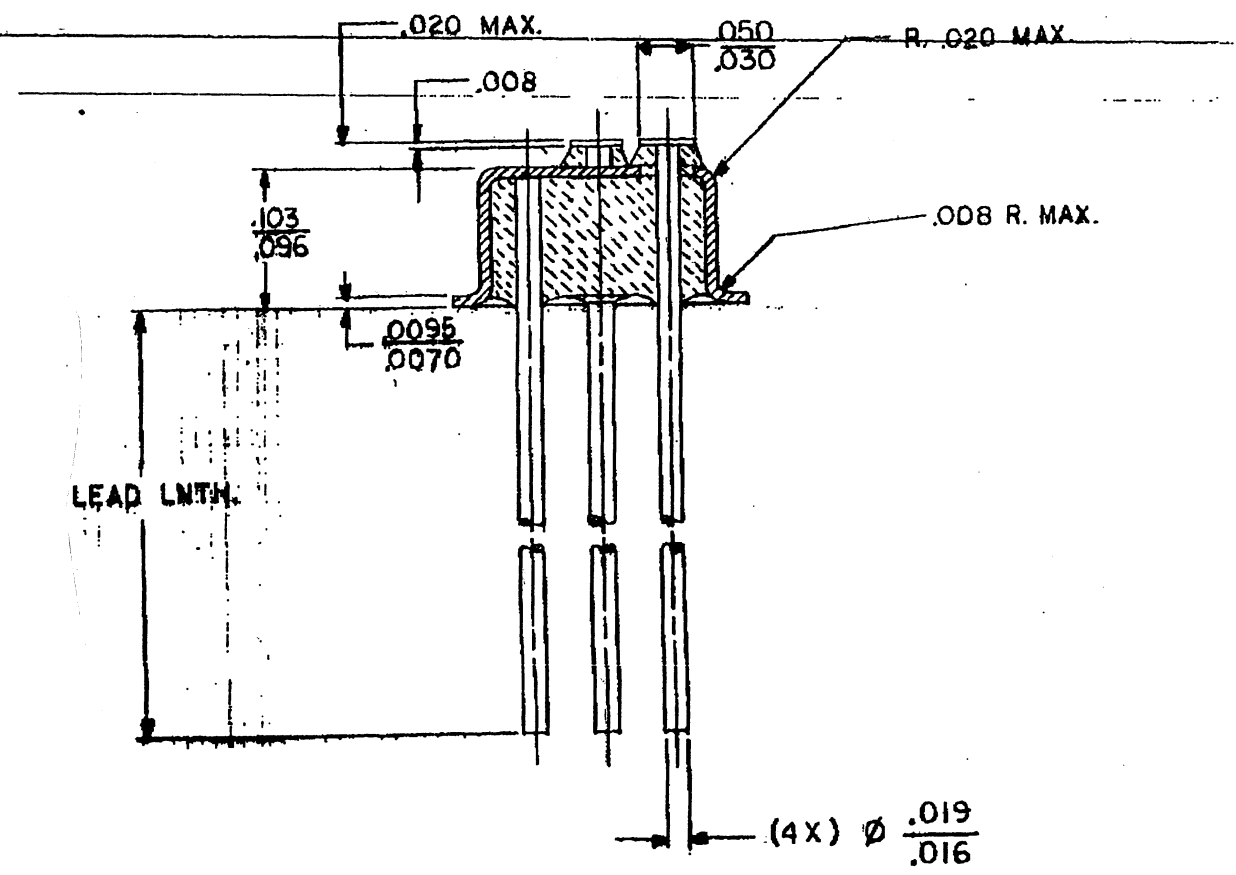


SSM P/N HDR01828



SSM P/N HDR01828



SSM P/N HDR01828

CONTROLLER DISTRIBUTION CODE 2 COPIES

| | | | | | | | | | | | | | | | | | | | |
|-----|-----|-----|-----|-----|-----|-----|-----|-----|-----|-----|-----|-----|-----|-----|-----|-----|-----|-----|-----|
| 1 | 2 | 3 | 4 | 5 | 6 | 7 | 8 | 9 | 10 | 11 | 12 | 13 | 14 | 15 | 16 | 17 | 18 | 19 | 20 |
| 21 | 22 | 23 | 24 | 25 | 26 | 27 | 28 | 29 | 30 | 31 | 32 | 33 | 34 | 35 | 36 | 37 | 38 | 39 | 40 |
| 41 | 42 | 43 | 44 | 45 | 46 | 47 | 48 | 49 | 50 | 51 | 52 | 53 | 54 | 55 | 56 | 57 | 58 | 59 | 60 |
| 61 | 62 | 63 | 64 | 65 | 66 | 67 | 68 | 69 | 70 | 71 | 72 | 73 | 74 | 75 | 76 | 77 | 78 | 79 | 80 |
| 81 | 82 | 83 | 84 | 85 | 86 | 87 | 88 | 89 | 90 | 91 | 92 | 93 | 94 | 95 | 96 | 97 | 98 | 99 | 100 |
| 101 | 102 | 103 | 104 | 105 | 106 | 107 | 108 | 109 | 110 | 111 | 112 | 113 | 114 | 115 | 116 | 117 | 118 | 119 | 120 |
| 121 | 122 | 123 | 124 | 125 | 126 | 127 | 128 | 129 | 130 | 131 | 132 | 133 | 134 | 135 | 136 | 137 | 138 | 139 | 140 |
| 141 | 142 | 143 | 144 | 145 | 146 | 147 | 148 | 149 | 150 | 151 | 152 | 153 | 154 | 155 | 156 | 157 | 158 | 159 | 160 |

2 COPIES

| REV. LET. | REVISION DESCRIPTION | DRAWN BY | ECN NO. | DATE |
|-----------|----------------------------------|----------|---------|----------|
| ORIG | | R.F. | 46031 | 12-13-85 |
| A | CORRECT HEADER HEIGHT DIM. | R.F. | 46357 | 2-27-86 |
| A-1 | Added Cat. #s 7423 and 7433 | S.J. | 49825 | 3-17-87 |
| A-2 | CLARIFICATION TO DIMENSION POINT | R.F. | 50620 | 6-9-87 |
| A-3 | ADDED: CAT. No. 7288 | A.L. | 55112 | 3-9-89 |
| A-4 | CHNG: EYELET DIM. | R.F. | 55892 | 8/14/89 |

NOTES: (UNLESS OTHERWISE SPECIFIED):

- ① FOR INSPECTION CRITERIA SEE M+SS 72.
- 2. POST HEIGHT AND FLANGE THICKNESS ARE MAJOR ACCEPTANCE LEVELS.

③

| CAT. NO. | NICKEL PLATED (μ) | | | GOLD PLATED (μ) | | LEAD LNTH. |
|----------|-------------------------|------|--------|-----------------------|-----------|-------------|
| | PRE-FUSED | LEAD | FINAL | BETA SCOPE MIN. | | |
| | EYELET | | FULL | D/A | THRU LEAD | |
| 7423 | | | 50/350 | 40 (NAIL) | 10 | .500/.560* |
| 7433 | | | 50/350 | 40 | 40 | 1.500/1.560 |
| 7288 | | | Ø | 40 | 40 | .500/.560 |

HDR01828 →

- ④ KOVAR LEADS.

