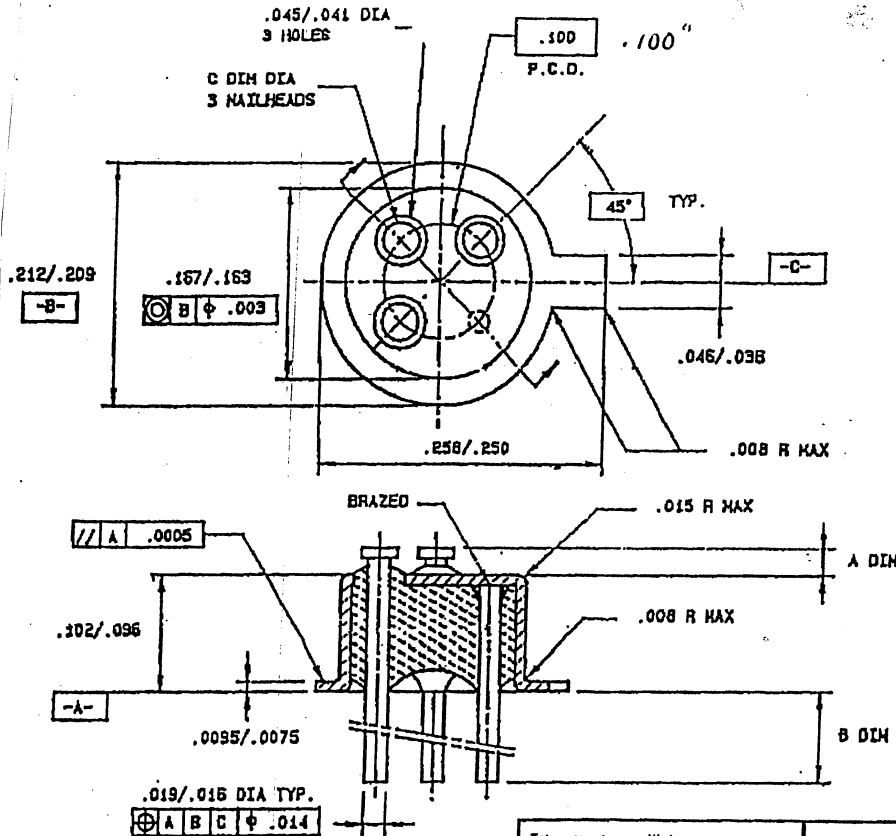


SSM P/N HDR01821  
(Option 2)



REV.	ECN	DATE
A	add -05	31/5/94

MATERIALS :  
 EYELET : KOVAR  
 LEAD (S) : KOVAR  
 GLASS : CORNING 7046,  
 SCHOTT 8250 OR  
 EQUIVALENT

FINISH : TO CUSTOMER SPEC.  
 ALL DIMENSIONS IN INCHES.

PEN #4 GROUND

-X	A DIM	B DIM	C DIM
01	.027/.017	1.560/1.500	.039/.033
02	.029/.019	.560/.500	.037 MIN.
03	.020/.013	.560/.500	.032 MIN.
04	.020/.013	1.560/1.500	.032 MIN.

Tolerances unless specified  
 Inch mm  
 2/128 on fractional dims 2/12 on 2 d-p dims  
 2/100 on 3 d-p dims 2/101 on 3 d-p dims  
 2/1000 on 4 d-p dims  
 2/16 on angular dims

TITLE TO-18 HEADER 3 NAILHEADS 1 GROUND			
DRAWN A	PROJECT NO.	DWG NO P2264-X	
APPROVED	SCALE R: 1	ESTIMATED WT	SHEET 1 OF 1

