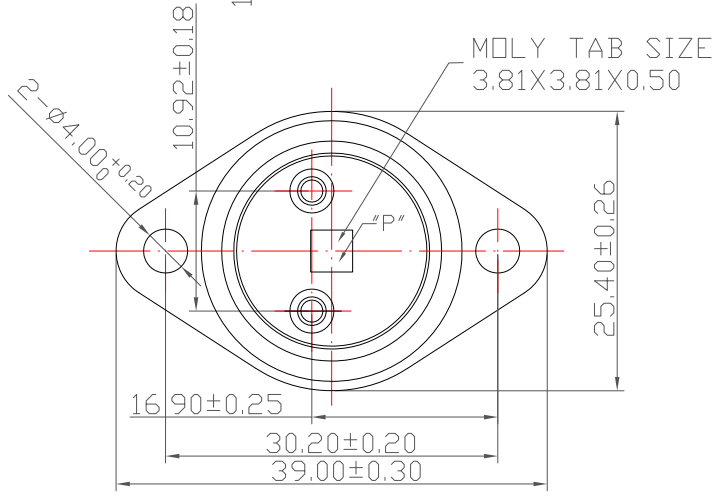
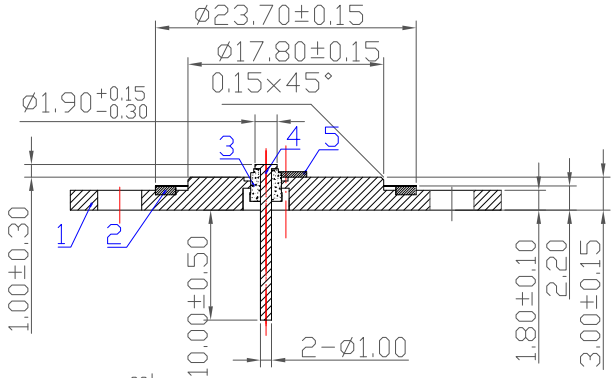


# SSM P/N HDR00337

REVISIONS					
REV	ZONE	ECD #	DESCRIPTION	CHANGED BY	DATE
A			INITIAL DESIGN		01/14/13
B			UPDATE REQUIR.		01/14/13
C			UPDATE REQUIR.		02/26/13



GENERAL SPECIFICATIONS COMPLY WITH MIL-STD-750E AND SCREENED PER MIL-PRF-38354

1. MATERIAL: SEE BOM
2. FINAL FINISH:  
1.27m MIN GOLD PLATED OVER 1.89M NICKEL ON THE ENTIRE SURFACE; GOLD PLATING THICKNESS IS MEASURED AT "P": ON THE TOP OF THE MOLY-TAB.
3. PART MUST EQUAL OR EXCEED  $10^9$  OHMS ISOLATION TEST WITH 500 V.D.C PINS TO CASE
4. BREAKDOWN VOLTAGE: PART MUST PASS 1000V BREAKDOWN VOLTAGE TEST WITH NORMAL TESTING CONDITIONS (INSULATED PINS AND CASE)
5. PART MUST PASS FINE LEAK TEST  $1 \times 10^{-8}$  ATM (HE)/CC/SEC.MAX.

## BILL OF MATERIAL

ITEM	P/N	DESCRIPTION	QTY
1	150-01442-01	HEADER, DHFC COPPER	1
2	150-01442-02	WELD RING, CRS	
3	150-01442-03	CERAMIC EYELET, 95% AL2O3	2
4	150-01442-04	PIN, COPPER-CORE KQVAR	2
5	MOLY-TAB	PURE MOLY	1

TOLERANCE (All Dimensions are in mm unless otherwise specified. Dimensions in [ ] are inches)

.X	.XX	.XXX	ANGLE	FRACTION
--	0.13	---	0.5°	1/64
Drawn By: JOHN ZHAD	Checked By:	Approved By: B. TONG	Scale: 1 : 1	Sheet: 1 of 1

TITLE	HiRel CERAMIC-SEALED, FULL COPPER BASE, Ø1.00 PIN		
P/N	150-01442-00	REVISION	C

