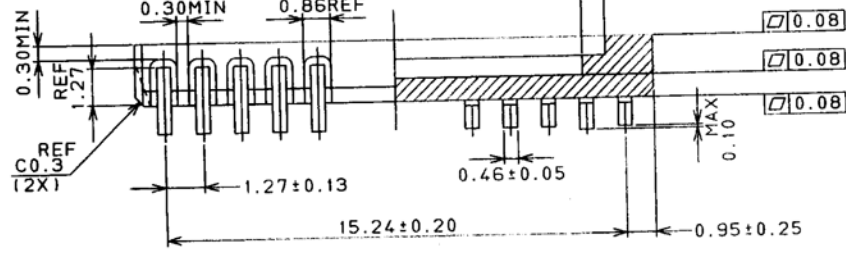
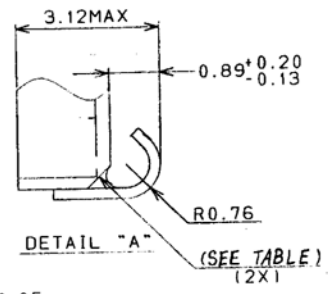
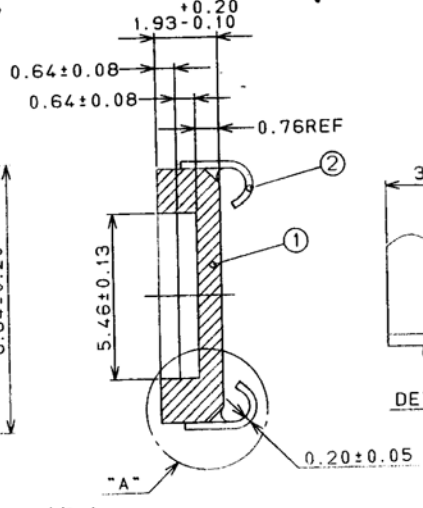
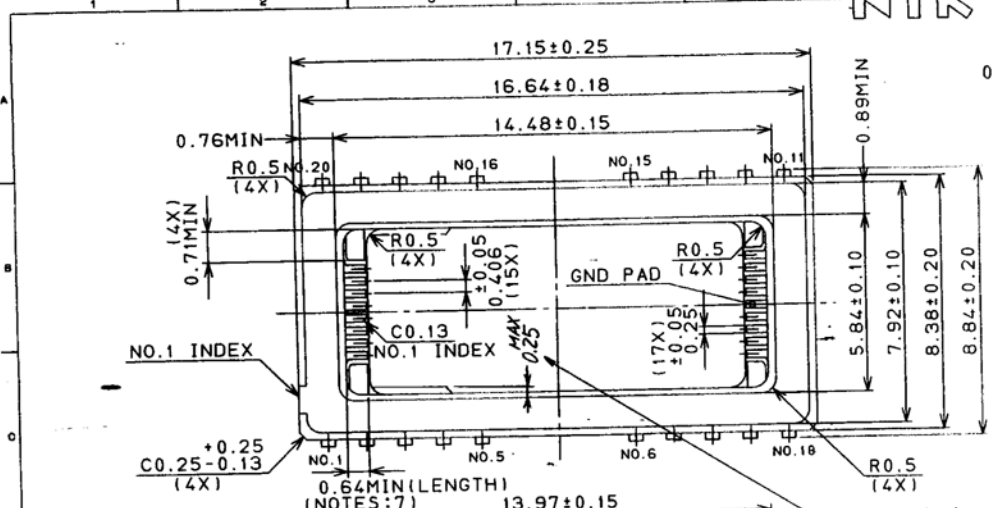


NTK

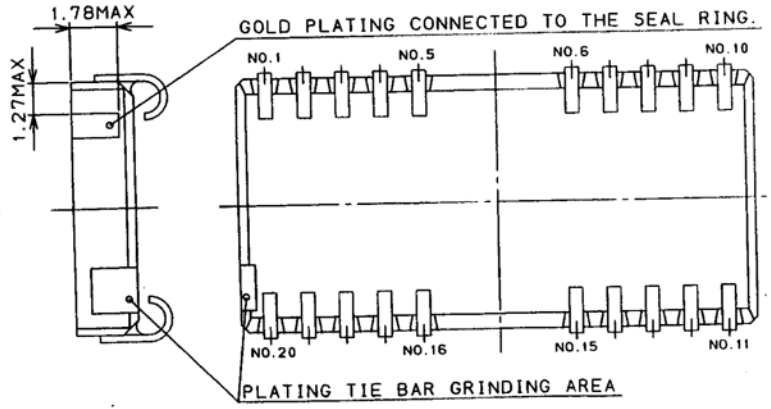
TECHNICAL CERAMICS

LATEST REVISION'S DESCRIPTION

A CORRECTED  
LEAD FRAME BENT SHAPE.



- NOTES:
1. GOLD PLATED 60~225 $\mu$  INCHES OVER 100~350 $\mu$  INCHES NICKEL.
  2. ALL DIMENSIONS ARE  $\pm 0.13$  UNLESS OTHERWISE SPECIFIED.
  3. T.I. SPEC #10-31-210-090 SHALL APPLY.
  4. SEAL RING AND DIE ATTACH ARE NOT GROUNDED TO A LEAD.
  5. DIE ATTACH TO BE ELECTRICALLY CONNECTED TO THE GND PAD.
  6. LEAD RESISTANCE:----- 500m $\Omega$  MAX.
  7. NO METALLIZATION PULL BACK FROM CAVITY EDGE AND ALLOW METALLIZATION RUN-DOWN INTO THE CAVITY 1/3(0.21) THE THICKNESS OF B/G LAYER.



NTK DWG NO.	IDK20F1-7829B	IDK20F1-7829C
SIDE METALLIZATION & CHAMFER DETAIL	REF 0.42 C 0.84±0.20	REF 0.19 C 0.76±0.20

発行  
5.10.20  
技術部  
セラミックス

Rev.	Description	Date
3		
2	LEAD	ALLOY42
1	CERAMIC	BLACK ALUMINA
	REDRAWING	OCT-19 -1993
	NEW DRAWING	OCT.-04 -1991
Lead No.	Material	Description
UNLESS OTHERWISE SPECIFIED	DRAWN	T.Hiei
TOLERANCES: $\pm 1\%$	CHECKED	K.Y.
N.L.T. 0-050MM-22 $\pm 0.1$	APPROVED	G.O.
0-050MM-22 $\pm 0.05$	CUSTOMER	T.I.
	DWG NO.	1021532-0140 REV"B
	UNIT	mm
	SCALE	
	DWG NO.	IDK20F1-7829C
	SIZE	A-2

MODIFIED DWG No. IDK20F1-7829AA

PART NO. SHEET 1 OF 1 M.H