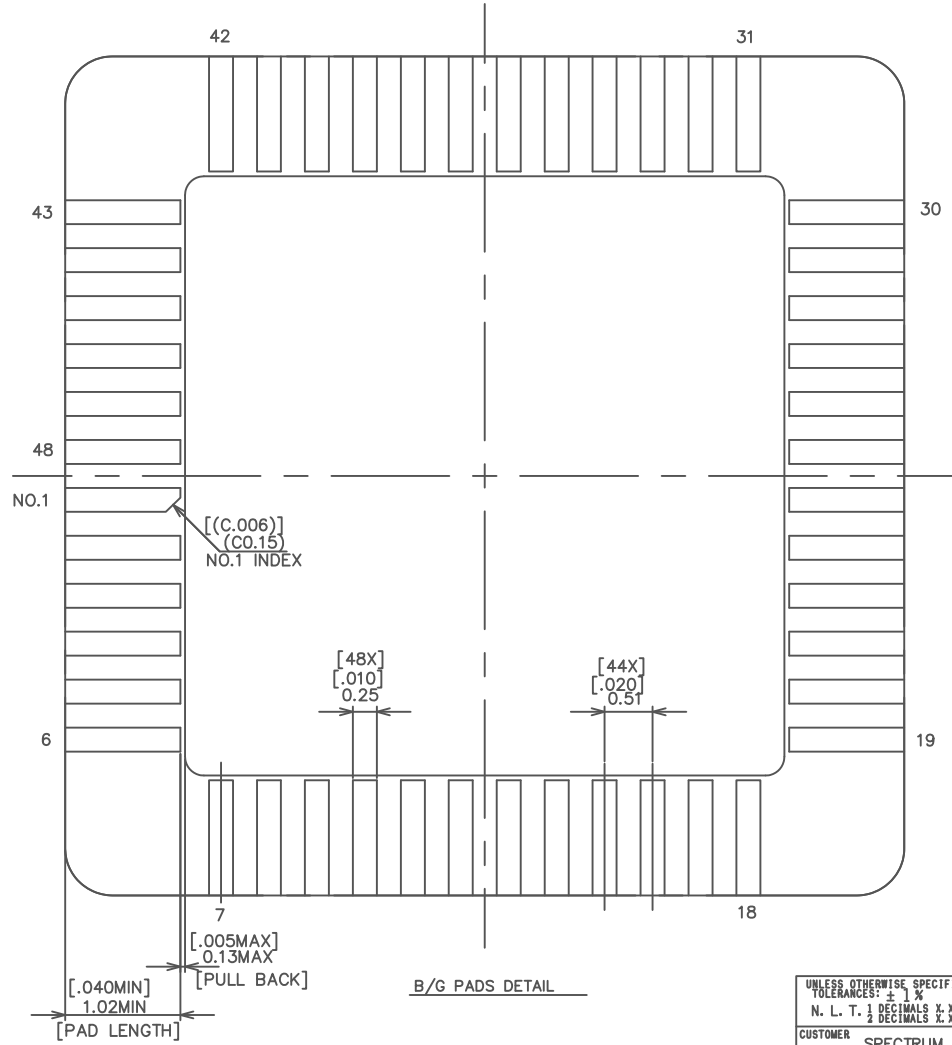


SSM P/N: CSB04842

NTK

9	10	11
LATEST	REVISION'S	DESCRIPTION



MODIFIED DWG NO.	
1	2

UNLESS OTHERWISE SPECIFIED
 TOLERANCES: ± 1%
 N. L. T. 1 DECIMALS X, X ± 0.25
 2 DECIMALS X, XX ± 0.13

DRAWN
C. MATSUURA
 CHECKED
S. NISHIMURA
 APPROVED
S. NISHIMURA
 UNIT MM [INCH]
 SCALE /

NTK
 NGK SPARK PLUG CO., LTD.
 TITLE
 B/G PADS DETAIL
 DWG NO.
 IDK48F1-6909BAL

Rev.	Description	Date
	NEW DRAWING	APR-15-2009

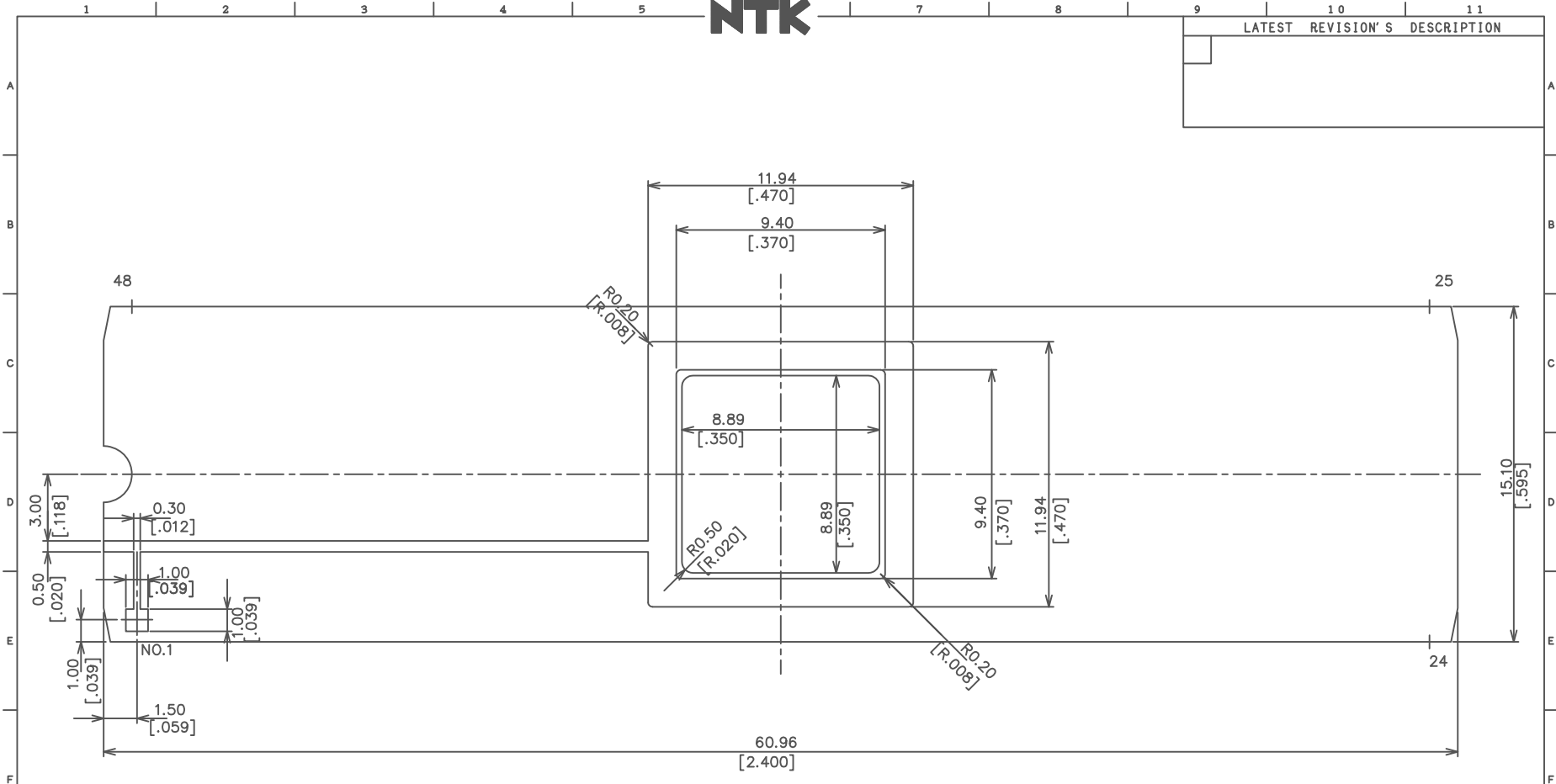
PART NO. SHEET 2 OF 2



SSM P/N: CSB04842

NTK

REV.	DATE	DESCRIPTION



MODIFIED
DWG NO. 1

DESCRIPTION	DRAWN	CHECKED	APPROVED	TITLE
FILE NAME	C.MATSUURA	S.NISHIMURA	S.NISHIMURA	S/R PATTERN
CUSTOMER	SPECTRUM			
DWG NO.				
	UNIT	MM [INCH]	DWG NO.	
	SCALE	/		

NEW DRAWING APR-15-2009
Rev. Description Date

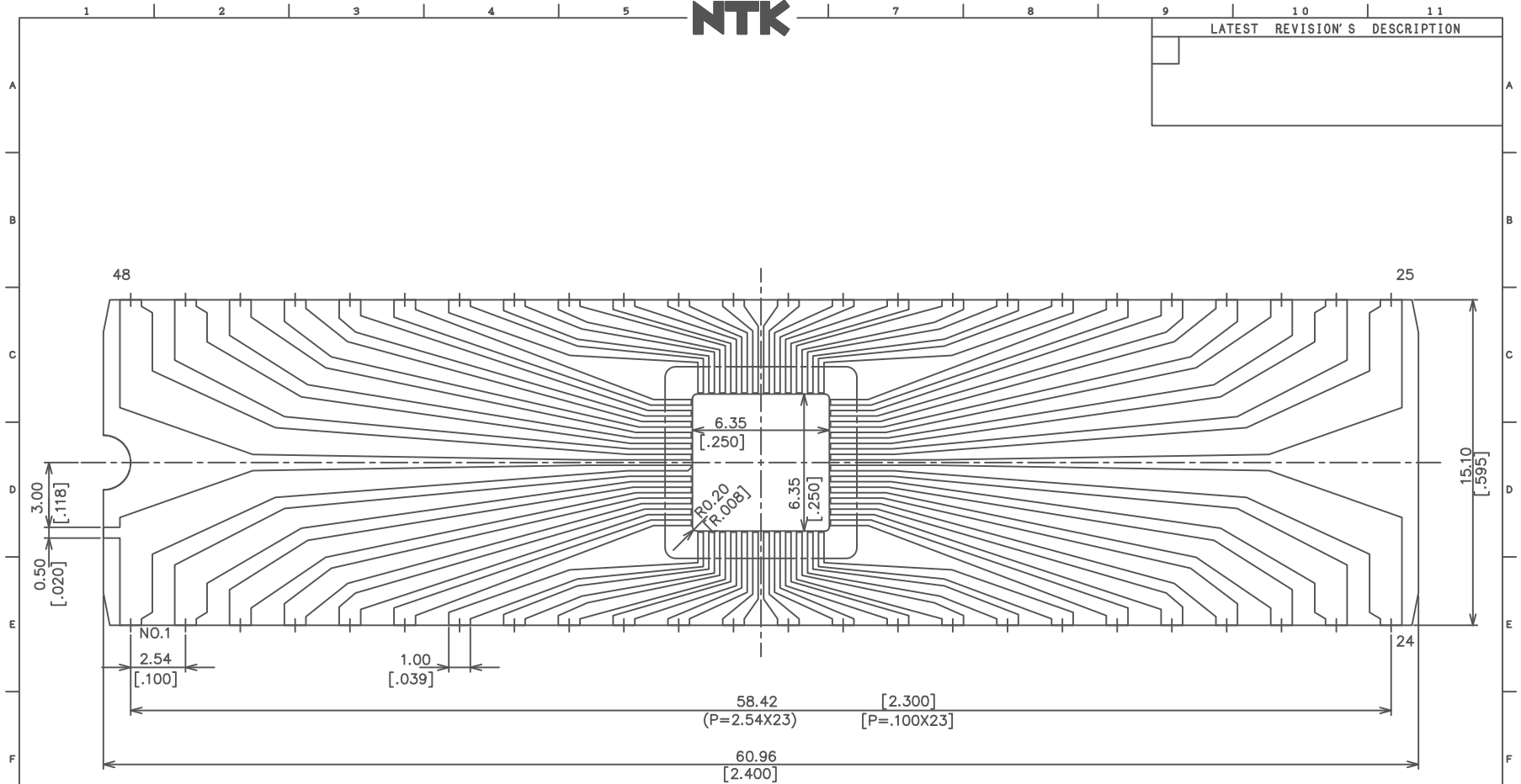
PART NO. SHEET OF



SSM P/N: CSB04842

NTK

LATEST REVISION'S DESCRIPTION



MODIFIED DWG NO.

DESCRIPTION	DRAWN	NEW DRAWING	APR-15-2009
FILE NAME	CHECKED	Rev.	Description
CUSTOMER	APPROVED	Date	
DWG NO.	UNIT	TITLE	
	SCALE	B/G PATTERN	
		DWG NO.	
		P-IDK-6909A-2	

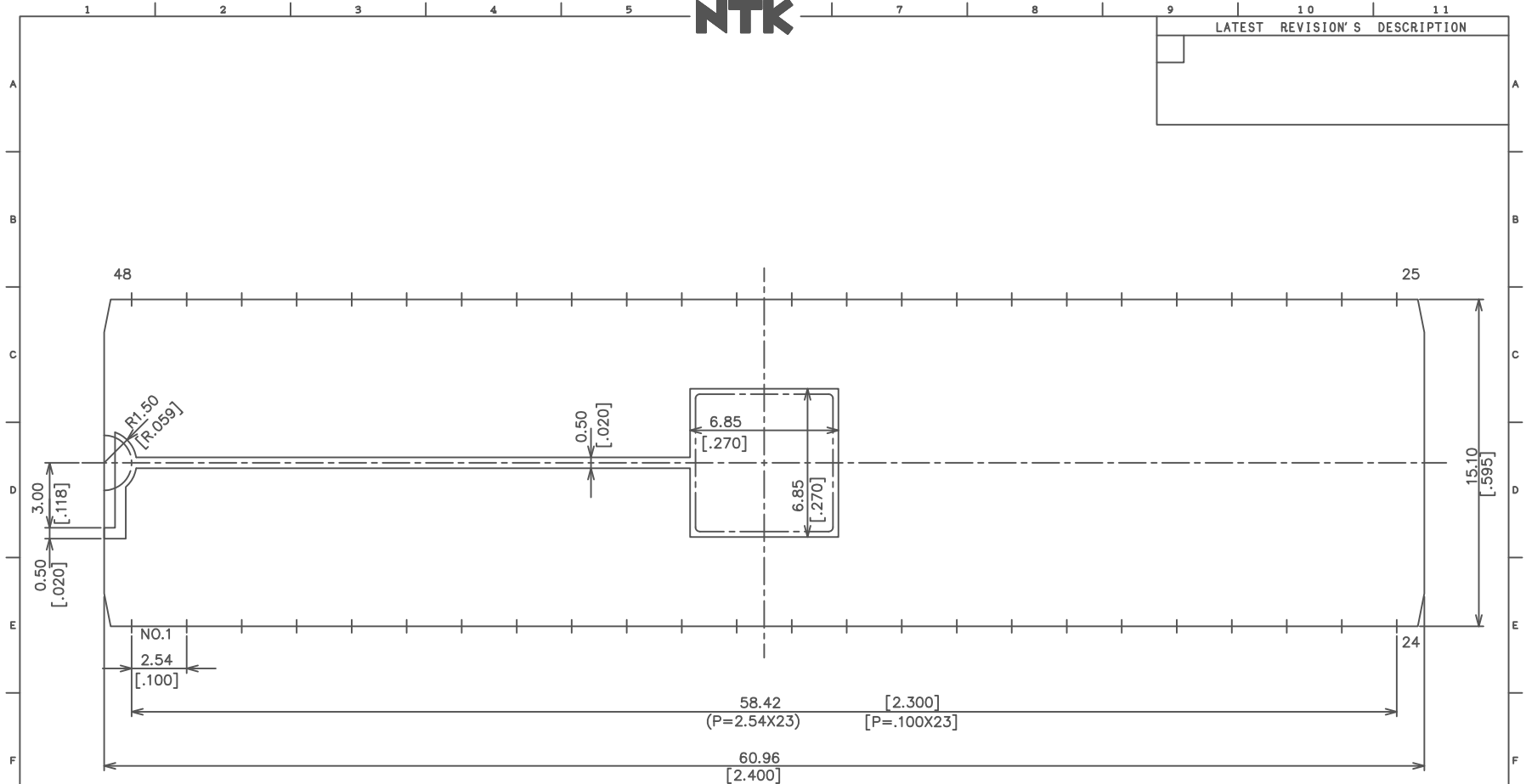
PART NO. SHEET OF



SSM P/N: CSB04842

NTK

REV.	DATE	DESCRIPTION



DESCRIPTION	DRAWN	TITLE
FILE NAME	C.MATSUURA	NTK
CUSTOMER	S.NISHIMURA	NGK SPARK PLUG CO., LTD.
DWG NO.	S.NISHIMURA	D/A PATTERN
	UNIT MM (INCH)	DWG NO.
	SCALE /	P-IDK-6909A-1

MODIFIED
DWG NO.

PART NO. SHEET OF

