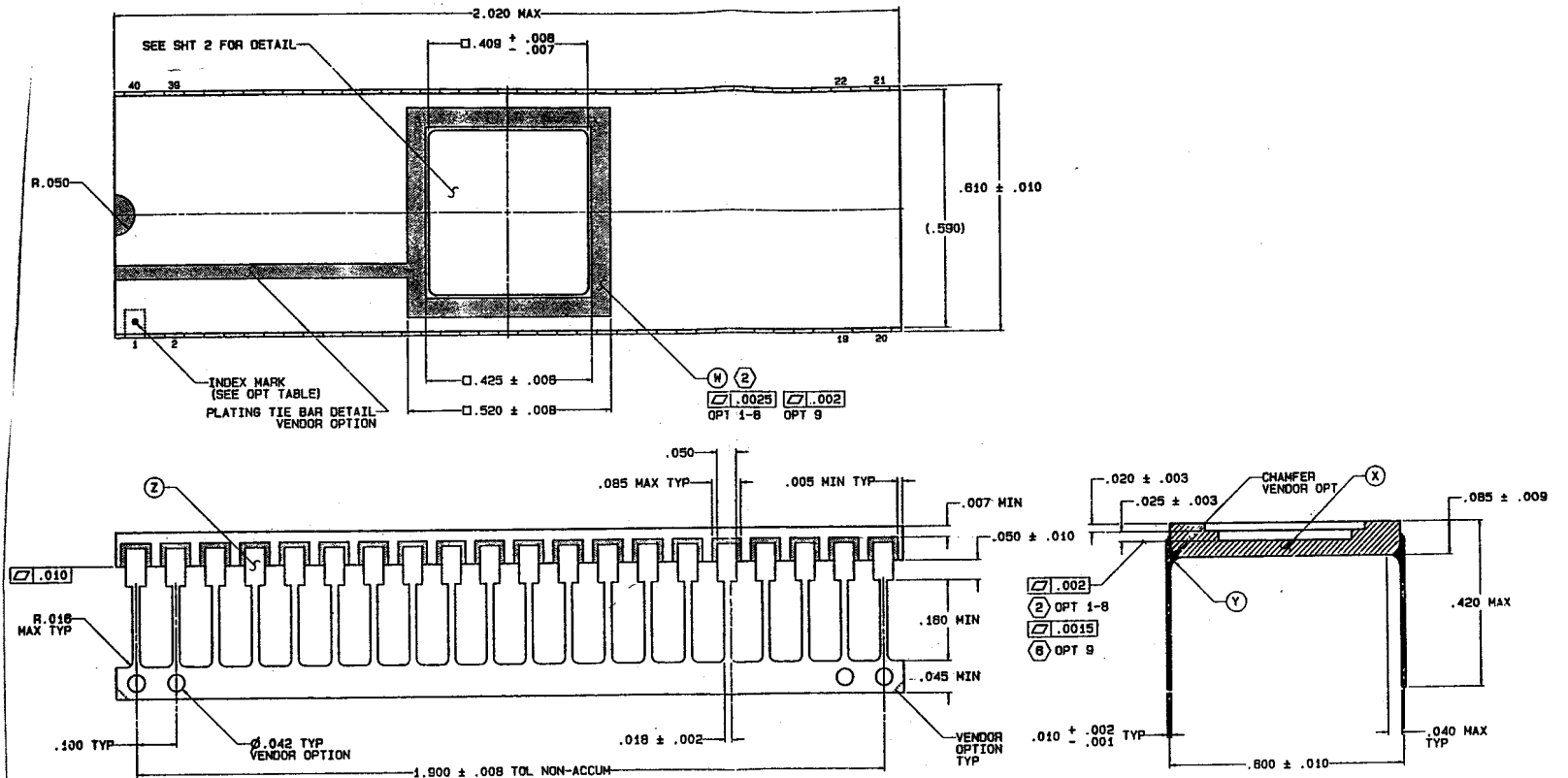


SSM P/N CSB04042



08	001687	◆ ■ □ ○	#11	FULL	B
08	083463	◆ ■ □ ○	#1	SELECTIVE	A
02	083253	◆ ■ □ ○	A.L.O.	SELECTIVE	C
01	063185	◆ ■ □ ○	A.L.O.	FULL	C
OPTION	STOCK #	INDEX MARK	GROUND LEAD	PLATING	DETAIL

Z	LEADS: KOVAR OR ALLOY 42
Y	BRAZE: Ag-Cu ALLOY
X	CERAMIC: 90-93% BLACK ALUMINA
W	GOLD METALLIZATION
ITEM	DESCRIPTION
	MATERIALS

QUALITY ASSURANCE PROVISIONS
 Implementations shall be in accordance with the IATF 16949:2016 standard and as specified herein.
 The processing activity remains the responsibility of the customer. In accordance with this specification and the relevant standards, the customer shall verify the quality of the product.

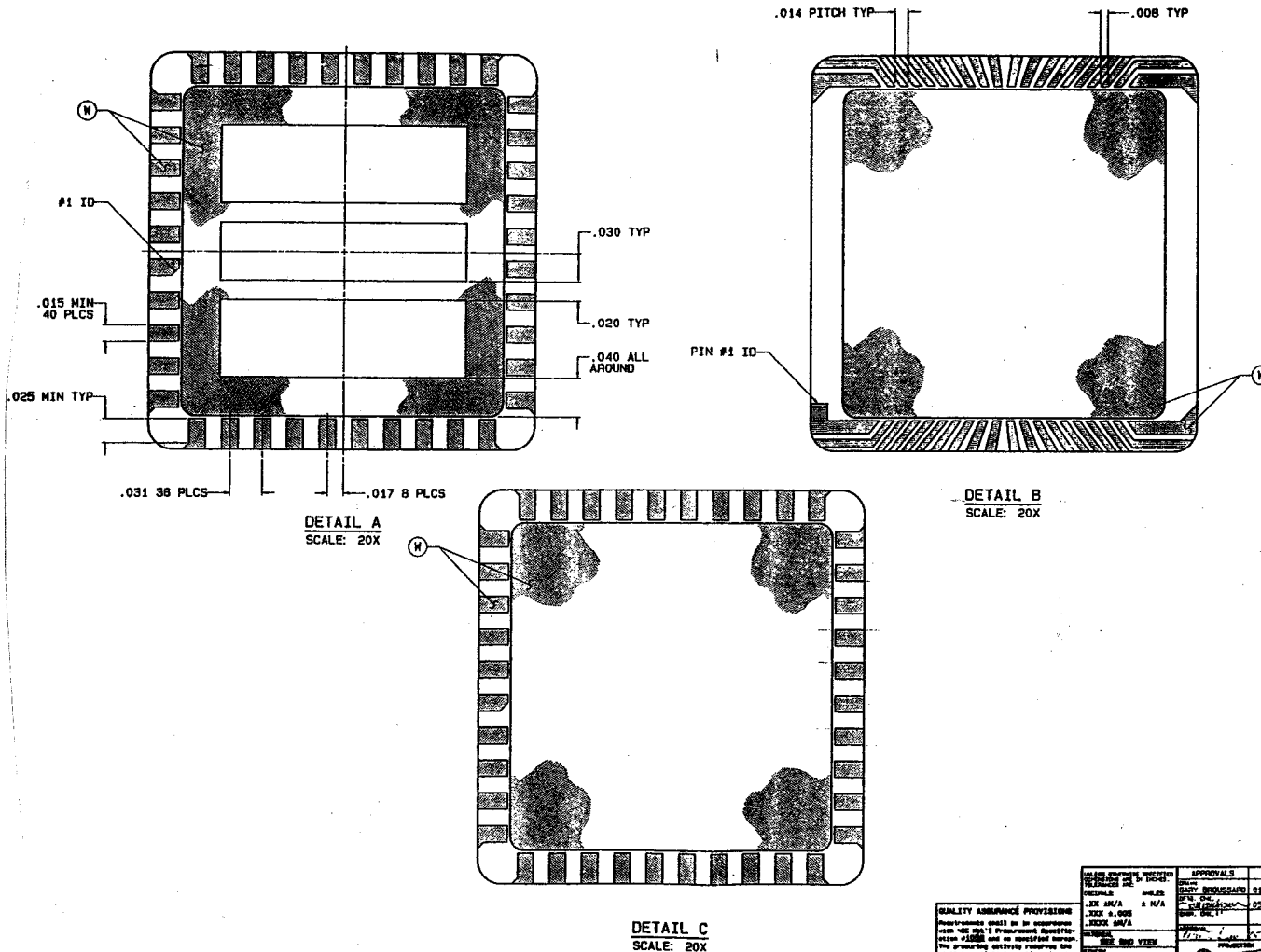
APPROVALS
 DATE: 01/18/20
 DATE: 05/14/21

POWER: 1.000X 5V
 SCALE: 8:1 D

DIP, SIDEBRAZE, .340 SQ, 40 LEAD



SSM P/N CSB04042



<p>QUALITY ASSURANCE PROVISIONS</p> <p>Requirements shall be in accordance with MIL-STD-883C and as specified on the drawing unless otherwise noted. The purchaser accepts responsibility for any failure to perform inspection to the requirements with this specification and for future shipments that fail.</p> <p>DO NOT SCALE DRAWING</p>	<p>APPROVALS</p> <p>DESIGNER: [Signature]</p> <p>DATE: 01/18/95</p> <p>DESIGNED BY: [Signature]</p> <p>DATE: 05/04/92</p> <p>PROJECT: [Signature]</p> <p>DATE: 05/11/92</p>	<p>DATE: 01/18/95</p> <p>BY: [Signature]</p> <p>DATE: 05/04/92</p> <p>DATE: 05/11/92</p>	<p>DIP, SIDEBRAZE, .340 SQ, 40 LEAD</p> <p>SCALE: B: 1 0 31-0051 M</p> <p>FORM: N/A</p> <p>SHEET 2 OF 2</p>
---	---	--	---

