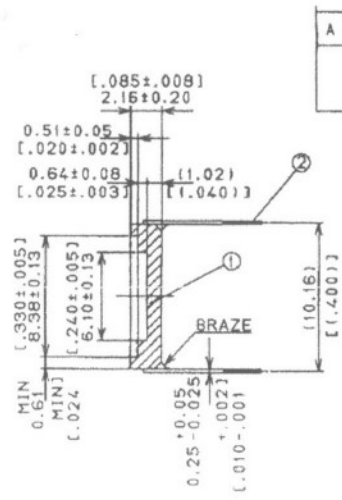
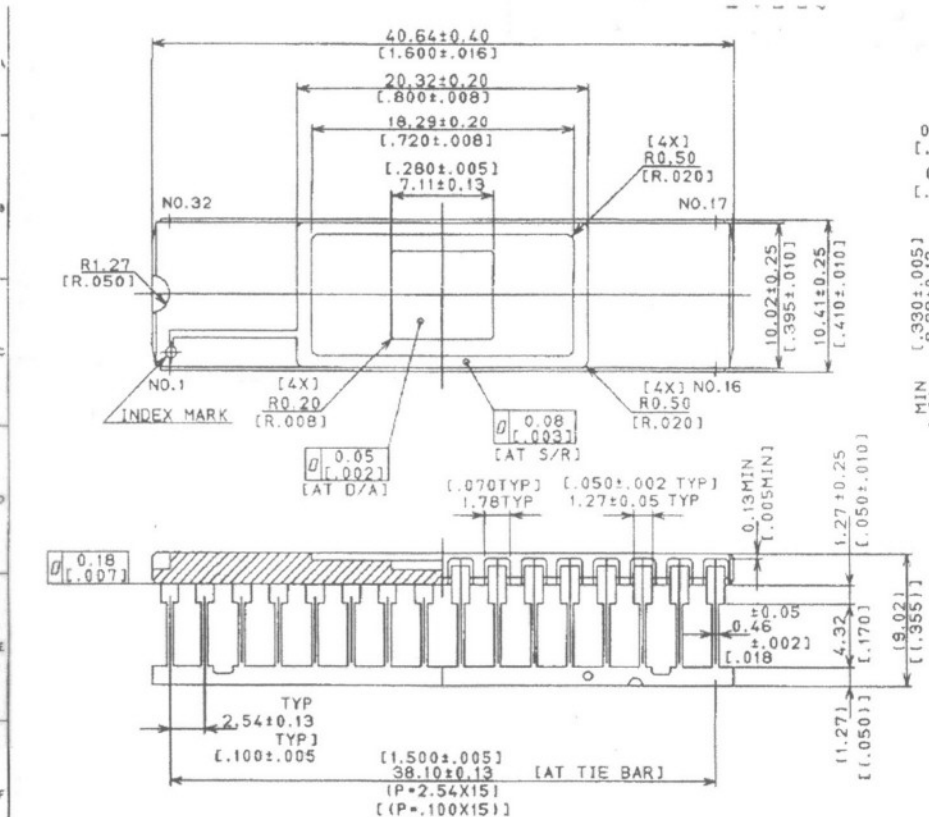


# SSM P/N CSB03234



A CHG. GOLD PLATE THK.

- NOTES:
- GOLD PLATE 1100~225μ INCHES)  
1. GOLD PLATE 2.54~5.72μm OVER  
1.27~8.89μm NICKEL.  
[50~350μ INCHES]
  - PIN 16 AND SEAL RING TO BE ELECTRICALLY CONNECTED TO THE DIE ATTACH PAD.
  - NTK SPEC YS-1002 SHALL APPLY.

**MODIFIABLE**

3					
2	LEAD	ALLOY42		A	RE DRAWING
1	CERAMIC	BLACK ALUMINA		φ	NEW DRAWING
Rev.	Material	Description	Rev.	Description	Date
UNLESS OTHERWISE SPECIFIED	FINISH	T. OKUMURA	NTK		
TOLERANCES: ± 1% N	CHECKER	N. NAKAYAMA	NGK SPARK PLUG CO., LTD.		
N. L. T. 1 ORIGINAL & 48 95	APPROVER	T. NAKAYAMA	TITLE		
1 ORIGINAL & 48 95	CUSTOMER		32 LEAD S/B PKG		
DWG NO.	UNIT	MM (INCH)	DWG NO.		
	SCALE		IDK32F1-6912A		

MODIFIED DWG NO.

PART NO. SHEET 1 OF 2



