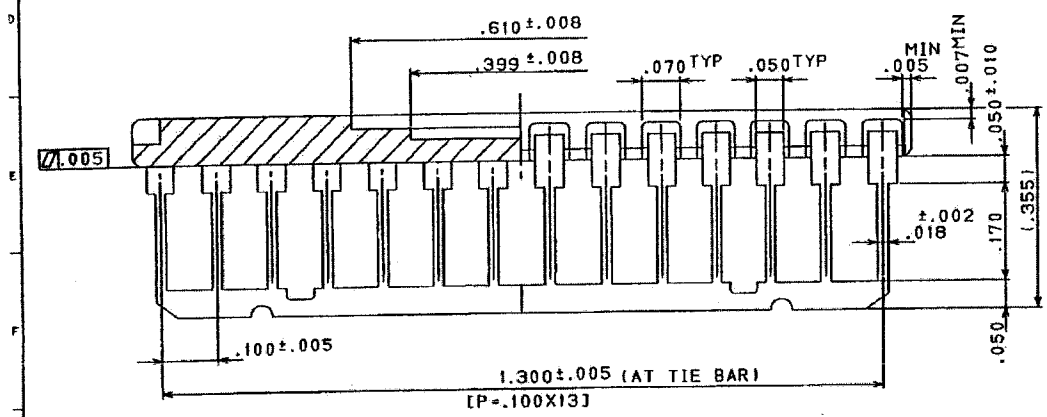
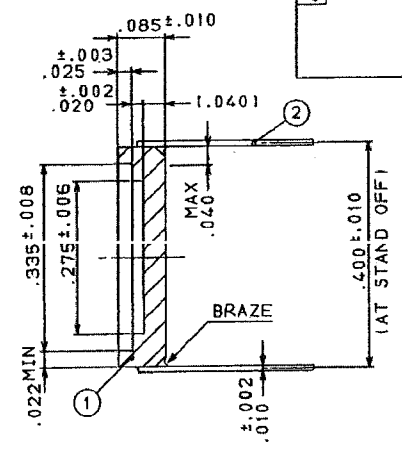
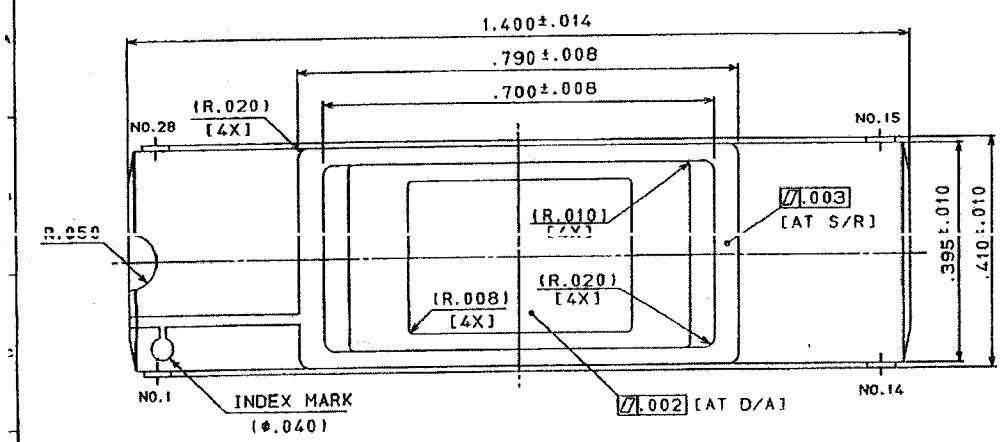


# SSM P/N CSB02810

NTK

LATEST REVISION'S DESCRIPTION	
A	NOTE 2. No 14 was No. 28



- NOTES:
1. GOLD PLATE 100 μ INCHES MIN OVER 80 μ INCHES MIN NICKEL.
  2. NO. 28 LEAD TO BE ELECTRICALLY CONNECTED TO THE DIE ATTACH PAD. SEAL RING ISOLATED.
  3. DB PADS TO BE ELECTRICALLY CONNECTED TO THE DIE ATTACH PAD.
  4. LEAD RESISTANCE : 350 mΩ MAX



OPEN TOOLED

MODIFIED Dwg NO. IDK28F1-6734A

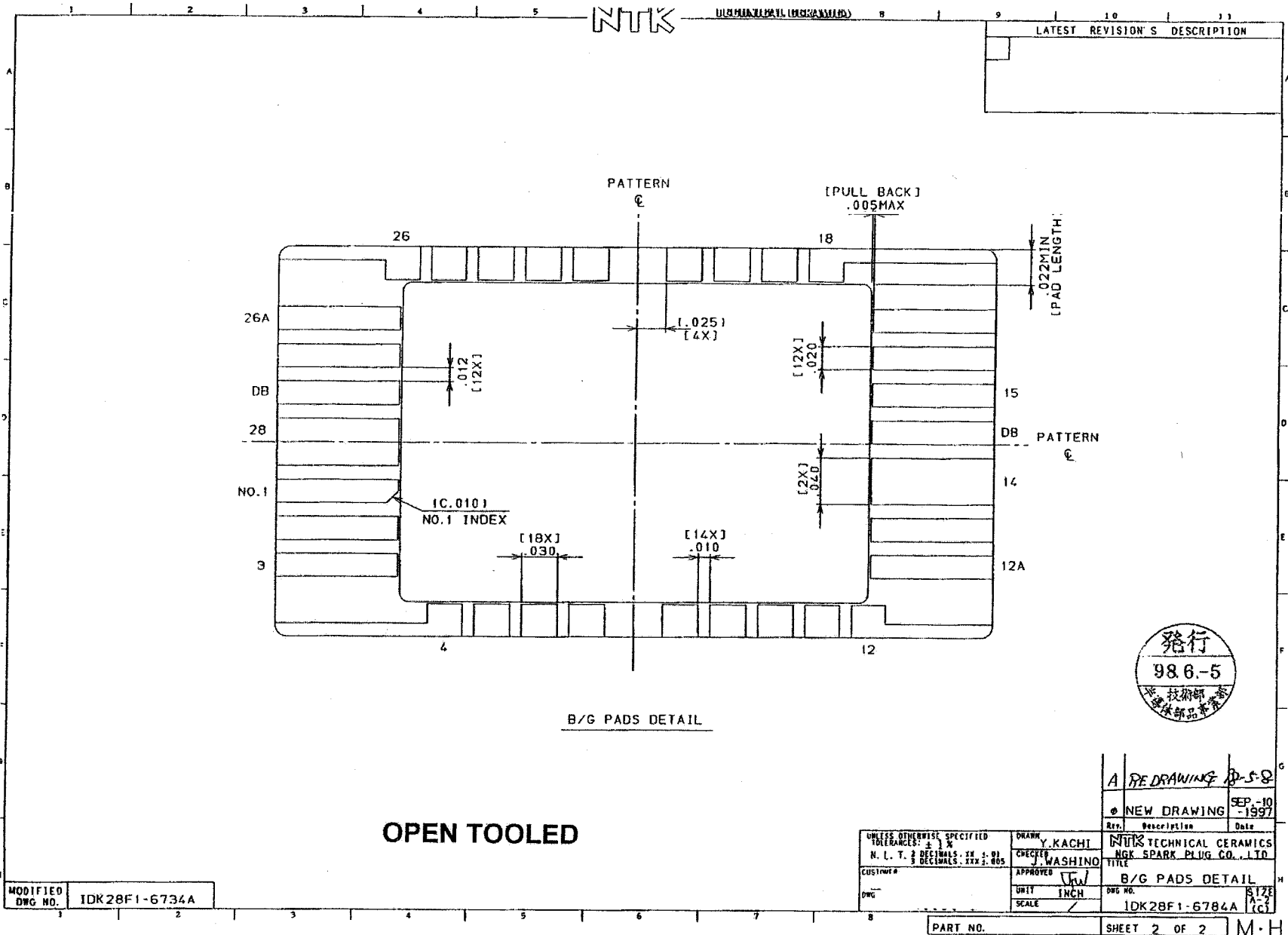
3	LEAD	ALLOY 42		A	RE DRAWING	10-5-8
2	CERAMIC	BLACK ALUMINA		φ	NEW DRAWING	SEP-10-1987
1						
Item	W a s e	Material	Description	Rev.	Description	Date
UNLESS OTHERWISE SPECIFIED TOLERANCES: ± 1% N. L. T. DECIMALS: XX ± .05 DECIMALS: XXX ± .005						
CHECKER	Y. KACHI		NTK TECHNICAL CERAMICS			
CHECKER	J. WASHINO		NGK SPARK PLUG CO., LTD			
APPROVED			TITLE			
CUSTOMER			28 LEAD S/B PACKAGE			
DWG			UNIT	INCH	DWG NO.	IDK28F1-6734A
			SCALE			

PART NO. SHEET 1 OF 2 M-H



www.spectrum-semi.com Phone: 408-435-5555 Fax: 408-435-8226

# SSM P/N CSB02810



**OPEN TOOLED**

MODIFIED DWG NO. 1DK28F1-6734A

UNLESS OTHERWISE SPECIFIED TOLERANCES: ± 1%	DRAWN Y. KACHI	NTK TECHNICAL CERAMICS
N. L. T. 3 DECIMALS. IN S. 91	CHECKED J. WASHINO	NGK SPARK PLUG CO., LTD.
CUSTOMER	APPROVED [Signature]	TITLE B/G PADS DETAIL
DWG	UNIT INCH	DWG NO. 1DK28F1-6784A
SCALE		SIZE 8.5x11 (1:1)

A	RE DRAWING	8-5-8
	NEW DRAWING	SEP-10-1997
Rev.	Description	Date

PART NO. SHEET 2 OF 2 M·H

