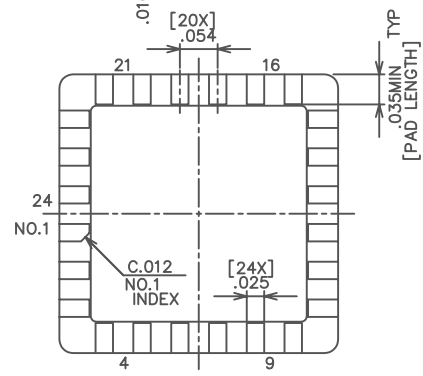
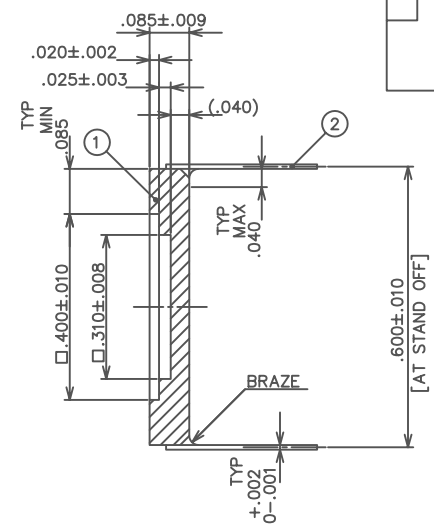
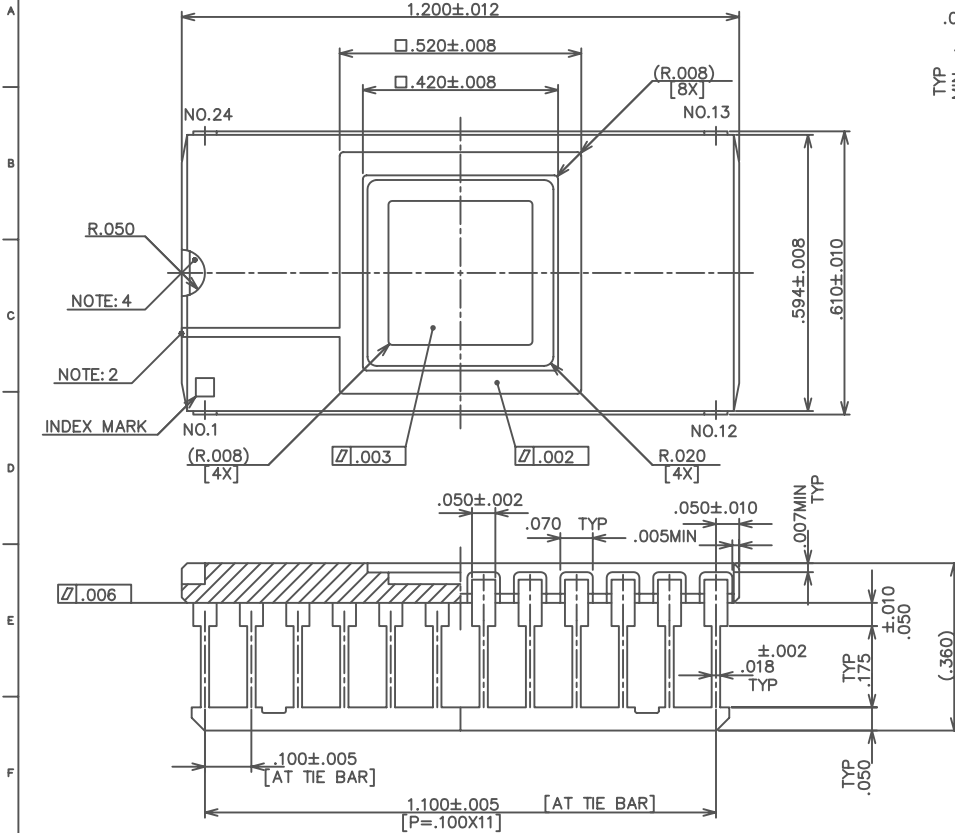


SSM P/N CSB02482

NTK

LATEST REVISION'S DESCRIPTION



- NOTES; 1. GOLD PLATE 60? INCHES MIN OVER 80? INCHES MIN NICKEL.
 2. PLATING TIE BAR TO BE BROKEN AFTER PACKAGE PLATING AT CERAMIC END.
 3. NO LEAD ELECTRICALLY CONNECTED TO THE DIE ATTACH PAD. SEAL RING ISOLATED.
 4. THIS METALLIZATION TO BE ELECTRICALLY CONNECTED TO THE DIE ATTACH PAD.

Item	Name	Material	Description	Rev.	Description	Date
3	LEAD	ALLOY42				
2	CERAMIC	BLACK ALUMINA				
1					NEW DRAWING	OCT.-29-2003
UNLESS OTHERWISE SPECIFIED			DRAWN	M.MIZUNO	NTK	
TOLERANCES: ± 1 %			CHECKED	T.NOMURA	NGK SPARK PLUG CO., LTD.	
N. L. T. 2 DECIMALS .XX ±0.25					TITLE	
3 DECIMALS .XXX ±0.13					24 LEAD S/B PKG	
CUSTOMER			APPROVED	T.NOMURA	DWG NO.	
SPECTRUM					IDK24F1-167MAL	
DWG NO.					SCALE	

MODIFIED DWG NO.

PART NO. SHEET 1 OF 1



