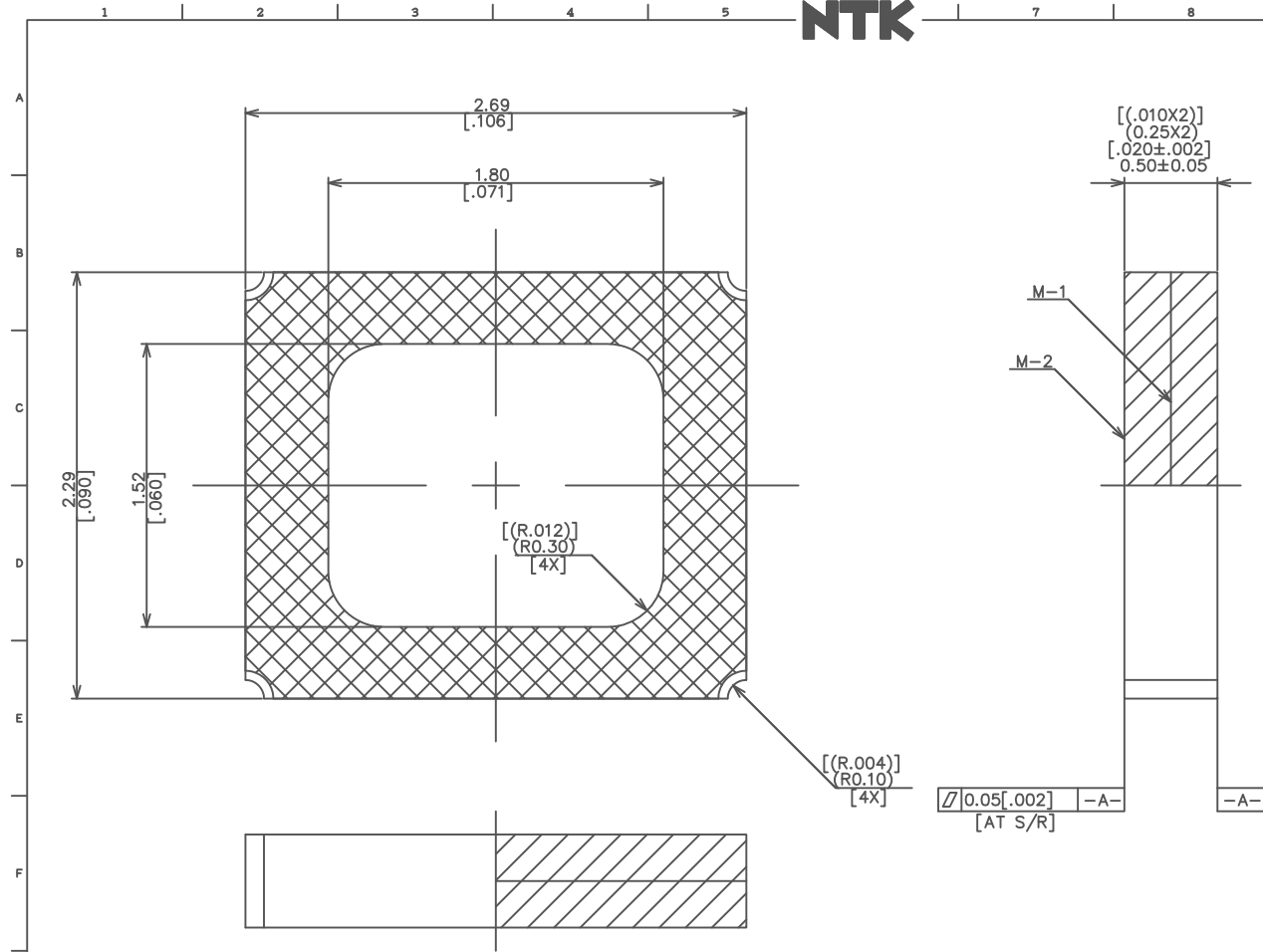


NTK

LATEST REVISION'S DESCRIPTION	
A	ADD NOTES TO M-1 & M-2 PATTERN DRAWINGS. MODIFY PLATING NOTE #1.



- NOTES:
1. GOLD PLATE 1.0~2.5m[40~100? INCHES] OVER 2.0?m[80? INCHES] MIN NICKEL OVER W METALLIZATION.
  2. UNLESS OTHERWISE SPECIFIED TOLERANCES:  $\pm 0.13[\pm .005]$
  3. NTK SPEC YS-1021 SHALL APPLY.

MODIFIED DWG NO. \_\_\_\_\_

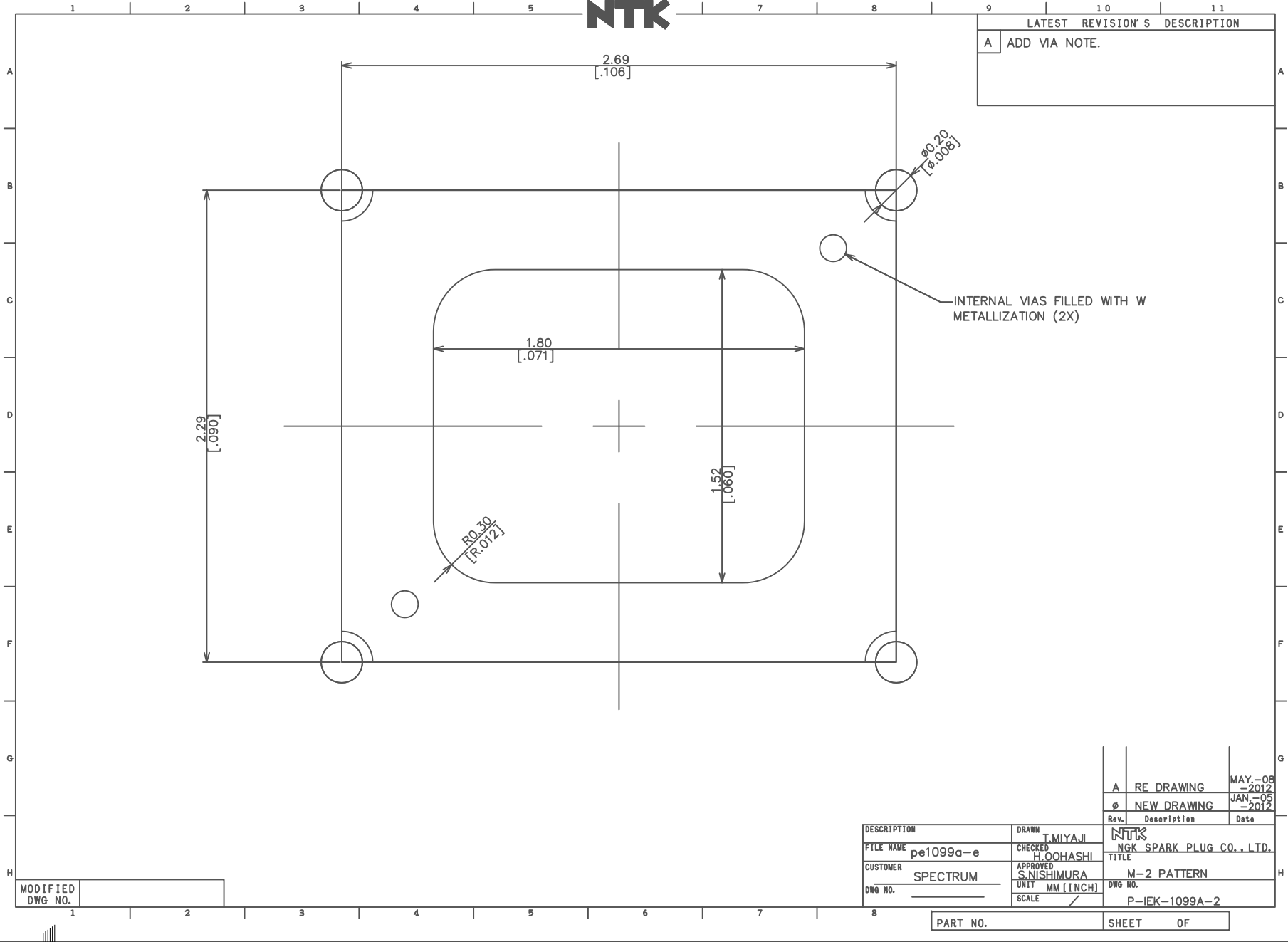
Item	Name	Material	Description	Rev.	Description	Date
3						
2				A	RE DRAWING	MAY.-08-2012
1	CERAMIC	BA-916		0	NEW DRAWING	JAN.-05-2012
UNLESS OTHERWISE SPECIFIED TOLERANCES: $\pm 1\%$			DRAWN	NTK		
N. L. T. <del>FORMS # 1-1-18</del>			CHECKED	NTK		
			H. OOHASHI	NGK SPARK PLUG CO., LTD.		
CUSTOMER			APPROVED	TITLE		
SPECTRUM			S. NISHIMURA	CERAMIC LID		
DWG NO. _____			UNIT	DWG NO.		
			MM [INCH]	IEK00F1-1099A		
			SCALE			

PART NO. \_\_\_\_\_ SHEET 1 OF 1



NTK

LATEST REVISION'S DESCRIPTION	
A	ADD VIA NOTE.



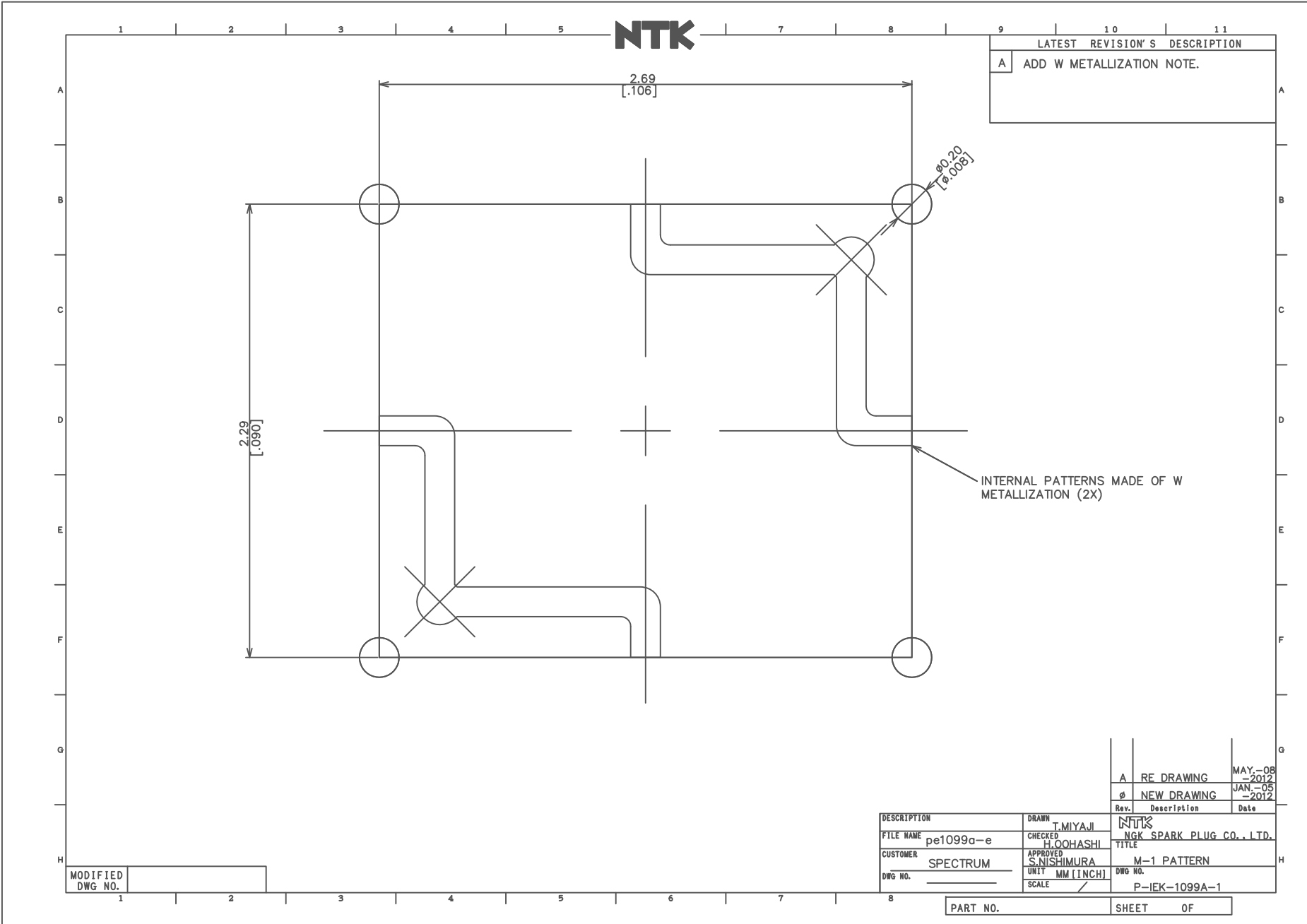
Rev.	Description	Date
A	RE DRAWING	MAY-08-2012
Ø	NEW DRAWING	JAN-06-2012

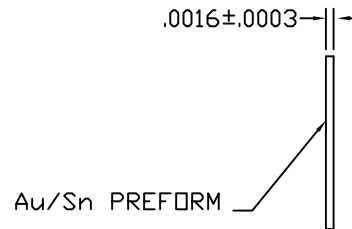
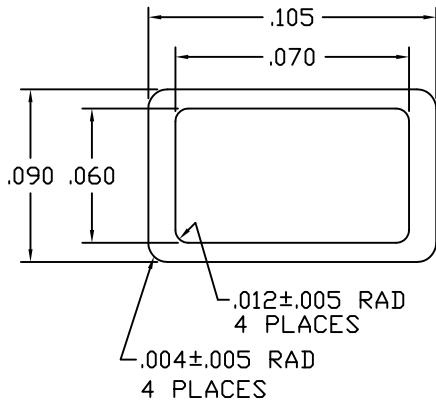
DESCRIPTION	DRAWN	T.MIYAJI	NTK
FILE NAME	CHECKED	H.OOHASHI	NGK SPARK PLUG CO.,LTD.
CUSTOMER	APPROVED	S.NISHIMURA	TITLE
DWG NO.	UNIT	MM [INCH]	M-2 PATTERN
	SCALE	/	DWG NO.
			P-IEK-1099A-2

MODIFIED DWG NO.
1

PART NO. SHEET OF







www.spectrum-semi.com Phone: 408.435.5555 Fax: 408.435.8226

1. PREFORM - 80% ±1% Au  
20% Sn
2. FLATNESS : ONE MIL (.001) MAXIMUM PER 1/2" T.I.R
3. TOLERANCES TO BE (XXX) 3 PLACES ±.003 UNLESS OTHERWISE NOTED

DESCRIPTION	
SOLDER PREFORM - SEE NOTE 1	
Spectrum Semiconductor Materials, Inc. 2027 O'Toole Ave San Jose, CA 95131 PH: (408) 435-5555 Fx: (408)435-8226	

