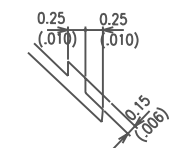
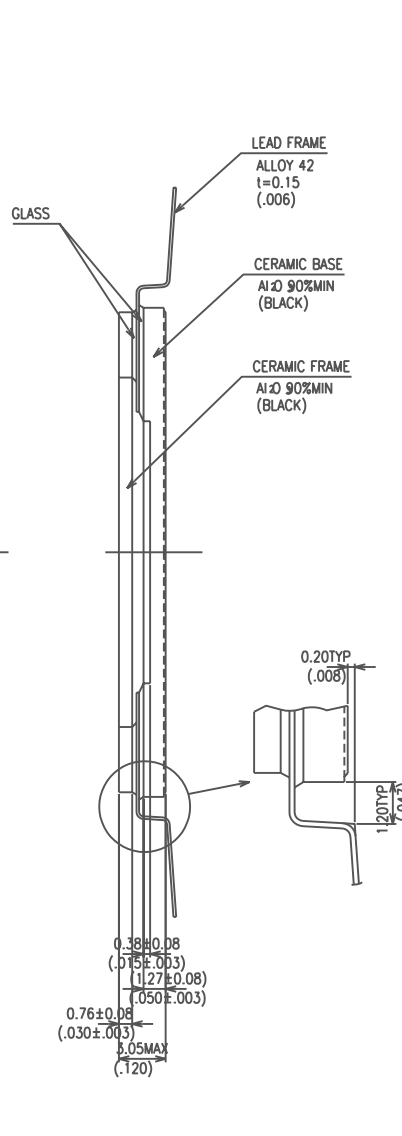
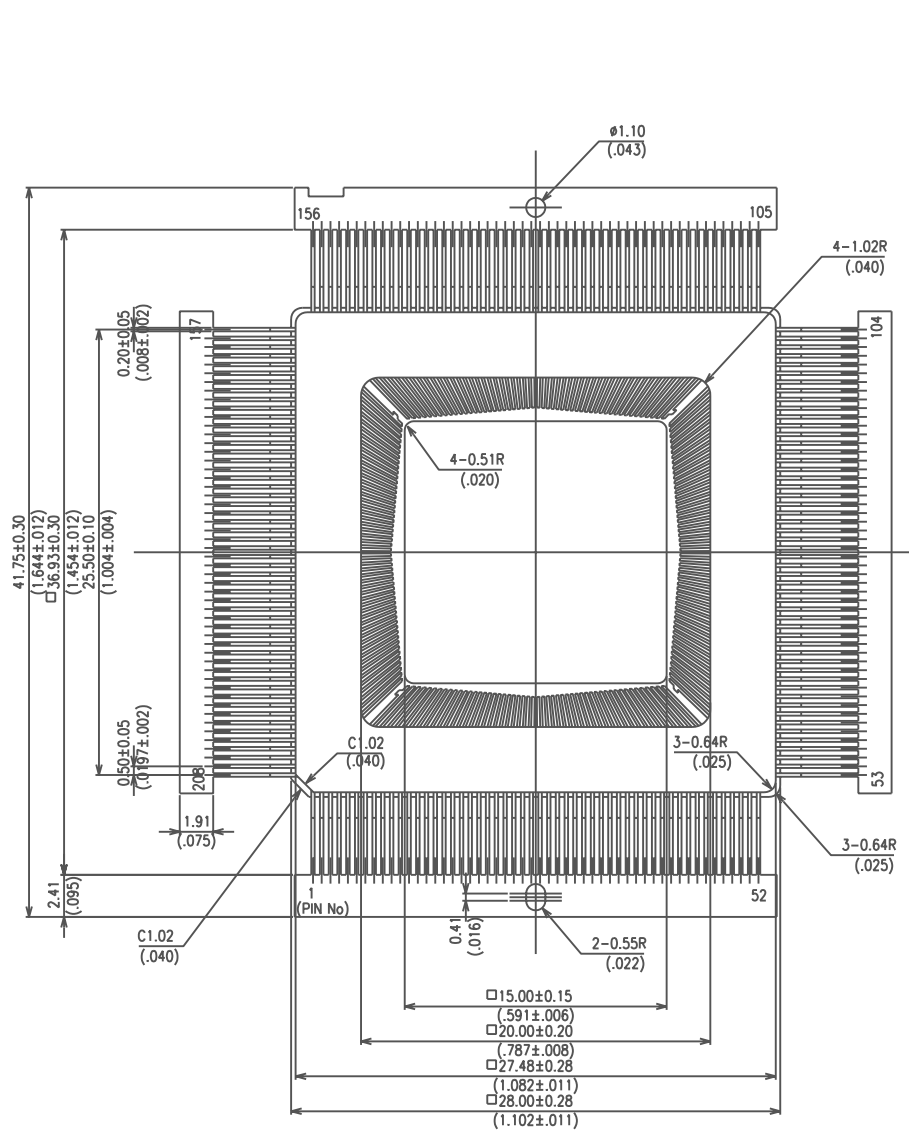
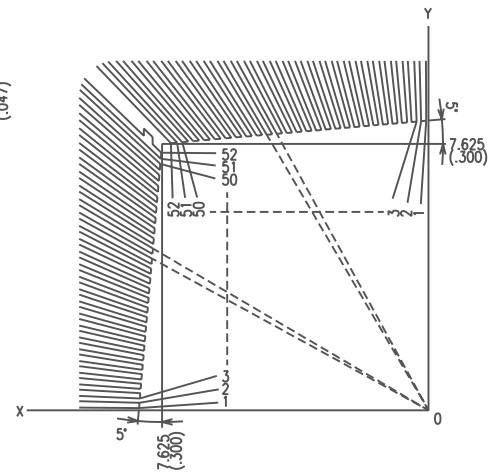


# SSM P/N CQZ20801



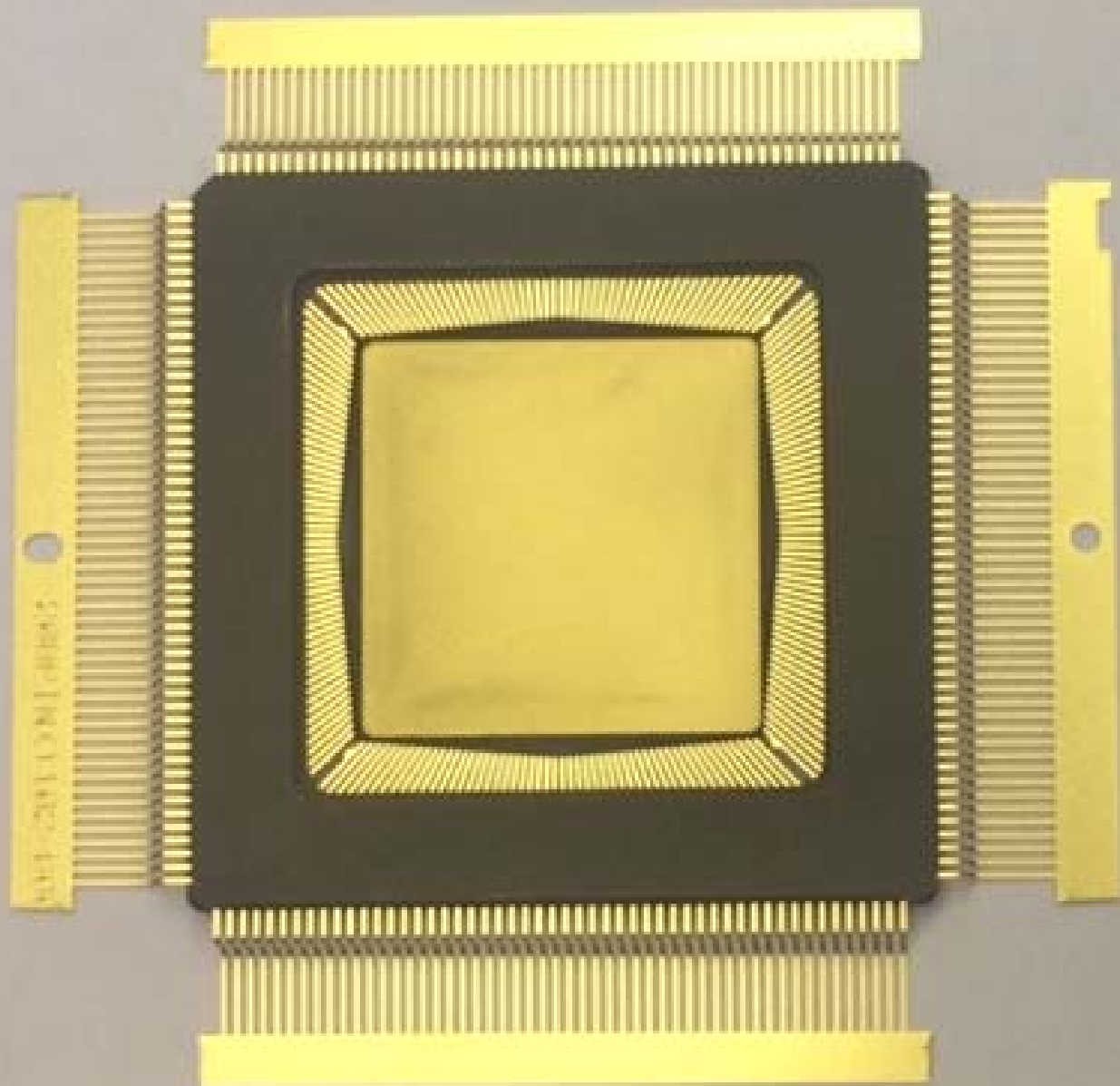
TARGET MARK  
No. 1,53,105,157PIN

No.	ANGLE	No.	ANGLE
1	0.436°	27	24.426°
2	1.480°	28	25.366°
3	2.343°	29	26.146°
4	3.385°	30	27.077°
5	4.245°	31	27.840°
6	5.282°	32	28.755°
7	6.145°	33	29.506°
8	7.183°	34	30.408°
9	8.032°	35	31.146°
10	9.068°	36	32.034°
11	9.916°	37	32.758°
12	10.941°	38	33.626°
13	11.793°	39	34.344°
14	12.812°	40	35.196°
15	13.645°	41	35.897°
16	14.655°	42	36.731°
17	15.489°	43	37.420°
18	16.496°	44	38.240°
19	17.321°	45	38.911°
20	18.309°	46	39.716°
21	19.124°	47	40.372°
22	20.104°	48	41.161°
23	20.915°	49	41.802°
24	21.886°	50	42.573°
25	22.683°	51	43.203°
26	23.636°	52	43.956°



MODIFICATIONS						NAME	TOLERANCES:	DRAWN	CHECKED
						208LD QUAD K-PACK'Z'(15.0SQ)	UNLESS OTHERWISE SPECIFIED		
						SCALE	MATERIAL	APPROVED	DATE
CHANGE					DATE	DRAWN	CHECKED	APPROVED	OCT.19'90
						5:1			
						KYOCERA CORPORATION	KYOTO JAPAN	DWG No.	QC-208319-WZ





0 inch

1

2

