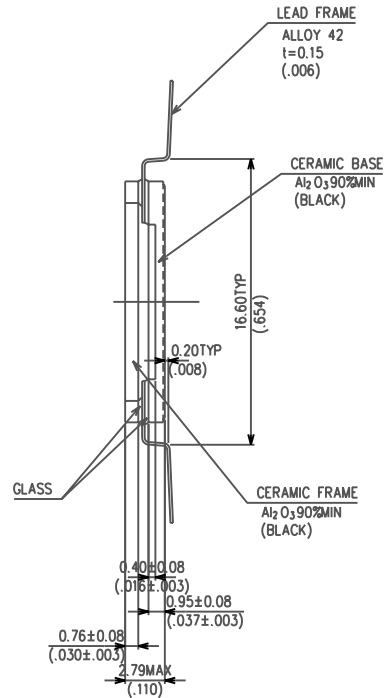
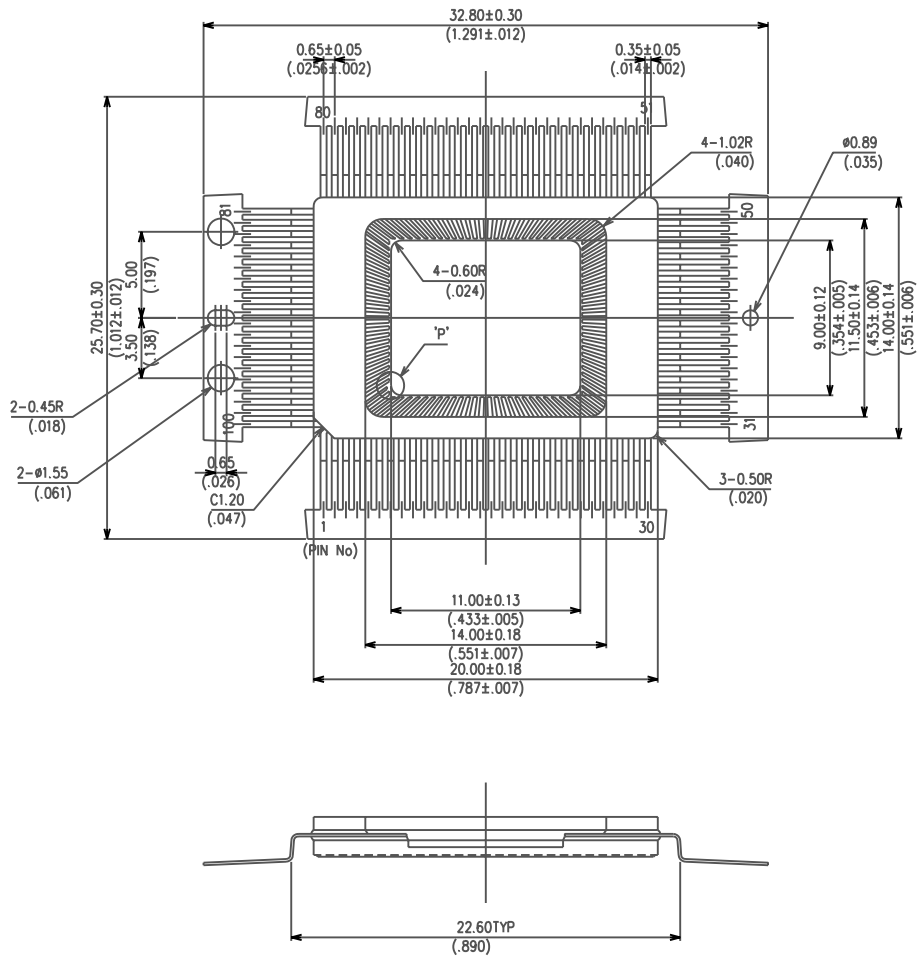
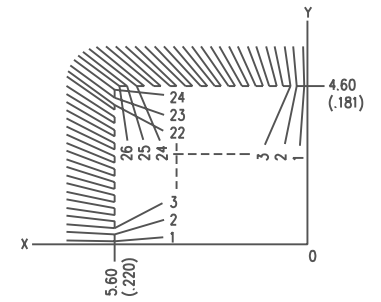
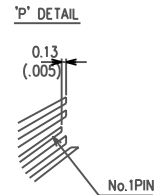


SSM P/N CQZ10007



	X		Y
1	0.09 (.004)	1	0.09 (.004)
2	0.31 (.012)	2	0.29 (.011)
3	0.49 (.019)	3	0.47 (.018)
4	0.71 (.028)	4	0.67 (.026)
5	0.89 (.035)	5	0.85 (.033)
6	1.11 (.044)	6	1.05 (.041)
7	1.29 (.051)	7	1.23 (.048)
8	1.50 (.059)	8	1.43 (.056)
9	1.70 (.067)	9	1.61 (.063)
10	1.90 (.075)	10	1.81 (.071)
11	2.10 (.083)	11	1.99 (.078)
12	2.29 (.090)	12	2.19 (.086)
13	2.51 (.098)	13	2.37 (.093)
14	2.69 (.106)	14	2.56 (.101)
15	2.91 (.115)	15	2.76 (.109)
16	3.10 (.122)	16	2.94 (.116)
17	3.34 (.131)	17	3.14 (.124)
18	3.54 (.140)	18	3.32 (.131)
19	3.80 (.150)	19	3.52 (.139)
20	3.99 (.157)	20	3.70 (.146)
21	4.26 (.168)	21	3.91 (.154)
22	4.46 (.176)	22	4.05 (.159)
23	4.74 (.187)	23	4.26 (.168)
24	4.96 (.195)	24	4.49 (.177)
25	5.24 (.206)		
26	5.46 (.215)		



No.1PIN INDEX

MODIFICATIONS	CHANGE	DATE	DRAWN	CHECKED	APPROVED	NAME	TOLERANCES:	DRAWN	CHECKED
						100LD QUAD K-PACK Z(9X11)D	UNLESS OTHERWISE SPECIFIED		
						SCALE	MATERIAL	APPROVED	DATE
						5 : 1			MAY.25'89
						KYOCERA CORPORATION		KYOTO JAPAN	
						DWG No.		QC-100346-WZ	

