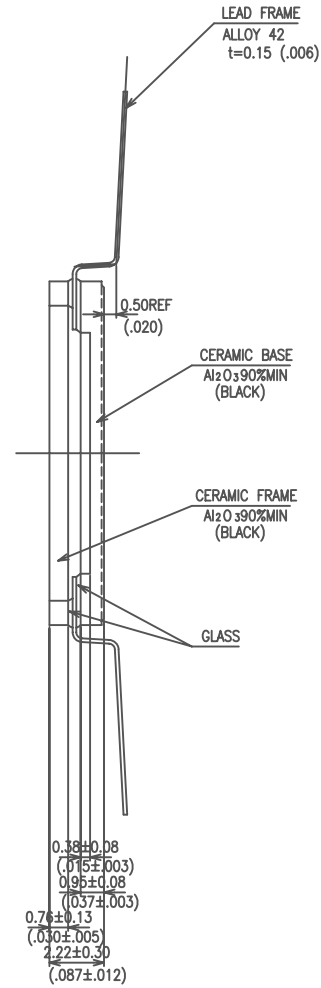
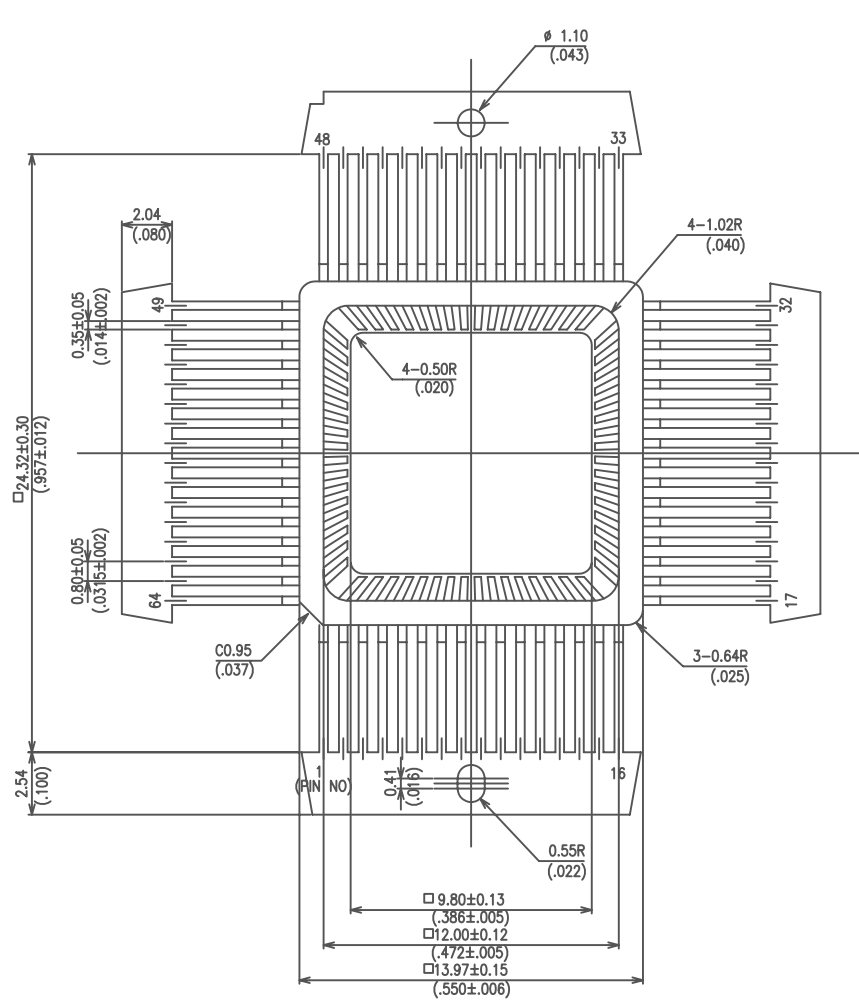
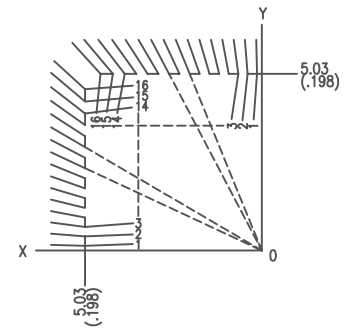


SSM P/N CQZ06408



| NO | ANGLE |
|----|--------|
| 1 | 1.53° |
| 2 | 4.58° |
| 3 | 7.60° |
| 4 | 10.60° |
| 5 | 13.57° |
| 6 | 16.50° |
| 7 | 19.38° |
| 8 | 22.21° |
| 9 | 24.99° |
| 10 | 27.69° |
| 11 | 30.33° |
| 12 | 32.89° |
| 13 | 35.38° |
| 14 | 37.79° |
| 15 | 40.13° |
| 16 | 42.38° |



| | | | | | | | | | |
|---------------|-----------------|-----------|--|--|------|-------------------------------------|---|-------------|------------------------|
| MODIFICATIONS | | | | | | NAME 64LD QUAD K-PACK 'Z'(9.8SQ) | TOLERANCES: UNLESS OTHERWISE SPECIFIED | DRAWN | CHECKED |
| | | | | | | SCALE | MATERIAL | APPROVED | DATE |
| | ALL NEW DRAWING | NOV.10'92 | | | | | | | NOV. 4 '92 |
| | C H A N G E | | | | DATE | DRAWN | CHECKED | APPROVED | |
| | | | | | | KYOCERA CORPORATION | | KYOTO JAPAN | DWG No. QC-064308-WZ Δ |

