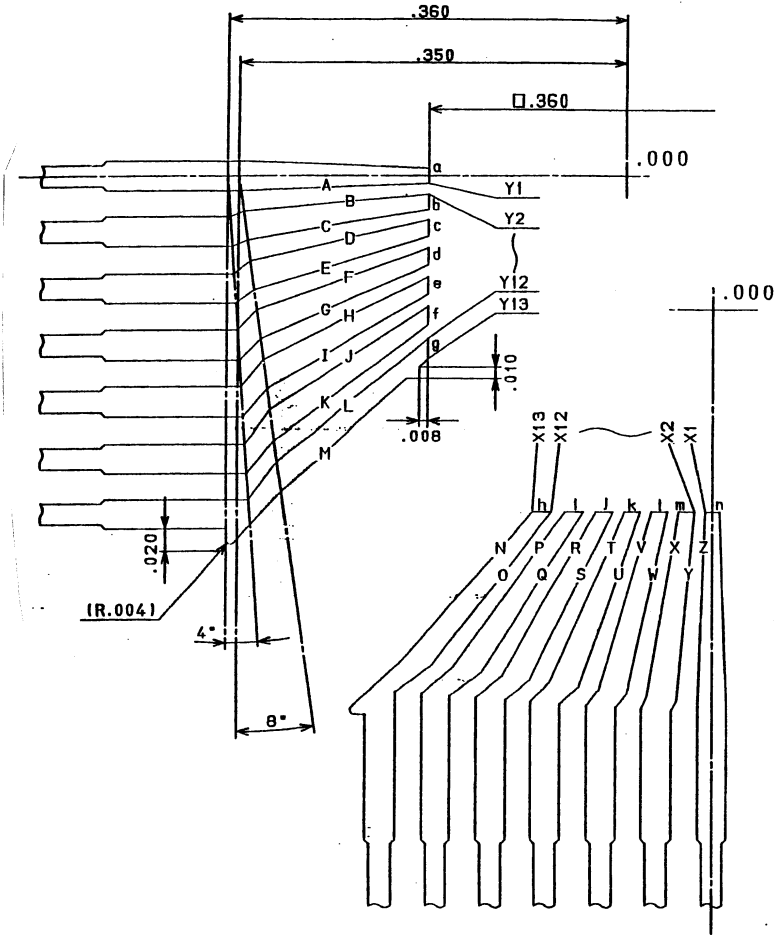


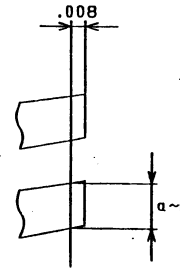
SSM P/N CQJ05204



INNER LEAD DETAIL

INNER LEAD WIDTH			
a	.0143	h	.0142
b	.0144	i	.0145
c	.0147	j	.0147
d	.0152	k	.0152
e	.0159	l	.0159
f	.0171	m	.0171
g	.0184	n	.0184

No.	ANGLE	No.	ANGLE
A	2.18°	N	47.99°
B	5.25°	O	51.24°
C	9.59°	P	53.63°
D	12.59°	Q	57.16°
E	16.79°	R	59.77°
F	19.69°	S	63.53°
G	23.70°	T	66.30°
H	26.47°	U	70.31°
I	30.23°	V	73.21°
J	32.84°	W	77.41°
K	36.37°	X	80.41°
L	38.76°	Y	84.75°
M	42.01°	Z	87.83°



THE TOLERANCE SHOULD BE ±.004 FOR EACH LEADS AT .008 PULL BACK FROM LEAD TIP.

No.	DIM.	No.	DIM.
Y 1	(.0069)	X 1	(.0068)
Y 2	(.0165)	X 2	(.0165)
Y 3	(.0304)	X 3	(.0304)
Y 4	(.0402)	X 4	(.0402)
Y 5	(.0543)	X 5	(.0543)
Y 6	(.0644)	X 6	(.0644)
Y 7	(.0790)	X 7	(.0790)
Y 8	(.0896)	X 8	(.0896)
Y 9	(.1048)	X 9	(.1048)
Y 10	(.1161)	X 10	(.1161)
Y 11	(.1325)	X 11	(.1325)
Y 12	(.1445)	X 12	(.1445)
Y 13	(.1621)	X 13	(.1621)

Rev.	Description	Date
1	NEW DRAWING	FEB-21-1996

DESIGNED BY: N. L. T. J.	CHECKED BY: Y. KACHI	TITLE: INNER LEAD DETAIL
DRAWN BY: N. L. T. J.	APPROVED BY: N. L. T. J.	DATE: FEB-21-1996