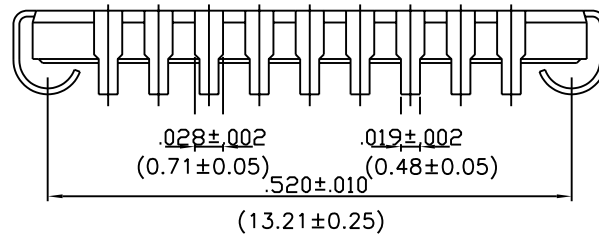
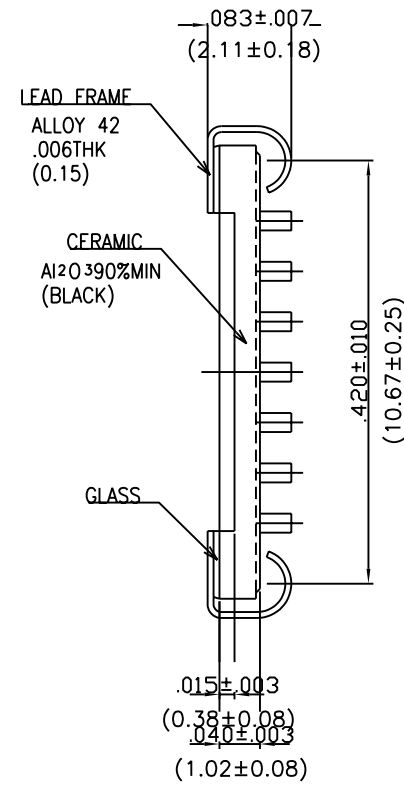
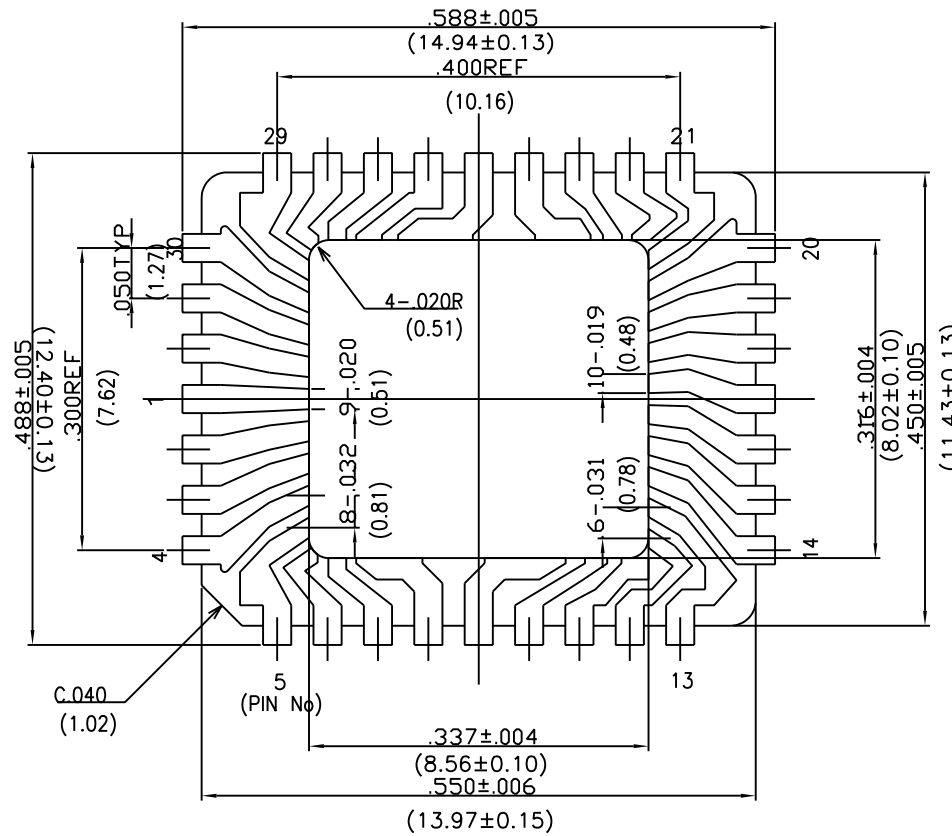


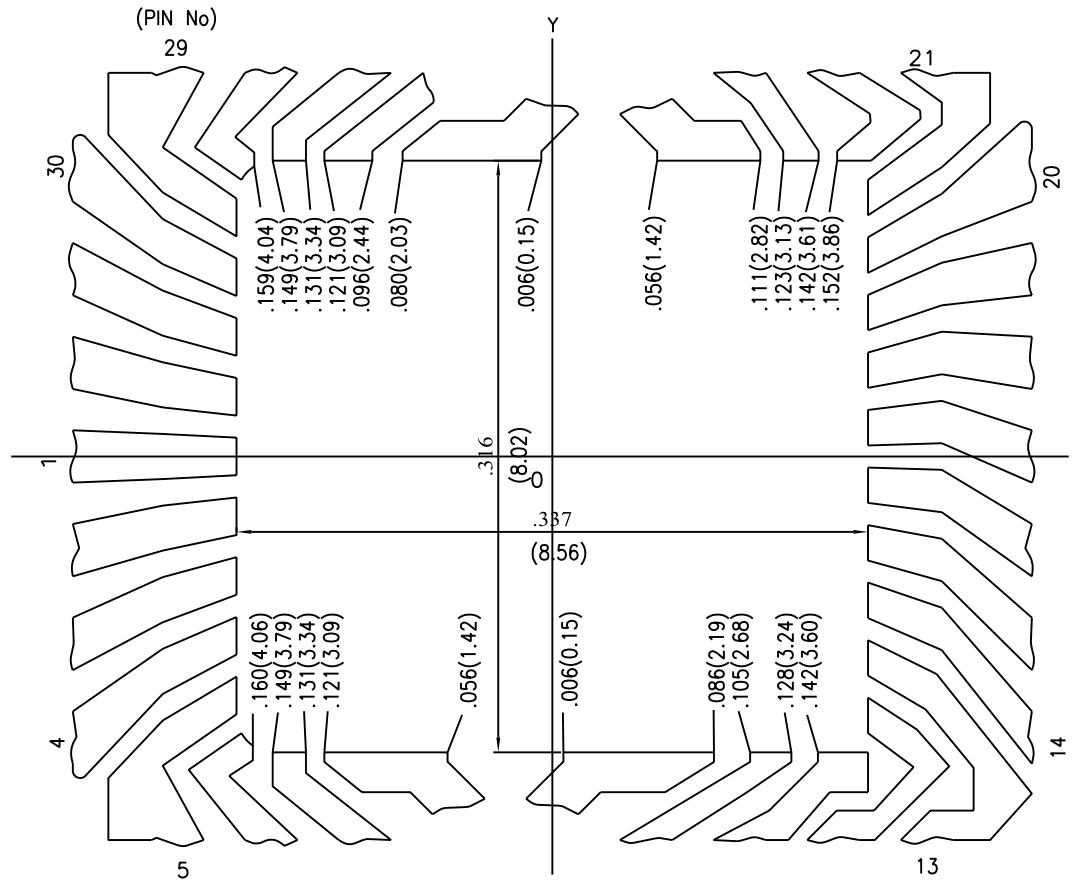
SSM P/N CQJ03205



MODIFICATIONS						NAME 32LD QUAD CERPAC'J'(316X337) TOLERANCES- UNLESS OTHERWISE SPECIFIED	DRAWN K.OKADA	CHECKED N.GODA
							APPROVED N.GODA	DATE DEC.13'88
							SCALE 8 : 1	MATERIAL _____
							KYOCERA CORPORATION KYOTO JAPAN	DWG No. QC-032211-J Δ (1/2)
	C H A N G E	DATE	DRAWN	CHECKED	APPROVED			



SSM P/N CQJ03205



MODIFICATIONS						NAME 32LD QUAD CERPAC'J'(316X337)	TOLERANCES: UNLESS OTHERWISE SPECIFIED	DRAWN K.OKADA	CHECKED N.GODA		
								SCALE 15 : 1	MATERIAL	APPROVED N.GODA	DATE DEC.13'88
C H A N G E		DATE	DRAWN	CHECKED	APPROVED	KYOCERA CORPORATION	KYOTO JAPAN	DWG No. QC-032211-J Δ (2/2)			

