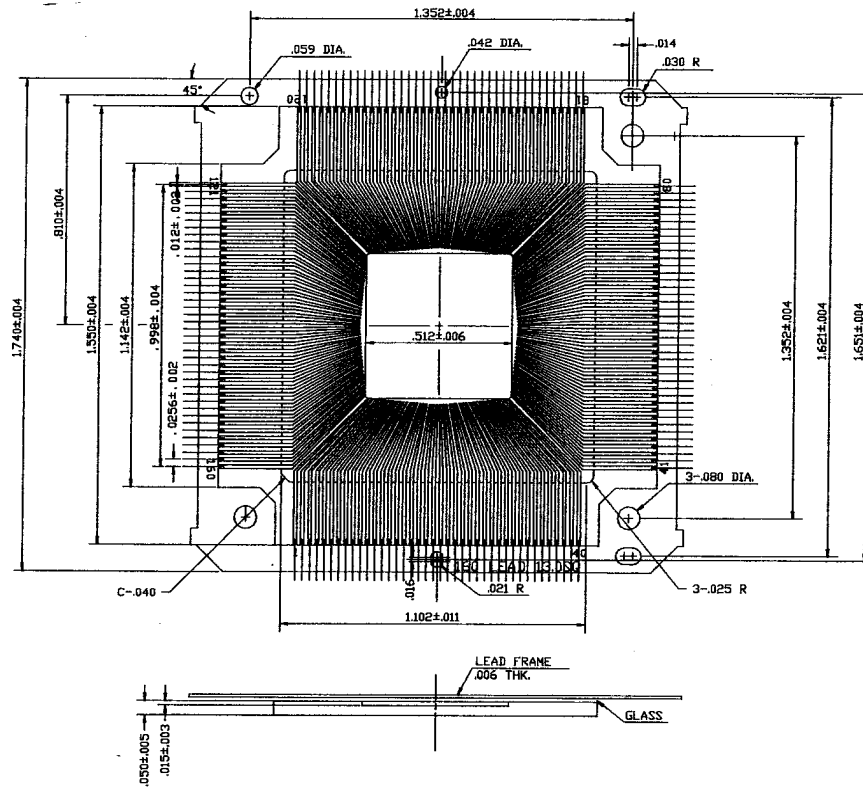
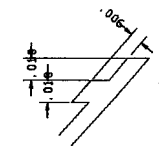


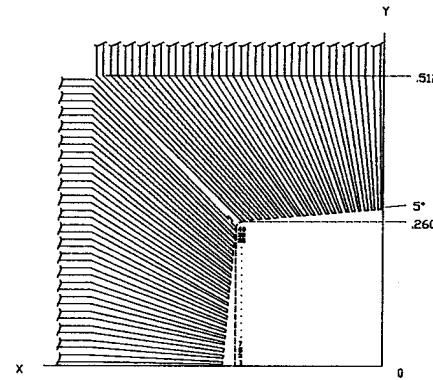
SSM P/N CQF16002



NO	X/Y	NO	X/Y
1	.003	21	.118
2	.088	22	.124
3	.014	23	.130
4	.019	24	.136
5	.025	25	.143
6	.031	26	.149
7	.038	27	.156
8	.042	28	.162
9	.049	29	.169
10	.053	30	.175
11	.059	31	.182
12	.064	32	.189
13	.071	33	.196
14	.076	34	.203
15	.082	35	.210
16	.088	36	.217
17	.094	37	.225
18	.099	38	.232
19	.106	39	.240
20	.111	40	.247



PIN NOS. 1, 41, 81, 121



ALL DIMENSIONS IN INCHES

NAME 160LD CERQUAD
 MATERIAL CERAMIC KYOCERA 90% MIN (BLACK)

TOLERANCES:

SCALE: NONE

DWG. NO. QC-160301

