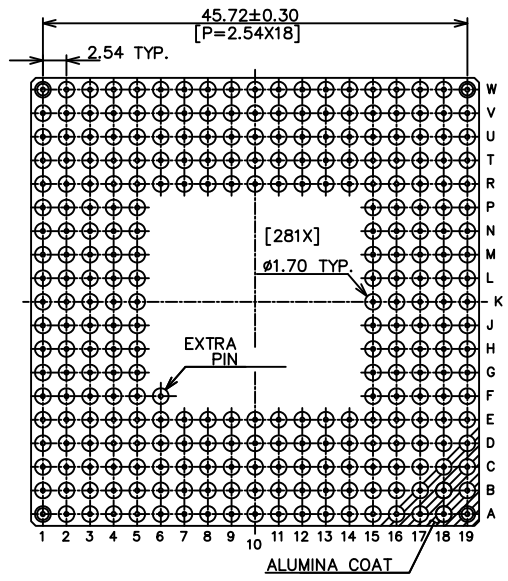
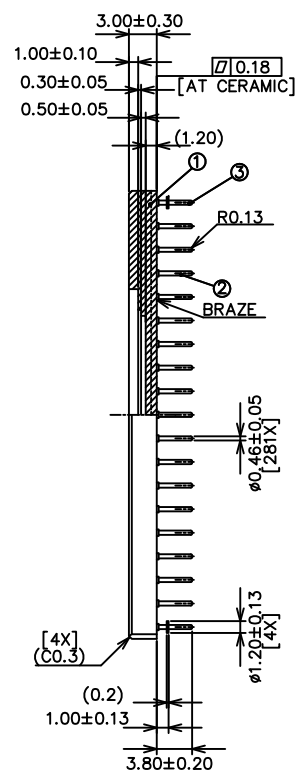
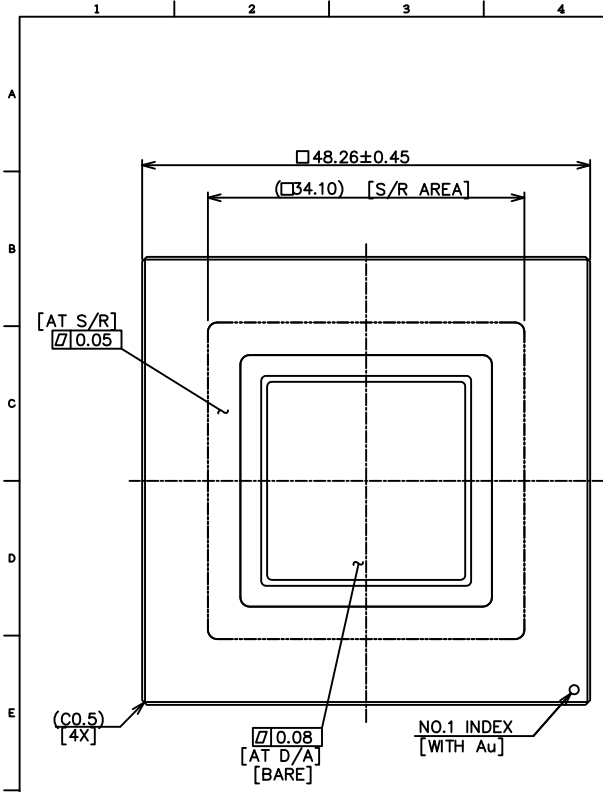




LATEST REVISION'S DESCRIPTION	



- NOTES:
- GOLD PLATE 1.5µm MIN OVER
1.3~8.9µm NICKEL.
 - PIN F6 IS ISOLATED.
 - NTK SPEC. YS-1010 SHALL APPLY.

③	STAND OFF PIN	KOVAR			
②	PIN	KOVAR			
①	CERAMIC	BLACK ALUMINA			
Item	Name	Material	Description	Rev.	Description
UNLESS OTHERWISE SPECIFIED			DRAWN		
TOLERANCES: ± 1%			T. OKUMURA		
N. L. T. 1/2 DECIMALS X, Y ± 0.25			CHECKED		
N. L. T. 1/2 DECIMALS X, Z ± 0.13			N. NAKAYAMA		
CUSTOMER			APPROVED		
ALEXIMA			T. NOMIURA		
DWG NO.			UNIT	MM	DWG NO.
			SCALE	/	IPKY8F0-2016C

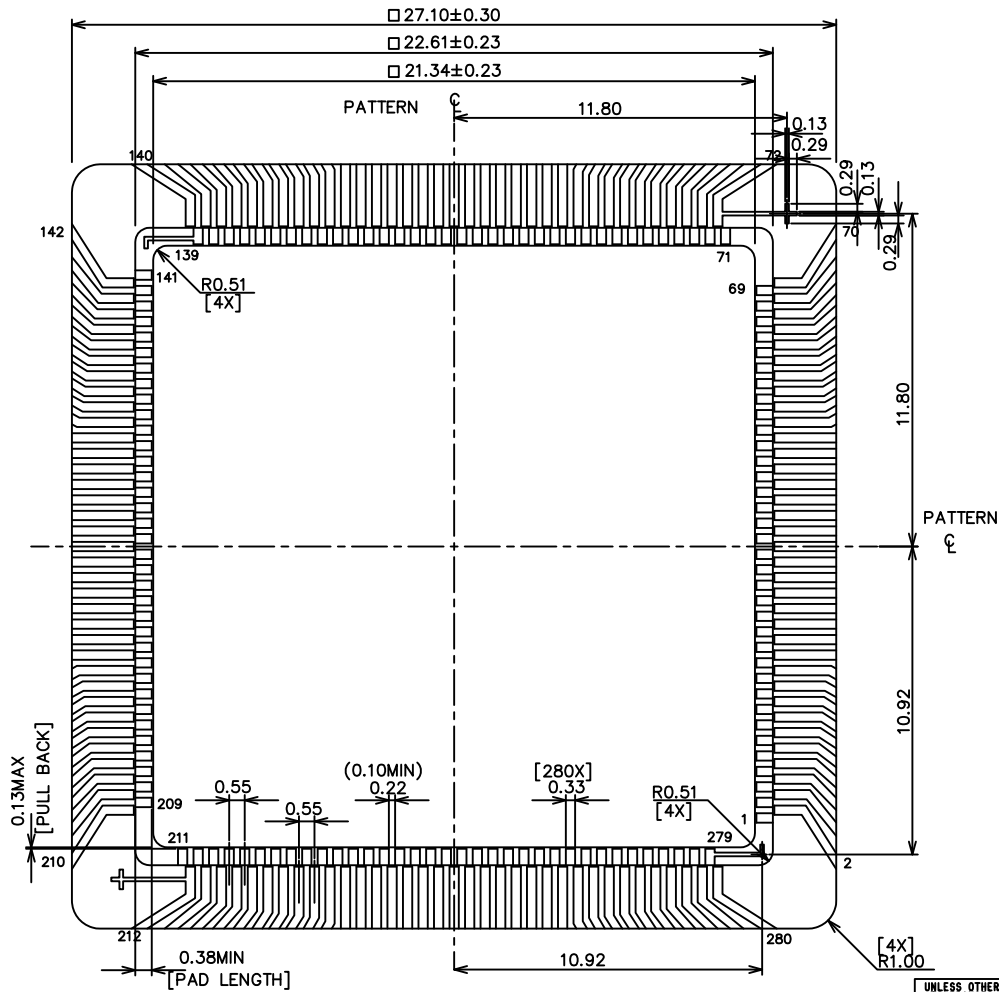
MODIFIED DWG NO. IPKY8F1-1972A

PART NO. SHEET 1 OF 4



NTK

LATEST REVISIONS DESCRIPTION



MODIFIED DWG NO. IPKY8F1-1972A

UNLESS OTHERWISE SPECIFIED
 TOLERANCES: ± 1%
 N. L. T. 1 DECIMALS X.X ± 0.25
 2 DECIMALS X.XX ± 0.13

DRAWN
TOKUMURA
 CHECKED
N.NAKAYAMA
 APPROVED
T.NOMURA
 UNIT MM
 SCALE /

Rev.	Description	Date
0	NEW DRAWING	JAN-17-2005
	NTK NGK SPARK PLUG CO., LTD.	
	TITLE	
	B/G PADS DETAIL	
	DWG NO.	
	IPKY8F0-2016C	

PART NO. SHEET 3 OF 4





LATEST REVISION'S DESCRIPTION	

CONNECTION TABLE

W/B NO.	PIN NO.	W/B NO.	PIN NO.	W/B NO.	PIN NO.	W/B NO.	PIN NO.	W/B NO.	PIN NO.	W/B NO.	PIN NO.
1	E5	51	M4	101	U8	151	N15	201	G15	251	C10
2	C3	52	P1	102	V9	152	T18	202	T18	252	B9
3	D4	53	M5	103	T9	153	T17	203	F16	253	C9
4	B2	54	P2	104	W9	154	T19	204	D18	254	A8
5	F5	55	N3	105	U9	155	P16	205	E17	255	E9
6	B1	56	R1	106	V10	156	R18	206	B19	256	B8
7	A1	57	N4	107	R10	157	R17	207	E16	257	D9
8	C2	58	T1	108	W10	158	R19	208	D17	258	A7
9	E4	59	P3	109	T10	159	M15	209	F15	259	C8
10	C1	60	R2	110	W11	160	P18	210	C18	260	B7
11	G5	61	N5	111	U10	161	N16	211	E15	261	D8
12	D2	62	U1	112	V11	162	P19	212	C17	262	A6
13	D3	63	P4	113	U11	163	P17	213	D16	263	F8
14	D1	64	T2	114	W12	164	N18	214	B18	264	B6
15	F4	65	R3	115	R11	165	M16	215	E14	265	C7
16	E2	66	V1	116	V12	166	N19	216	A18	266	A5
17	E3	67	R4	117	T11	167	L15	217	A19	267	D7
18	E1	68	T3	118	W13	168	M18	218	B17	268	A4
19	H5	69	P5	119	U12	169	N17	219	D15	269	C6
20	F2	70	U2	120	V13	170	M19	220	A17	270	B5
21	G4	71	R5	121	T12	171	M17	221	E13	271	E7
22	F1	72	U3	122	W14	172	L18	222	B16	272	A3
23	F3	73	T4	123	R12	173	L16	223	C16	273	D6
24	G2	74	V2	124	V14	174	L19	224	A16	274	B4
25	H4	75	R6	125	U13	175	L17	225	D14	275	C5
26	G1	76	W2	126	W15	176	K18	226	B15	276	A2
27	J5	77	W1	127	T13	177	K15	227	C15	277	D5
28	H2	78	V3	128	W16	178	K19	228	A15	278	C4
29	G3	79	T5	129	U14	179	K16	229	E12	279	E6
30	H1	80	W3	130	V15	180	J19	230	B14	280	B3
31	H3	81	R7	131	R13	181	K17	231	D13		
32	J2	82	V4	132	W17	182	J18	232	A14		
33	J4	83	U4	133	T14	183	J17	233	C14		
34	J1	84	W4	134	V16	184	H19	234	B13		
35	J3	85	T6	135	U15	185	J15	235	D12		
36	K2	86	V5	136	W18	186	H18	236	A13		
37	K5	87	U5	137	T15	187	J16	237	E11		
38	K1	88	W5	138	U16	188	G19	238	B12		
39	K4	89	R8	139	R14	189	H17	239	C13		
40	L1	90	V6	140	V17	190	G18	240	A12		
41	K3	91	T7	141	R15	191	H16	241	C12		
42	L2	92	W6	142	U17	192	F19	242	B11		
43	L3	93	U6	143	T16	193	H15	243	D11		
44	M1	94	V7	144	V18	194	F18	244	A11		
45	L5	95	T8	145	P15	195	G17	245	C11		
46	M2	96	W7	146	V19	196	E19	246	B10		
47	L4	97	R9	147	W19	197	G16	247	E10		
48	N1	98	V8	148	U18	198	D19	248	A10		
49	M3	99	U7	149	R16	199	F17	249	D10		
50	N2	100	W8	150	U19	200	E18	250	A9		

	NEW DRAWING	JAN-17-2005
Rev.	Description	Date

UNLESS OTHERWISE SPECIFIED TOLERANCES: ± 1%	DRAWN T. OKUMURA	NTK
N. L. T. 1 DECIMALS X, Y, Z ± 0.25	CHECKED N. NAKAYAMA	NGK SPARK PLUG CO., LTD.
2 DECIMALS X, XX ± 0.13	APPROVED T. NOMIURA	TITLE CONNECTION TABLE
CUSTOMER ALEXIMA	UNIT MM	DWG NO. IPKY8F0-2016C
DWG NO.	SCALE	

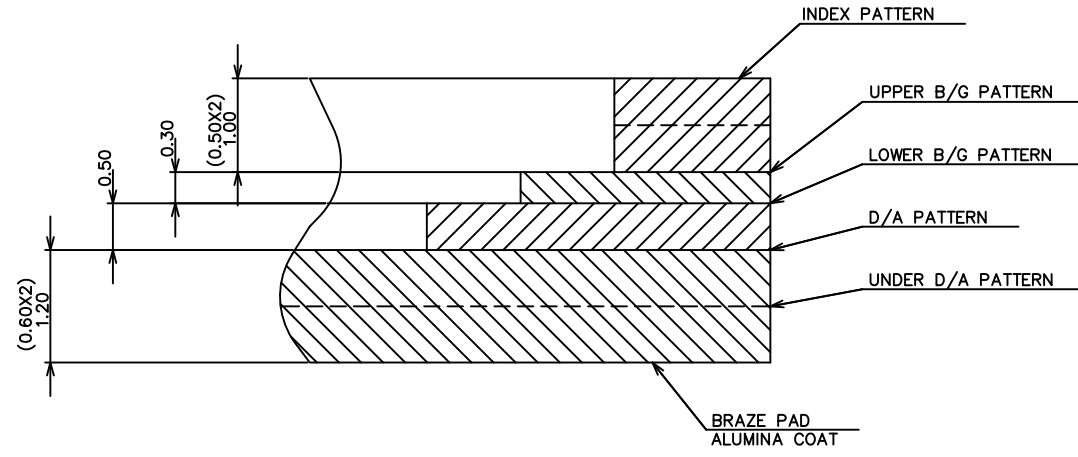
MODIFIED DWG NO. IPKY8F1-1972A

PART NO. SHEET 4 OF 4



NTK

9	10	11
LATEST REVISION S		DESCRIPTION



MODIFIED DWG NO. 1 IPKY8F1-1972A

UNLESS OTHERWISE SPECIFIED TOLERANCES: ± 1 %		DRAWN T OKUMURA	NTK
N. L. T. 1 DECIMALS X, Y ± 0.25		CHECKED N. NAKAYAMA	NGK SPARK PLUG CO., LTD.
3 DECIMALS X, XX ± 0.13		APPROVED T. NOMURA	TITLE PACKAGE LAY-UP
CUSTOMER ALEXIMA	UNIT MM	DWG NO.	IPKY8F0-2016C
DWG NO.	SCALE		

Rev.	Description	Date
∅	NEW DRAWING	JAN-17-2005

PART NO. SHEET 2 OF 4

