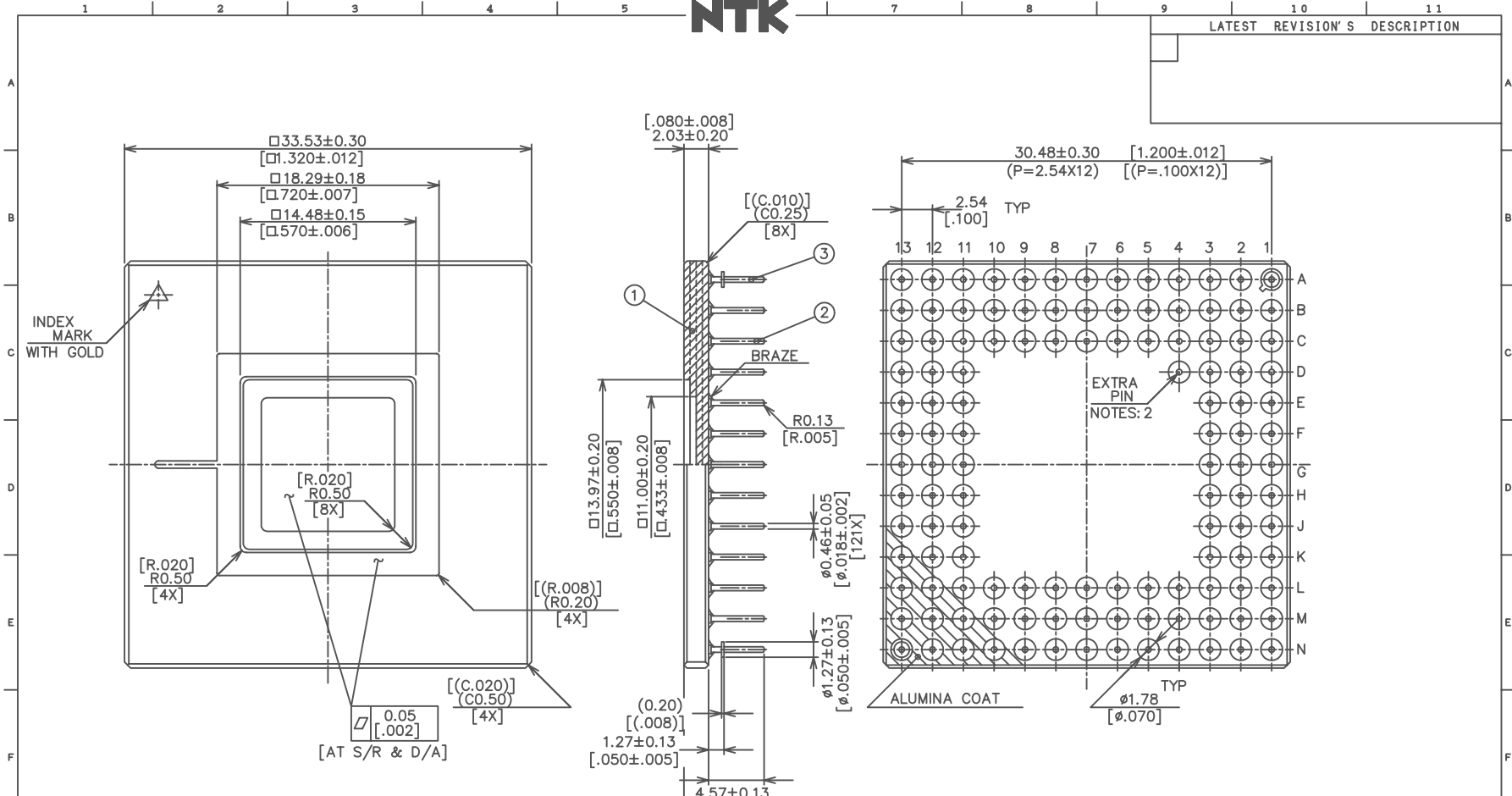


NTK

LATEST REVISION'S DESCRIPTION



NOTES:

1. GOLD PLATE 1.5µm[60? INCHES] MIN OVER
1.3~8.9µm[50~350? INCHES] NICKEL.
2. EXTRA PIN D4 SHALL BE FLOATING FROM ANY PINS.
3. S/R & D/A TO BE FLOATING FROM ANY PINS.
4. LEAD RESISTANCE ----- 800mΩMAX.
5. NTK SPEC YS-1010 SHALL APPLY.

3	STAND OFF PIN	KOVAR			
2	PIN	KOVAR			
1	CERAMIC	BLACK ALUMINA			
UNLESS OTHERWISE SPECIFIED TOLERANCES: ±0.005			DRAWN	C. MATSUURA	NEW DRAWING
N. L. T. NO DIMENSIONS TO BE CHANGED WITHOUT APPROVAL			CHECKED	Y. KACHI	JAN.-25-2007
CUSTOMER			APPROVED	S. NISHIMURA	NTK
SPECTRUM			UNIT	MM[INCH]	NGK SPARK PLUG CO., LTD.
DWG NO.			SCALE		TITLE
					120 PIN GRID ARRAY
					DWG NO.
					IPKX2F1-8878H

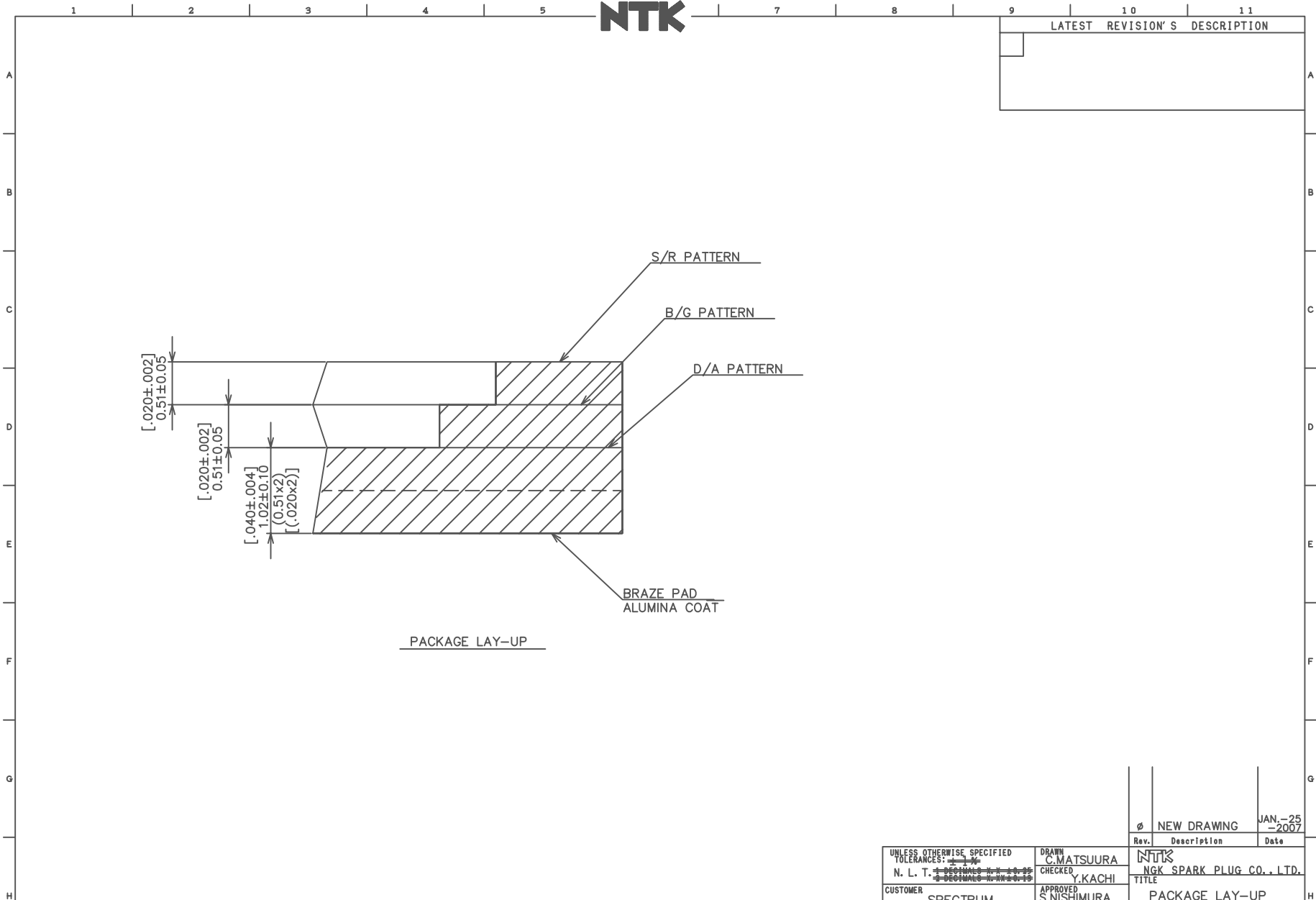
MODIFIED DWG NO. IPKX2F1-8878G

PART NO. SHEET 1 OF 4



SSM P/N: CPG12033

NTK



REV.	DATE	DESCRIPTION

MODIFIED DWG NO. 1 IPKX2F1-8878G 2

UNLESS OTHERWISE SPECIFIED TOLERANCES: ± 0.005	DRAWN C.MATSUURA	NTK	NEW DRAWING	JAN.-25-2007
N. L. T. DECIMALS IN DIMENSIONS	CHECKED Y.KACHI	NGK SPARK PLUG CO., LTD.	Rev.	Date
CUSTOMER SPECTRUM	APPROVED S.NISHIMURA	PACKAGE LAY-UP	Description	
DWG NO. _____	UNIT MM [INCH]	DWG NO. IPKX2F1-8878H		
	SCALE /			

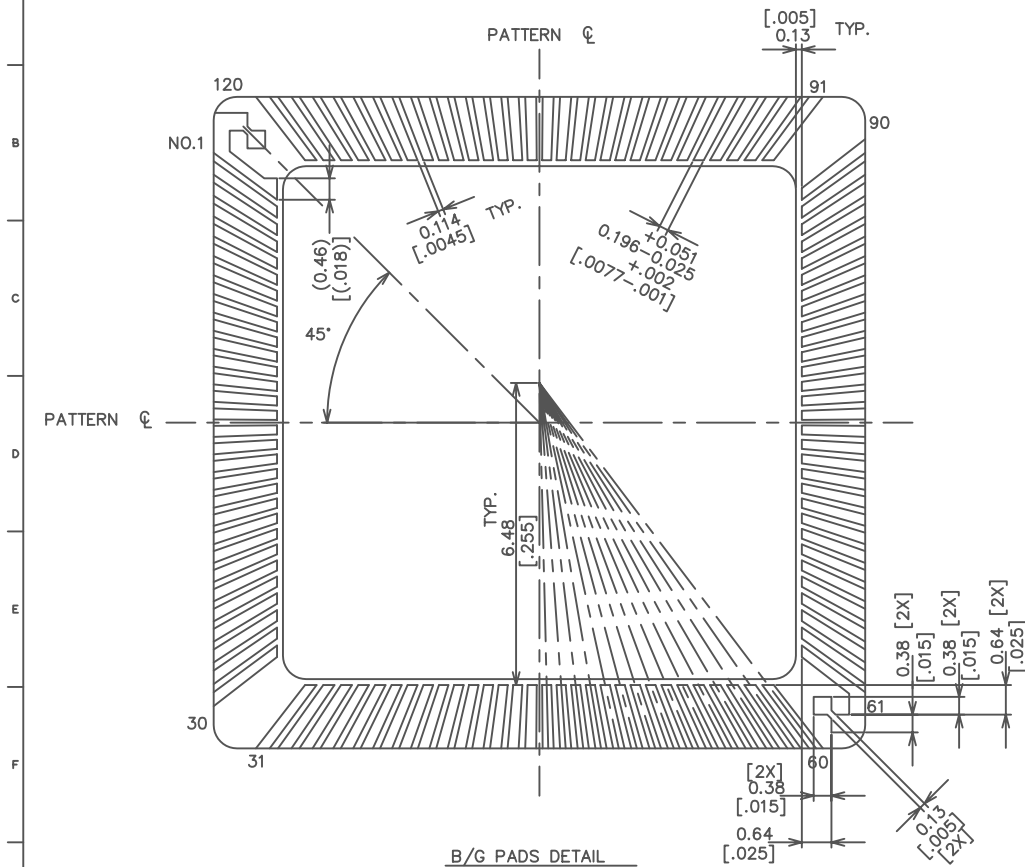
PART NO. SHEET 2 OF 4



SSM P/N: CPG12033

NTK

LATEST REVISION'S DESCRIPTION



W/B NO.	W/B ANGLE
46	1.370°
47	4.108°
48	6.840°
49	9.560°
50	12.261°
51	14.938°
52	17.585°
53	20.196°
54	22.767°
55	25.293°
56	27.770°
57	30.194°
58	32.562°
59	34.871°
60	37.119°

NOTES:
THIS TABLE SHOWS 1/8 OF THE TOTAL AND IS SYMMETRICAL TO THE CENTER LINE.

MODIFIED DWG NO. IPKX2F1-8878G

UNLESS OTHERWISE SPECIFIED TOLERANCES: ±0.005
N. L. T. ±0.005
CUSTOMER SPECTRUM
DWG NO.

DRAWN C. MATSUURA
CHECKED Y. KACHI
APPROVED S. NISHIMURA
UNIT MM(INCH)
SCALE

Rev.	Description	Date
0	NEW DRAWING	JAN.-25-2007
NTK NGK SPARK PLUG CO., LTD.		
TITLE B/G PADS DETAIL		
DWG NO. IPKX2F1-8878H		

PART NO.

SHEET 3 OF 4



SSM P/N: CPG12033

NTK

CONNECTION TABLE (PAD ~ PIN)

PAD	PIN	PAD	PIN	PAD	PIN	PAD	PIN	PAD	PIN
1	C3	26	L1	51	N9	76	G11	101	A9
2	B2	27	M1	52	M9	77	G13	102	C8
3	B1	28	K3	53	N10	78	F13	103	B8
4	D3	29	L2	54	L9	79	F12	104	A8
5	C2	30	N1	55	M10	80	F11	105	B7
6	C1	31	L3	56	N11	81	E13	106	C7
7	D2	32	M2	57	N12	82	E12	107	A7
8	E3	33	N2	58	L10	83	D13	108	A6
9	D1	34	L4	59	M11	84	E11	109	B6
10	E2	35	M3	60	N13	85	D12	110	C6
11	E1	36	N3	61	L11	86	C13	111	A5
12	F3	37	M4	62	M12	87	B13	112	B5
13	F2	38	L5	63	M13	88	D11	113	A4
14	F1	39	N4	64	K11	89	C12	114	C5
15	G2	40	M5	65	L12	90	A13	115	B4
16	G3	41	N5	66	L13	91	C11	116	A3
17	G1	42	L6	67	K12	92	B12	117	A2
18	H1	43	M6	68	J11	93	A12	118	C4
19	H2	44	N6	69	K13	94	C10	119	B3
20	H3	45	M7	70	J12	95	B11	120	A1
21	J1	46	L7	71	J13	96	A11		
22	J2	47	N7	72	H11	97	B10		
23	K1	48	N8	73	H12	98	C9		
24	J3	49	M8	74	H13	99	A10		
25	K2	50	L8	75	G12	100	B9		

	9	10	11
	LATEST	REVISION	DESCRIPTION

MODIFIED DWG NO. 1 IPKX2F1-8878G

UNLESS OTHERWISE SPECIFIED TOLERANCES: ***	DRAWN C. MATSUURA	NTK
N. L. T. 0.0010 ± 0.0005	CHECKER Y. KACHI	NGK SPARK PLUG CO., LTD.
CUSTOMER SPECTRUM	APPROVED S. NISHIMURA	TITLE CONNECTION TABLE
DWG NO.	UNIT MM(INCH)	DWG NO. IPKX2F1-8878H
	SCALE /	

Rev.	Description	Date
0	NEW DRAWING	JAN-25-2007

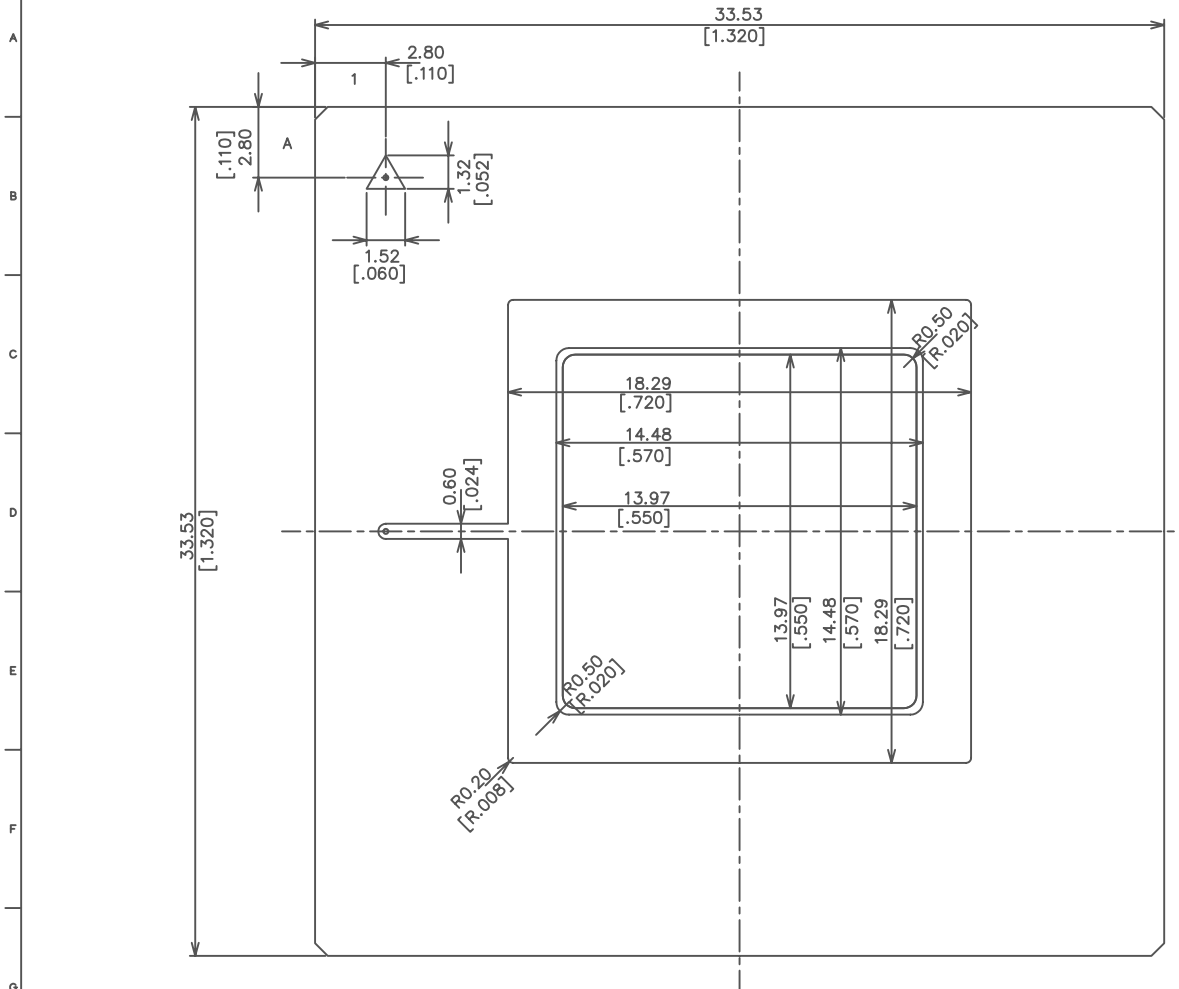
PART NO. SHEET 4 OF 4



SSM P/N: CPG12033

NTK

REV.	DATE	DESCRIPTION



MODIFIED
DWG NO.

DESCRIPTION	DRAWN C. MATSUURA	NEW DRAWING	JAN-25-2007
FILE NAME pp8878h-e	CHECKED Y. KACHI	Rev.	Description
CUSTOMER SPECTRUM	APPROVED S. NISHIMURA	Date	
DWG NO.	UNIT MM [INCH]	TITLE S/R PATTERN	DWG NO.
	SCALE /		P-IPK-8878G-3

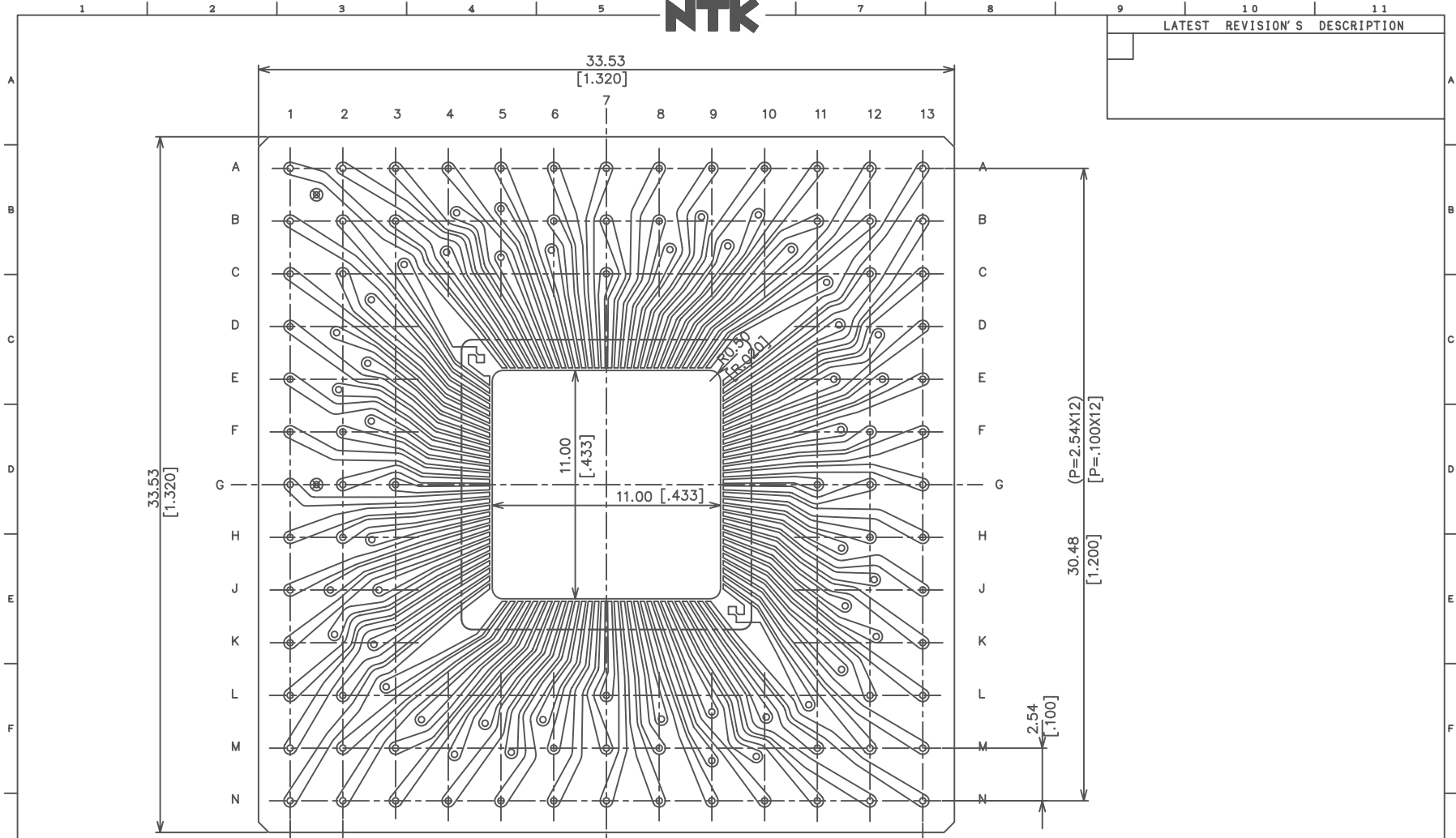
PART NO. SHEET OF



SSM P/N: CPG12033

NTK

LATEST REVISION'S DESCRIPTION	



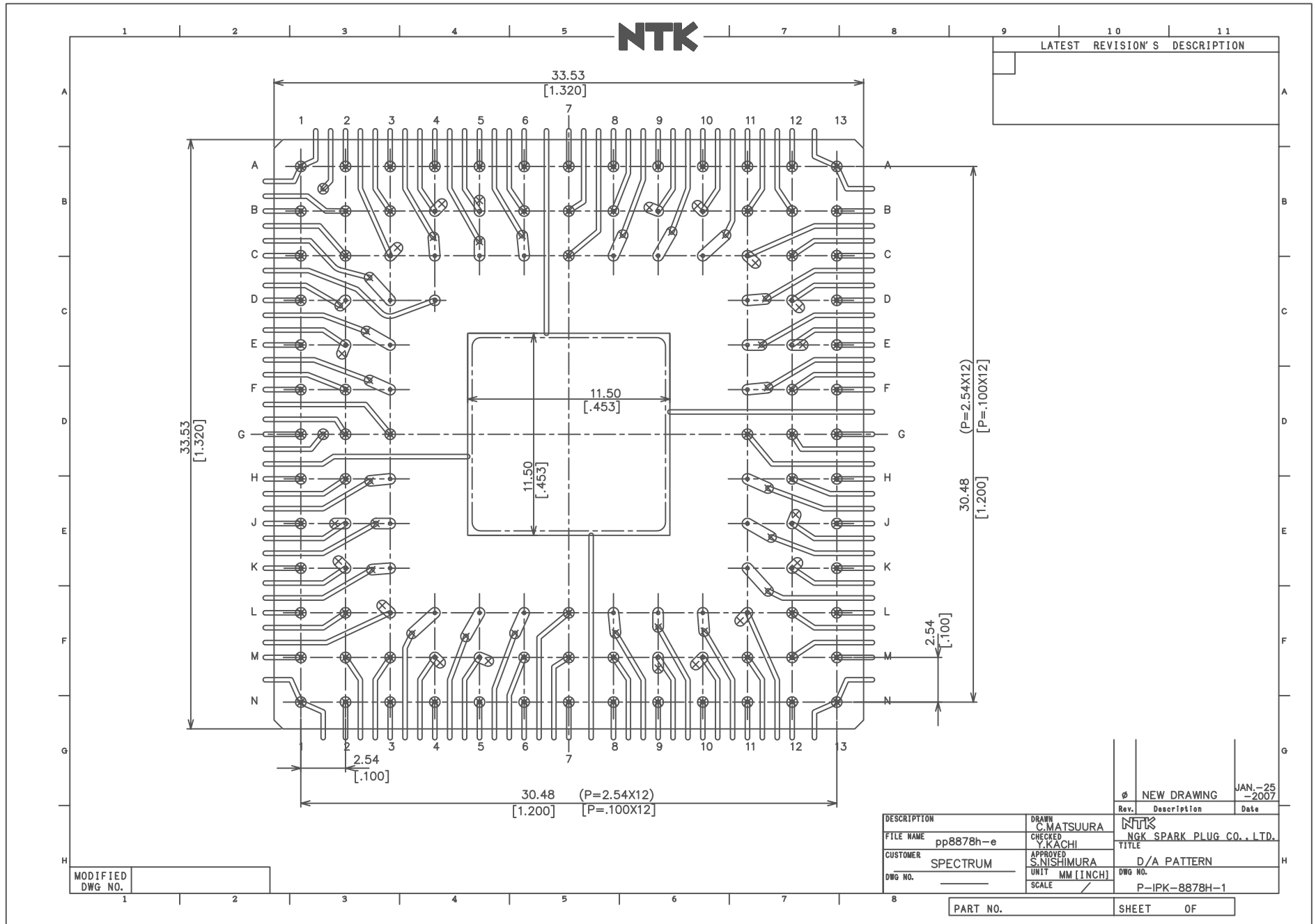
MODIFIED
DWG NO.

DESCRIPTION	DRAWN C.MATSUURA	NEW DRAWING	JAN.-25 -2007
FILE NAME pp8878h-e	CHECKED Y.KACHI	Rev.	Description
CUSTOMER SPECTRUM	APPROVED S.NISHIMURA	NGK SPARK PLUG CO., LTD.	
DWG NO.	UNIT MM [INCH]	TITLE B/G PATTERN	
	SCALE	DWG NO. P-IPK-8878G-2	

PART NO. SHEET OF



SSM P/N: CPG12033



SSM P/N: CPG12033

