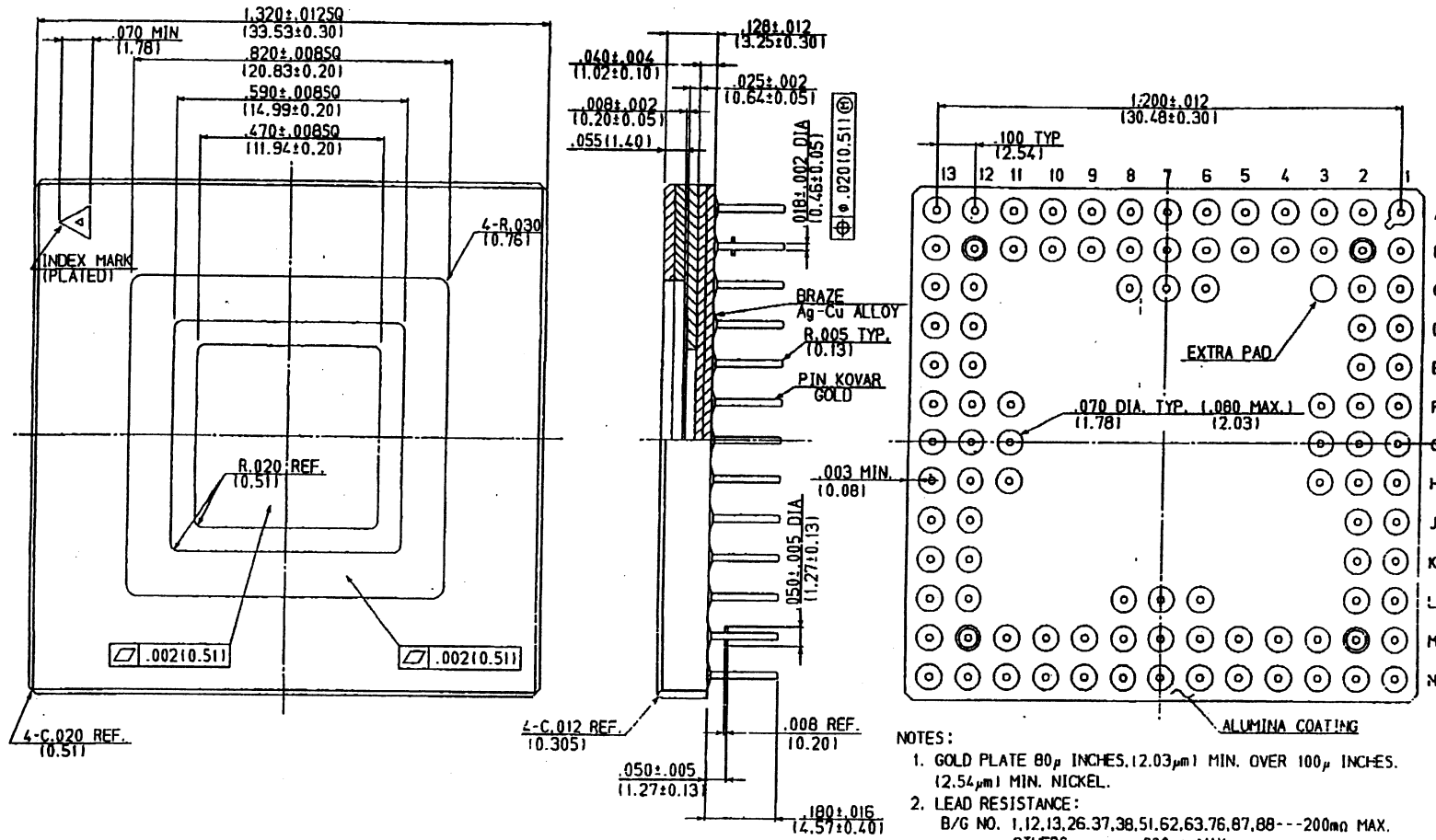


# SSM P/N CPG10036

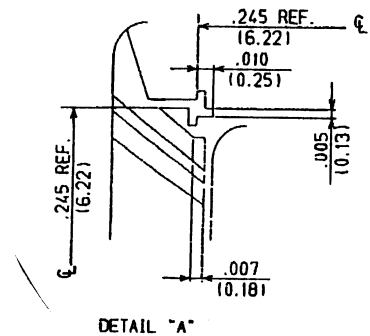
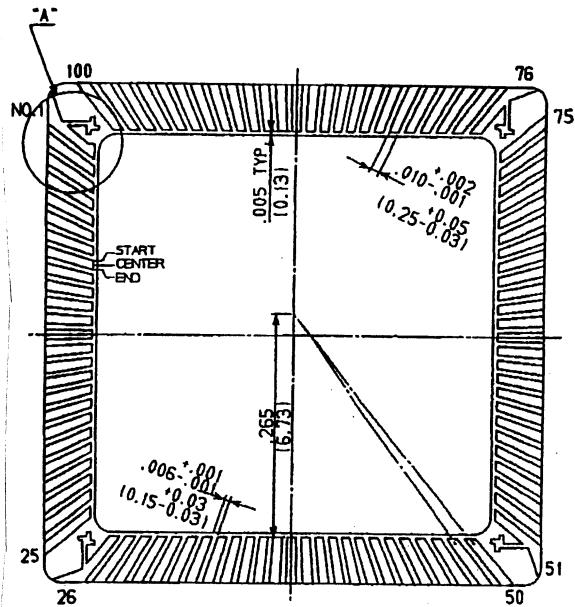


- NOTES:**
- GOLD PLATE  $80 \mu$  INCHES (2.03  $\mu$ m) MIN. OVER  $100 \mu$  INCHES (2.54  $\mu$ m) MIN. NICKEL.
  - LEAD RESISTANCE:  
B/G NO. 1,12,13,26,37,38,51,62,63,76,87,88 --- 200mΩ MAX.  
OTHERS ----- 800mΩ MAX.
  - BARE CAVITY.
  - EXTRA PAD TO BE NO PIN.

APPROVED	ENGR	CHECKED	DESIGNED	SCALE	MATERIAL	TOL. UNLESS NOTED	X ± 1% XXX ± 1.7% XXXX ± 2.2%	TITLE	DWG NO.	SHT OF
	V. [Signature]			4 = 1	100L PGA			100L PGA	M3-02307-R01	1/8
	01-25-94			INCH (25.4)	PROJECTION	3rd	CUSTOM	OUR PART NO.	CUSTOMER DWG NO.	REV
								231088		



# SSM P/N CPG10036



B/F ANGLE $\theta^\circ$	B/F EDGES			B/F NO.
	CENTER	START	END	
0.000	0.0000	-0.0050	0.0050	13,38,63,88
3.455	0.0160	0.0110	0.0210	12,14,37,39,62,64,87,89
6.904	0.0321	0.0271	0.0371	11,15,36,40,61,65,86,90
10.334	0.0483	0.0432	0.0534	10,16,35,41,60,66,85,91
13.734	0.0648	0.0596	0.0699	9,17,34,42,59,67,84,92
17.090	0.0815	0.0763	0.0867	8,18,33,43,58,68,83,93
20.393	0.0985	0.0932	0.1038	7,19,32,44,57,69,82,94
23.632	0.1160	0.1105	0.1214	6,20,31,45,56,70,81,95
26.798	0.1339	0.1283	0.1394	5,21,30,46,55,71,80,96
29.863	0.1523	0.1465	0.1580	4,22,29,47,54,72,79,97
32.880	0.1713	0.1654	0.1772	3,23,28,48,53,73,78,98
35.782	0.1910	0.1848	0.1972	2,24,27,49,52,74,77,99
38.587	0.2114	0.2051	0.2178	1,25,26,50,51,75,76,100

PAD	PIN	PAD	PIN	PAD	PIN	PAD	PIN	PAD	PIN
1	B 2	21	K 2	41	M 8	61	H13	81	A10
2	B 1	22	L 1	42	L 8	62	G12	82	B 9
3	C 2	23	M 1	43	N 9	63	G11	83	A 9
4	C 1	24	L 2	44	M 9	64	G13	84	C 8
5	D 2	25	N 1	45	N10	65	F13	85	B 8
6	D 1	26	M 2	46	M10	66	F12	86	A 8
7	E 2	27	N 2	47	N11	67	F11	87	B 7
8	E 1	28	M 3	48	N12	68	E13	88	C 7
9	F 3	29	N 3	49	M11	69	E12	89	A 7
10	F 2	30	M 4	50	N13	70	D13	90	A 6
11	F 1	31	N 4	51	M12	71	D12	91	B 6
12	G 2	32	M 5	52	M13	72	C13	92	C 6
13	G 3	33	N 5	53	L12	73	B13	93	A 5
14	G 1	34	L 6	54	L13	74	C12	94	B 5
15	H 1	35	M 6	55	K12	75	A13	95	A 4
16	H 2	36	N 6	56	K13	76	B12	96	B 4
17	H 3	37	M 7	57	J12	77	A12	97	A 3
18	J 1	38	L 7	58	J13	78	B11	98	A 2
19	J 2	39	N 7	59	H11	79	A11	99	B 3
20	K 1	40	N 8	60	H12	80	B10	100	A 1

NOTE : THIS TABLE SHOWS 1/8 OF THE TOTAL AND IS SYMMETRICAL TO THE CENTER LINE.

APPROVED	ENGR	CHECKED	DESIGNED	SCALE	MATERIAL	TOL. UNLESS NOTED	X XX XXX	TITLE	DWG NO.	SHT OF
	V. J...			8 = 1				W/2 DETAIL & CONNECTION TABLE	M13-02307-R02	28
	01.24.94			DIMENSION	PROJECTION	CUSTOM		OUR PART NO. 231088	CUSTOMER DWG NO.	REV



www.spectrum-semi.com Phone: 408-435-5555 Fax: 408-435-8226