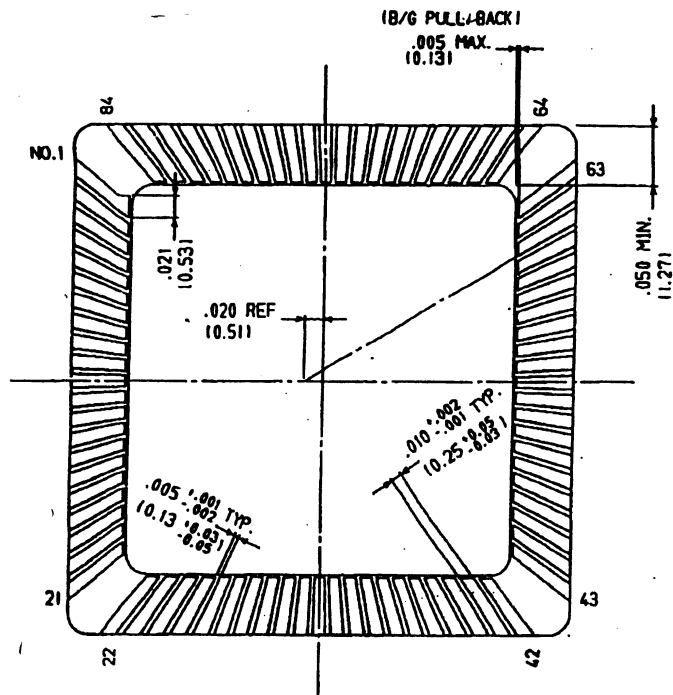


SSM P/N CPG08453



CONNECTION TABLE (PAD PIN)

PAD	PIN	PAD	PIN	PAD	PIN	PAD	PIN
1	B 2	22	K 2	43	K10	64	B10
2	C 2	23	K 3	44	J10	65	B 9
3	B 1	24	L 2	45	K11	66	A10
4	C 1	25	L 3	46	J11	67	A 9
5	D 2	26	K 4	47	H10	68	B 8
6	D 1	27	L 4	48	H11	69	A 8
7	E 3	28	J 5	49	F10	70	B 6
8	E 2	29	K 5	50	G10	71	A 7
9	E 1	30	L 5	51	G11	72	A 7
10	F 2	31	K 6	52	G 9	73	C 7
11	F 3	32	J 6	53	F 9	74	C 6
12	G 3	33	J 7	54	F11	75	A 6
13	G 1	34	L 7	55	E11	76	A 5
14	G 2	35	K 7	56	E10	77	B 5
15	F 1	36	L 6	57	E 9	78	C 5
16	H 1	37	L 8	58	D11	79	A 4
17	H 2	38	K 8	59	D10	80	B 4
18	J 1	39	L 9	60	C11	81	A 3
19	K 1	40	L10	61	B11	82	A 2
20	J 2	41	K 9	62	C10	83	B 3
21	L 1	42	L11	63	A11	84	A 1

MATERIAL	SCALE	TOL. UNLESS NOTED	X REF. DIMS	TITLE W/B DETAIL
	10:1			CONNECTION TABLE
	DIMENSION	PROJECTION	CUSTOM	OUR PART NO.
	INCH (mm)			239290
APPROVED	DRAWN	CHECKED	DESIGNED	DWG NO.
<i>Richard J. Jants</i>	<i>ALVA</i>	<i>Richard Link</i>		M3-02587-002 29
Aug. 11, 94	Aug. 11, 94	Aug. 11, 94	Aug. 12, 94	REV

