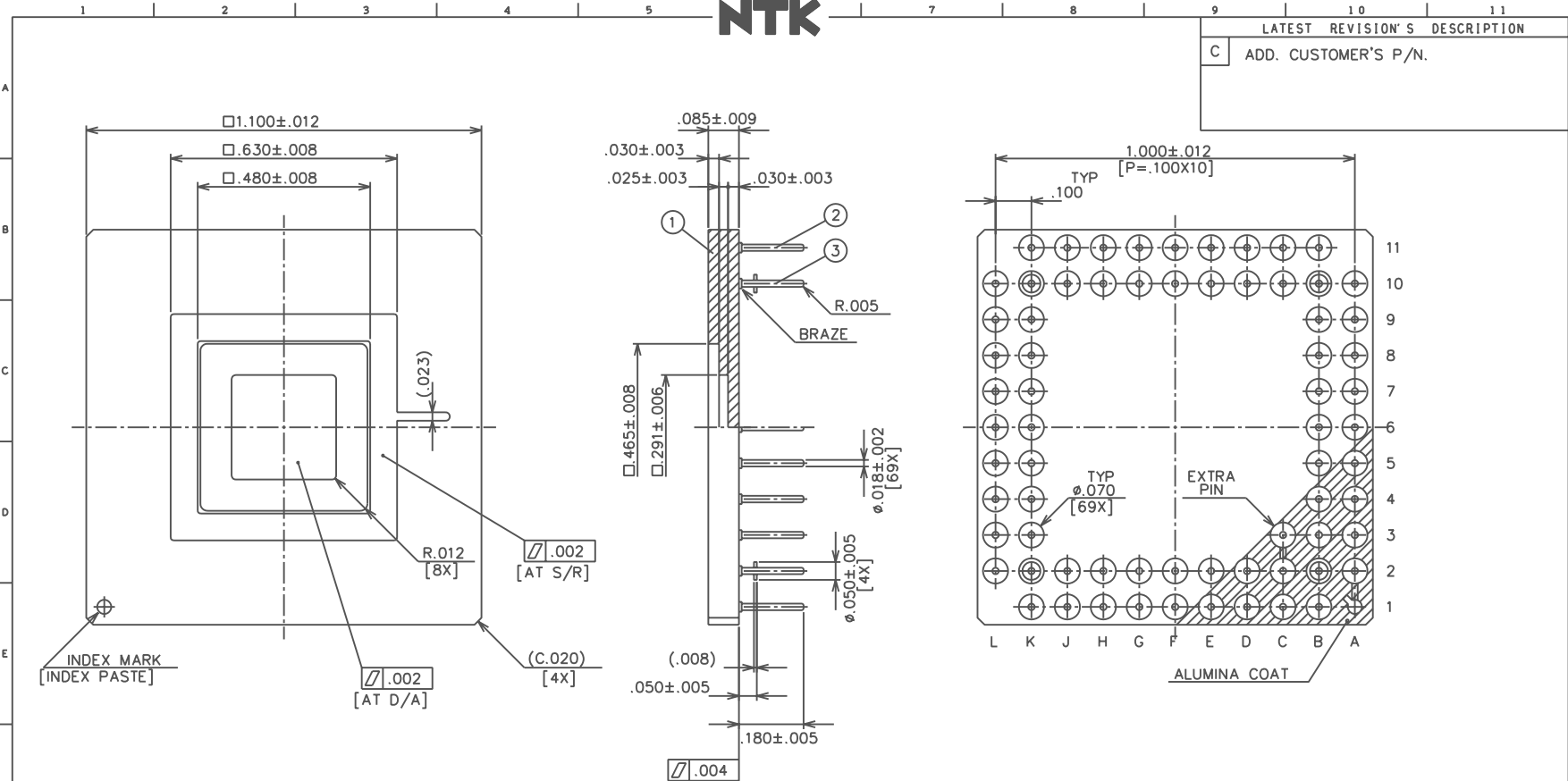




LATEST REVISION'S DESCRIPTION	
C	ADD. CUSTOMER'S P/N.



- NOTES:
1. GOLD PLATE 60 ~ 225? INCHES OVER
80 ~ 350? INCHES NICKEL.
 2. NO LEAD TO BE ELECTRICALLY CONNECTED
TO DIE ATTACH PAD. SEAL RING ISOLATED.
 3. LEAD RESISTANCE: 500m? MAX
 4. EXTRA PIN CONNECTED TO C2 PIN.
 5. ALPHATEC SPEC #MP-1-007 SHALL APPLY.

Item	Name	Material	Description	Rev.	Description	Date
3	STAND OFF PIN	KOVAR				NOV-02 -1995
2	PIN	KOVAR				AUG-18 -1995
1	CERAMIC	BLACK ALUMINA				FEB-15 -1995
				ø	NEW DRAWING	DEC-29 -1992

UNLESS OTHERWISE SPECIFIED TOLERANCES: ± 1 %		DRAWN N.KAWAI	NTK NGK SPARK PLUG CO., LTD.
N. L. T. 3-DEC-1983 1-1-88-88		CHECKED J.WASHINO	
CUSTOMER ALPHATEC ELECTRONICS		APPROVED J.WASHINO	TITLE 68 PIN GRID ARRAY
DWG NO. PGA-6803-1	UNIT 3/16 INCH	SCALE	DWG NO. IPK68F1-8143GA

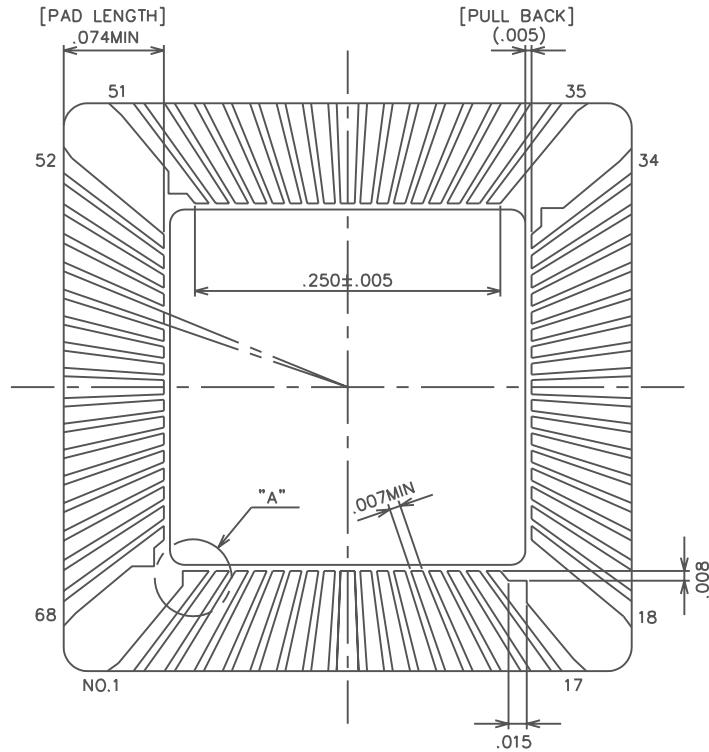
MODIFIED DWG NO.	1	2	3	4	5	6	7	8
------------------	---	---	---	---	---	---	---	---

PART NO. SHEET OF



NTK

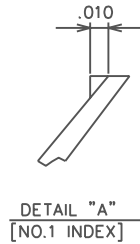
LATEST REVISION'S DESCRIPTION	
C	SEE SHEET 1 OF 2.



CONNECTION TABLE

PAD	PIN	PAD	PIN	PAD	PIN	PAD	PIN
1	B2	18	K2	35	K10	52	B10
2	B1	19	L2	36	K11	53	A10
3	C2	20	K3	37	J10	54	B9
4	C1	21	L3	38	J11	55	A9
5	D2	22	K4	39	H10	56	B8
6	D1	23	L4	40	H11	57	A8
7	E2	24	K5	41	G10	58	B7
8	E1	25	L5	42	G11	59	A7
9	F2	26	K6	43	F10	60	B6
10	F1	27	L6	44	F11	61	A6
11	G2	28	K7	45	E10	62	B5
12	G1	29	L7	46	E11	63	A5
13	H2	30	K8	47	D10	64	B4
14	H1	31	L8	48	D11	65	A4
15	J2	32	K9	49	C10	66	B3
16	J1	33	L9	50	C11	67	A3
17	K1	34	L10	51	B11	68	A2

B/G PADS DETAIL



Rev.	Description	Date
C	RE DRAWING	NOV-02-1995
A	RE DRAWING	FEB-15-1995
Ø	NEW DRAWING	DEC-29-1992

UNLESS OTHERWISE SPECIFIED TOLERANCES: ± 1%	DRAWN N.KAWAI	NGK SPARK PLUG CO., LTD. TITLE B/G PADS DETAIL & CONNECTION TABLE
N. L. T. XXXXXXXXXX	CHECKED J.WASHINO	
CUSTOMER ALPHATEC ELECTRONICS	APPROVED J.WASHINO	DWG NO. IPK68F1-8143GA
DWG NO. PGA-6803-1	UNIT MM INCH SCALE 1:1	

MODIFIED	
DWG NO.	

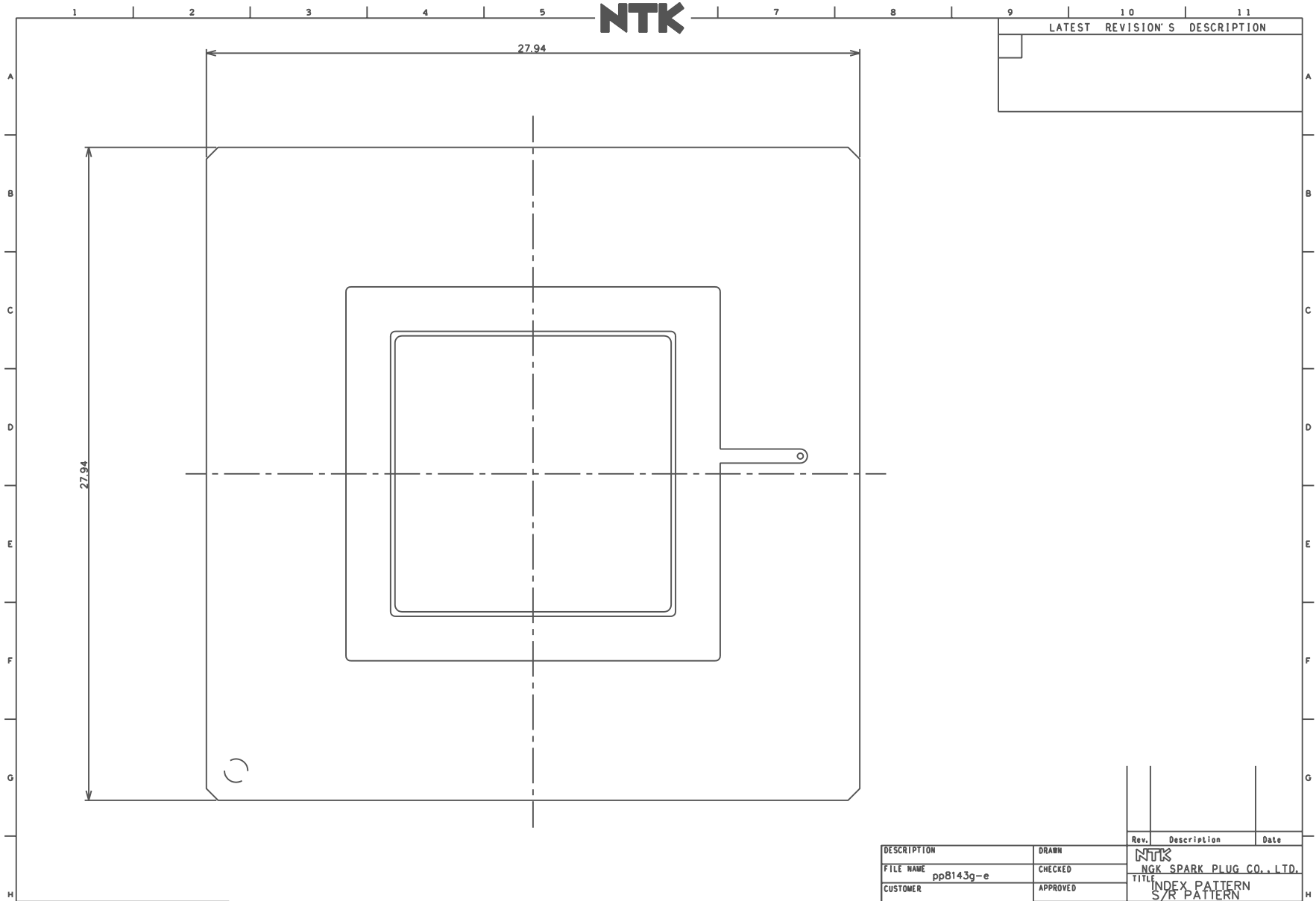
PART NO. SHEET OF



SSM P/N CPG06844

NTK

9	10	11
LATEST	REVISION	DESCRIPTION

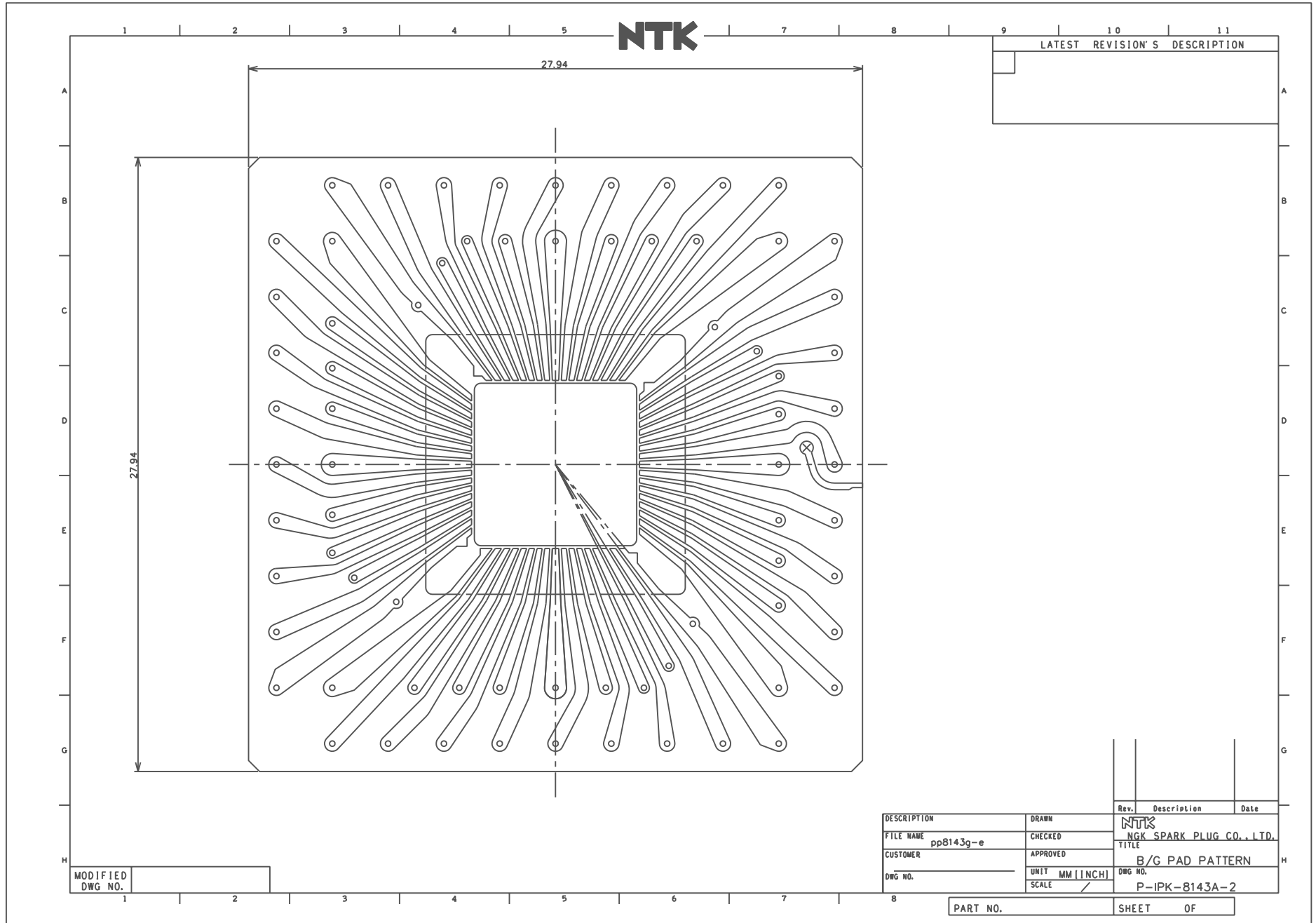


MODIFIED
DWG NO.

DESCRIPTION	DRAWN	Rev.	Description	Date
FILE NAME ppB143g-e	CHECKED	NTK	NGK SPARK PLUG CO., LTD.	
CUSTOMER	APPROVED	TITLE INDEX PATTERN S/R PATTERN		
DWG NO.	UNIT MM [INCH]	DWG NO. (P-IPK-8143G-4) P-IPK-8143G-3		
	SCALE /			

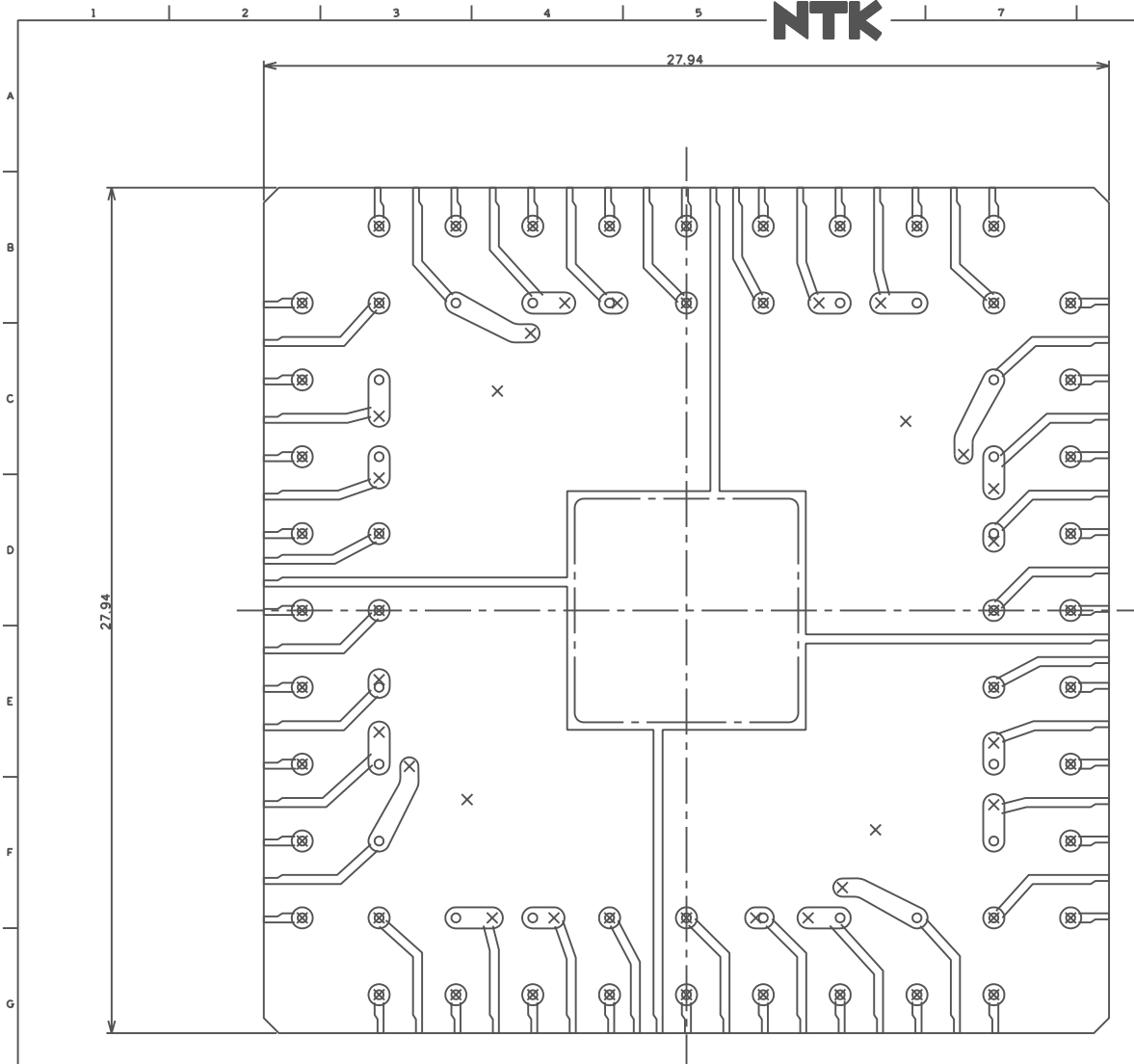
PART NO. SHEET OF





SSM P/N CPG06844

NTK



9	10	11
LATEST REVISION'S		DESCRIPTION

MODIFIED
DWG NO.

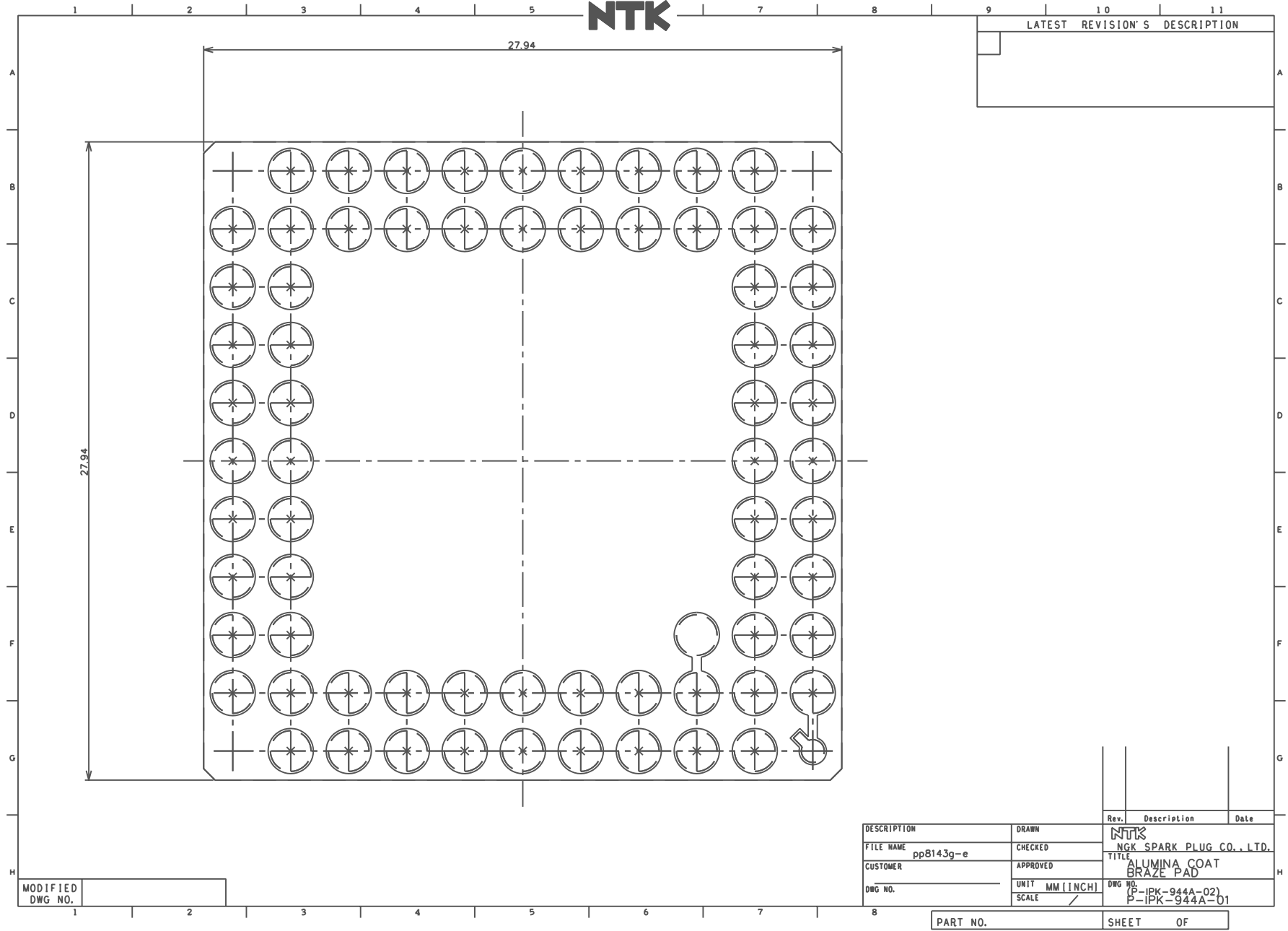
DESCRIPTION	DRAWN	Rev.	Description	Date
FILE NAME pp8143g-e	CHECKED	NTK	NGK SPARK PLUG CO., LTD.	
CUSTOMER	APPROVED		TITLE	
DWG NO.	UNIT MM (INCH)		D/A PAD PATTERN	
	SCALE /		DWG NO.	
			P-IPK-8143A-1	

PART NO. SHEET OF



SSM P/N CPG06844

NTK



MODIFIED
DWG NO.

DESCRIPTION	DRAWN	Rev.	Description	Date
FILE NAME pp8143g-e	CHECKED	NTK	NGK SPARK PLUG CO., LTD.	
CUSTOMER	APPROVED	TITLE	ALUMINA COAT BRAZE PAD	
DWG NO.	UNIT MM [INCH]	DWG NO.	P-IPK-944A-02 P-IPK-944A-01	
	SCALE /			
PART NO.			SHEET OF	

