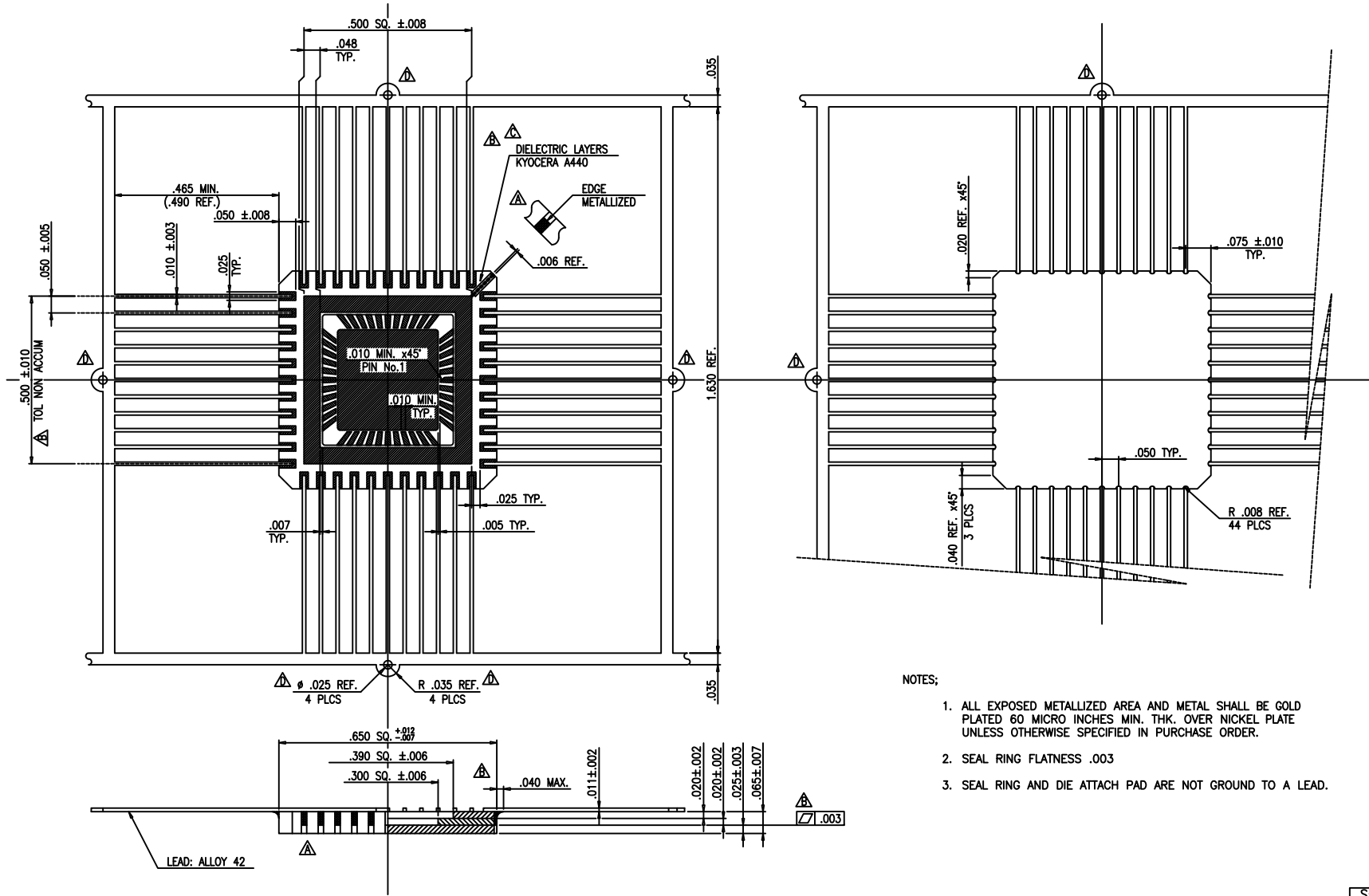


# SSM P/N: CCF04402



**NOTES:**

1. ALL EXPOSED METALLIZED AREA AND METAL SHALL BE GOLD PLATED 60 MICRO INCHES MIN. THK. OVER NICKEL PLATE UNLESS OTHERWISE SPECIFIED IN PURCHASE ORDER.
2. SEAL RING FLATNESS .003
3. SEAL RING AND DIE ATTACH PAD ARE NOT GROUND TO A LEAD.

MODIFICATIONS	△ CHANGED LEAD FRAME	OCT.21-'10	K.Y.	M.M/UE.	K.H.	NAME	44 CQFP (.300 SQ. CAV.)	TOLERANCES UNLESS OTHERWISE SPECIFIED	± .005	THIRD ANGLE PROJECTION	DRAWN	CHECKED	APPROVED	DATE
	△ CHANGED PATTERN & ADD .020 REF. DIA	1-22-'86	K.H.	S.M.		SCALE	5 / 1	MATERIAL	KYOCERA A440		S.M.	U.E.	K.H.	M.S.
	△ ADD : [Z1.003] .040 MAX.	6-12-'81	K.H.											
	△ CHANGED PATTERN	5-12-'81	K.H.	O.H.										
	CHANGE	DATE	DRAWN	CHECKED	APPROVED	<b>KYOCERA</b>	KYOCERA CORPORATION KYOTO JAPAN	DRAWING NO.	PB-12941-D	SHEET	1			



