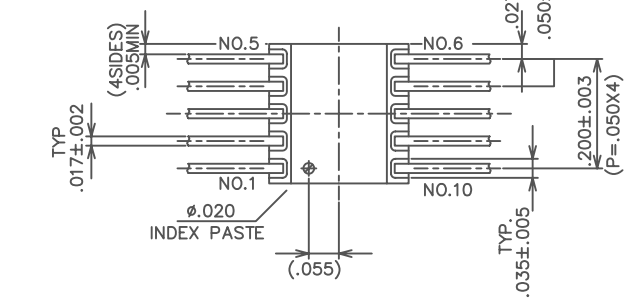
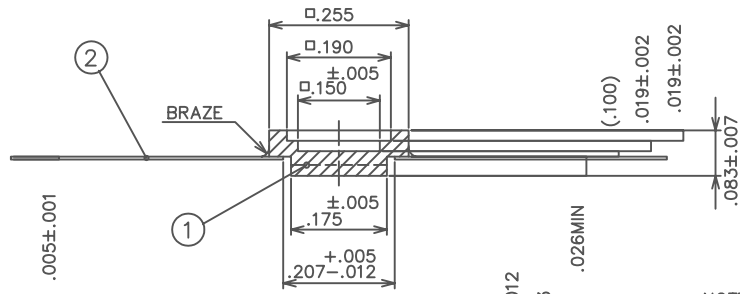
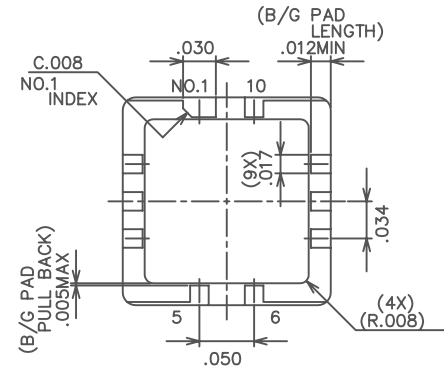
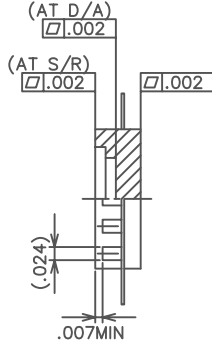
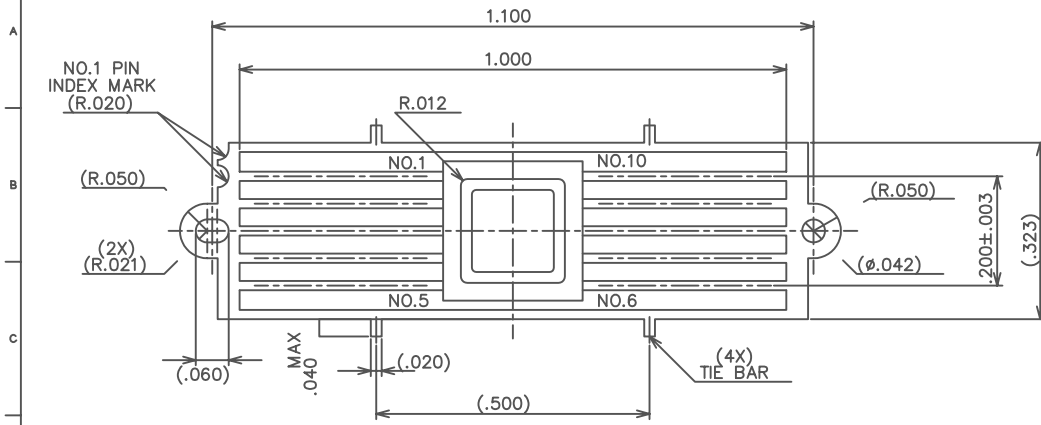


SSM P/N CCF01009

NTK

LATEST REVISION S DESCRIPTION

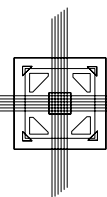


- NOTES:
1. GOLD PLATE 60? INCHES MIN OVER 100? INCHES MIN NICKEL.
 2. NO LEAD TO BE ELECTRICALLY CNNECTED TO TEH DIE ATTACH PAD. SEAL RING ISOLATED.
 3. LEAD RESISTANCE: ----- 200m? MAX.

③					
②	LEAD	ALLOY42			
①	CERAMIC	BLACK ALUMINA			
Item	Name	Material	Description	Rev.	Date
UNLESS OTHERWISE SPECIFIED			DRAWN	NEW DRAWING	
TOLERANCES: ± 1 X			CHECKED	APR-03	
N. L. T. 1 DECIMALS X.Y ± 0.25			NTK		
1/2 DECIMALS X.XX ± 0.13			NGK SPARK PLUG CO., LTD.		
CUSTOMER			APPROVED	TITLE	
MAXIM			10 LEAD FLAT PKG		
DWG NO.		UNIT	MM	DWG NO.	
		SCALE		IFK10F1-2276A	

MODIFIED DWG NO.

PART NO. SHEET OF



SPECTRUM
SEMICONDUCTOR MATERIALS, INC.

www.spectrum-semi.com Phone: 408-435-5555 Fax: 408-435-8226

