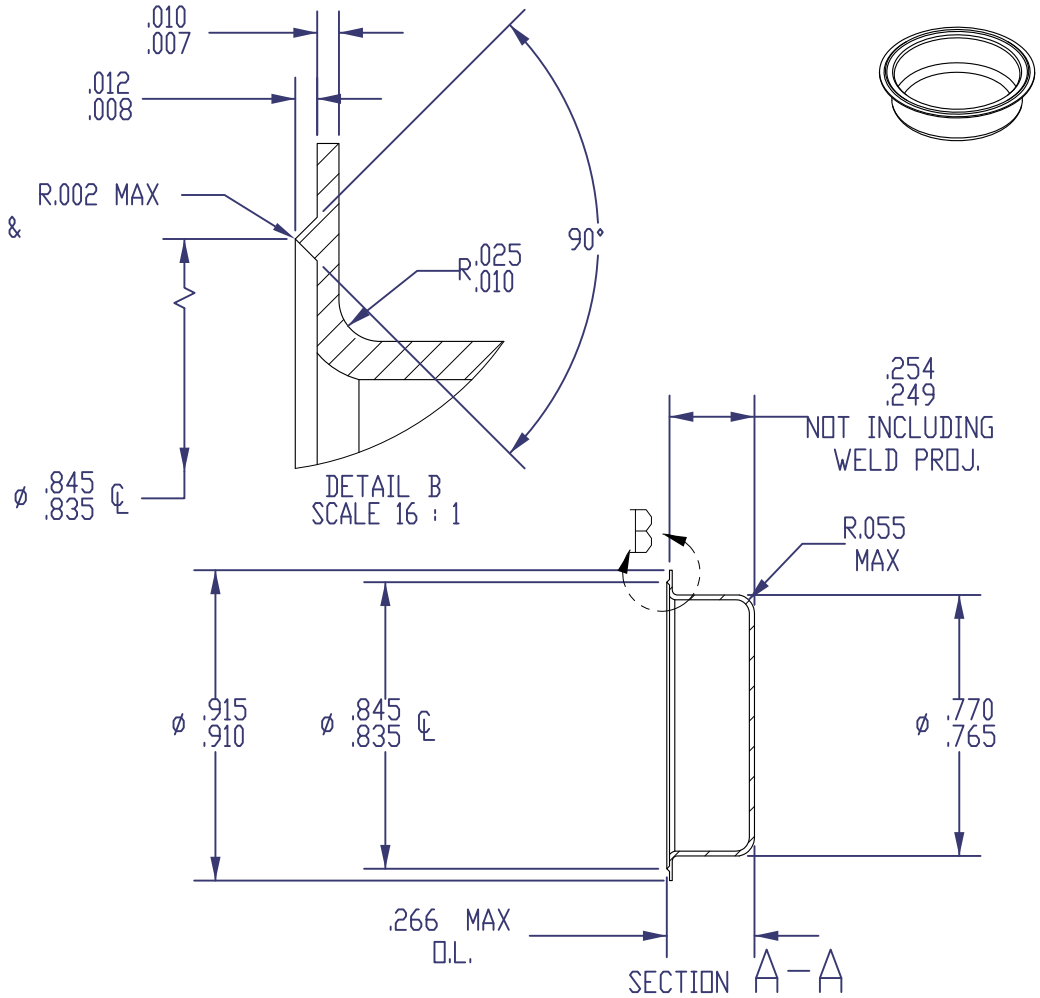
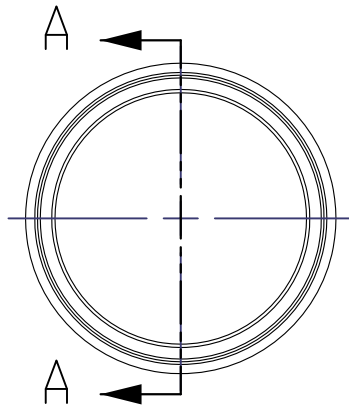


SSM P/N CAN00306

NOTES:

1. MATERIAL: GRADE A NICKEL, .015 ± .0005 STARTING GAGE
2. PARTS MUST BE FREE AND CLEAN OF CONTAMINANTS INCLUDING SOLVENTS & OILS.
3. PARTS TO BE FREE OF SCRATCHES, DENTS & BURRS PER MANUFACTURING PLANTS VISUAL STANDARDS.



				RMP# 9329			
				DESC: TO-3		CUST. #	
ENG. MGR:		SALES:		MFG. MGR:		QUAL. MGR:	
DATE:		DATE:		DATE:		DATE:	
DRAWN: F.H.G.		DATE: 9/24/14		SCALE: 2:1		COMBD:	
LET	REVISIONS	DATE	BY	DWG PER ANSI/ASME Y14.5-1994(R2004)			

