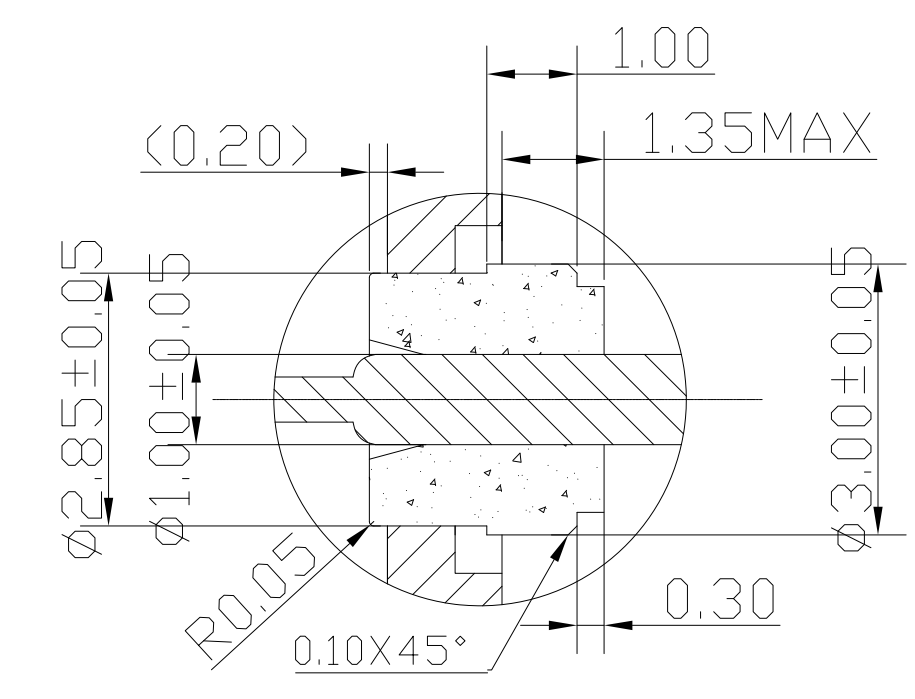
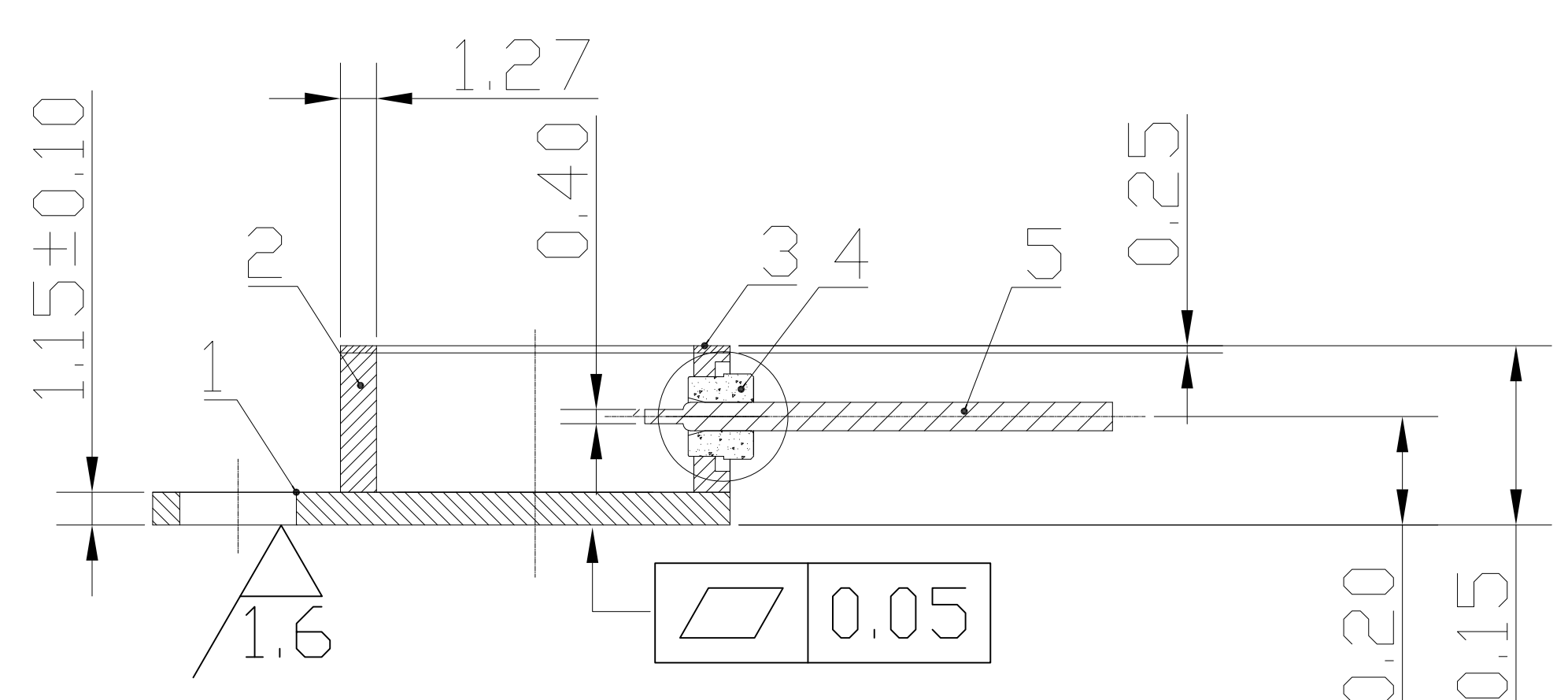


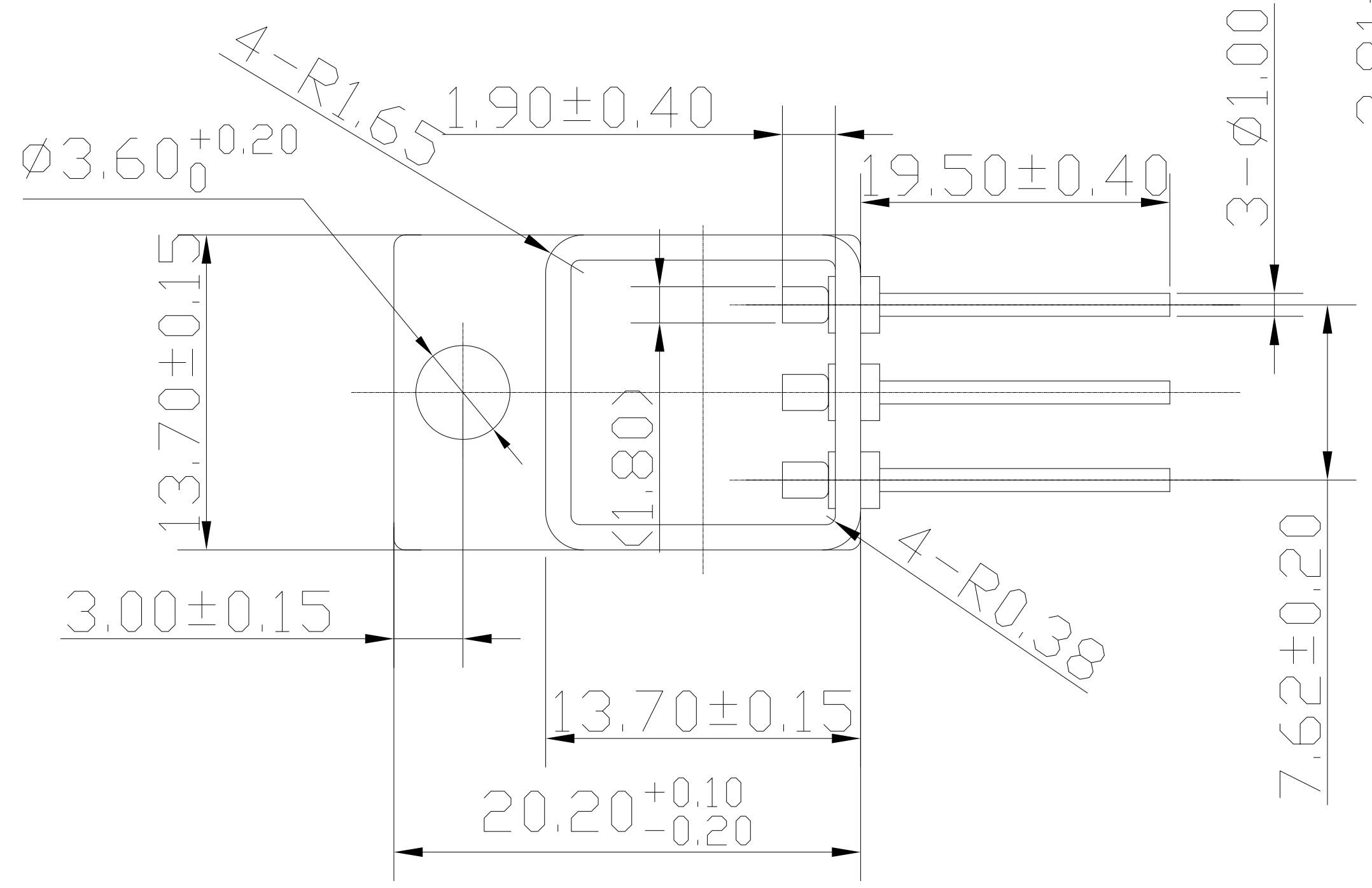
REVISIONS					
REV	ZONE	ECO #	DESCRIPTION	CHANGED BY	DATE
A			INITIAL DESIGN		02/01/2018



NOTES:

GENERAL SPECIFICATIONS COMPLY WITH MIL-STD-750E AND ARE SCREENED PER MIL-PRF-38354

1. MATERIAL: SEE BOM
2. FINAL FINISH:
50" MIN GOLD OVER 100" MIN NICKEL.
GOLD PLATING THICKNESS IS MEASURED AT THE CENTER OF EXTERNAL LEADS
3. HERMETICITY: $< 1 \times 10^{-8}$ He/sec
4. MAXIMUM LEAKAGE TO BE 100MICRODAMPS WHEN APPLIED 1200V BETWEEN THE BASE AND LEADS



BILL OF MATERIAL		
ITEM	COMPONENT NAME	RAW MATERIAL
1	BASE	W85/CU15
2	FRAME	OFHC COPPER
3	SEALING RING	KOVAR
4	CERAMIC FEEDTHRU	ENHANCED AL203 95%
5	PIN	COPPER CORED KOVAR
TOL.U.D.S	ALL DIMENSIONS ARE IN MM, STANDARD ISO 2768-1 [M]	

TITLE	CERAMIC TO254 PACKAGE, OFHC FRAME, W-CU BASE		DRAWN BY	CHECKED BY	APPROVED BY	SCALE	SHEET
P/N	150-00058-00	REVISION	A	JOHN ZHAO	BEN TONG	1 : 1	1 OF 1

